



Minipack-torre S.p.A.
Via Provinciale, 54 - 24044 Dalmine (BG) - Italy
Tel. (035) 563525
E-mail: info@minipack.it
<http://www.minipack.it>



VACUUM PACKING MACHINE

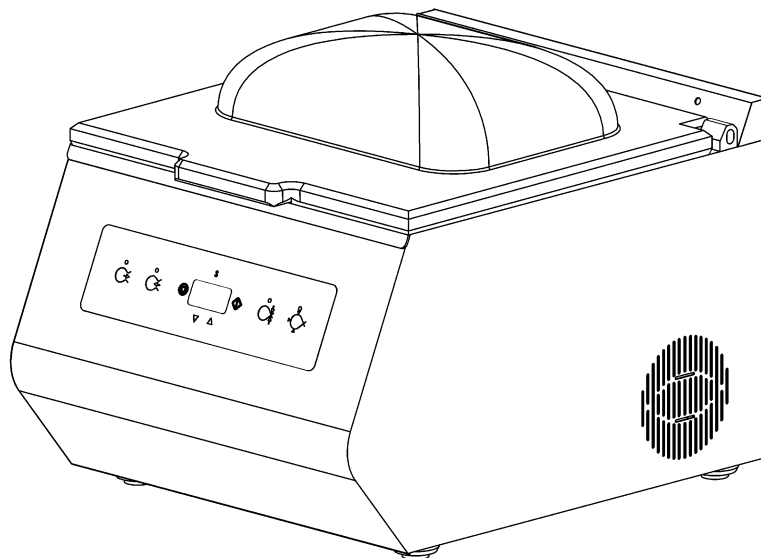
MVS31X

(Machines codes: **MV31IA32, MV31IA33, MV31IE32, MV31IE33**)

Spare parts catalogue

(Valid from serial number 2132738 dated 05.2021 for 230V)
(Valid from serial number 2132829 dated 06.2021 for 120V)

REV.03: Change pump from 8mc BUSCH to 8mc DVP



CAREFULLY READ THIS CATALOGUE BEFORE ORDERING ANY SPARE PART



DOC. N. FM112203
REV. 03
Ed: 01.2022

ITEMS DESCRIPTION

Pos.	Code	Description
1	FM080082 FM080222	Cover (for MV31IA32, MV31IE32) "Grey" cover (for MV31IA33, MV31IE33)
2	FM350200	Silicone counterbar profile
3	KR991066	Rubber gasket
4	KR310003 KR310005	Convex cover kit (for MV31IA32, MV31IE32) "Grey" cover kit (for MV31IA33, MV31IE33)
5	KR991006	Teflon kit
6	KR991003	Sealing strap kit
7	KR991004	Cutting edge kit
8	KR350024	White Teflon kit 25x1
9	FM050060	Sealing bar
10	FM340058	Bush
11	BS350002	Sealing bar group
12	FM160089	Lock nut 1/2"
13	ME450003	Membrane group
14	FE120616 FE120644	Membrane keyboard (for MV31IA32, MV31IE32) Membrane keyboard (for MV31IA33, MV31IE33)
15	FE190030	Main switch
16	FE190040	Cap for main switch
17	FE120286 FE120289	Electronic board (for MV31IA32, MV31IE32) Electronic board (for MV31IA33, MV31IE33)
18	KR350015	Hinge kit
19	FM090872	Tray
20	FM240055 FM240062	Insert plate 310x230x25 Insert plate 310x230x10 (optional)
21	FM096778	Body
22	FM096773	Rear panel
23	FM090882	Side panel
25	FM330001	Foot
26	FM730056 GM630021 FM720209 FM730057 GM630021 FM720209	Pump 8mc 230V Oil BV32 (0,5l) Exhaust filter kit Pump 8mc 120V Oil BV32 (0,5l) Exhaust filter kit
28	FM650103	Gasket OR 4106
29	FM510019	Rubber tip
30	FE140012 FE140015	Air return solenoid valve 230V Air return solenoid valve 120V
31	FM750268	Silencer 1/2"
32	FM750302	L-union m.m. 3/8"
33	FM040247	Manifold
37	FM750207	Curved union Ø6-1/8"
38	FM750253	T-union Ø6
39	FM750207	Curved union Ø6-1/8"
40	FE140014 FE140016	Sealing solenoid valve 230V Sealing solenoid valve 120V

ITEMS DESCRIPTION

Pos.	Code	Description
41	FM750220	Threaded sleeve
42	FM750207	Curved union Ø6-1/8"
43	FM750208	L-union f.f. 1/2"
44	FM750209	Rubber holder 1/2" x Ø20
45	FM160150	Washer
46	GM620046	Armovinpress tube x foodstuffs Ø6x2,5
47	GM620083	Silicon tube Øi2 Øe6
48	GM620045	Armovinpress tube x foodstuffs Ø20x2,5
50	FE440560	Transformer 200VA 230V
	FE440561	Transformer 200VA 120V
51	FE310052	In-built plug
52	FE290126	Fuse 5X20 T6.3A 230V
	FE290140	Fuse 5X20 T10A 120V ETL
53	FE310112	Power supply cable 230V
	FE310115	Power supply cable 120V

	KR310A50	Gas kit 230V (optional)
	KR310E50	Gas kit 120V (optional)
60	FM160081	Gas nozzle
61	FM750216	L-union f.f. 1/8"
62	FM750247	Straight union Ø6-1/8"
63	FE140013	Solenoid valve for gas 230V
	FE140017	Solenoid valve for gas 120V
64	FM750207	Curved union Ø6-1/8"
66	FM750213	T-union f.f.f. 1/8"
67	FM750279	Male rubber holder
68	FE470000	Pressure switch
69	FE470001	Cap for pressure switch
70	FM510005	Envelope holder rubber washer
71	GM620046	Armovinpress tube x foodstuffs Ø6x2,5

