



**Minipack-torre S.p.A.**  
Via Provinciale, 54 - 24044 Dalmine (BG) - Italy  
Tel. (035) 563525  
E-mail: info@minipack.it  
<http://www.minipack.it>



VACUUM PACKING MACHINE

# MVS45X

(Machine code: **MV45IA37**, **MV45IE37**)

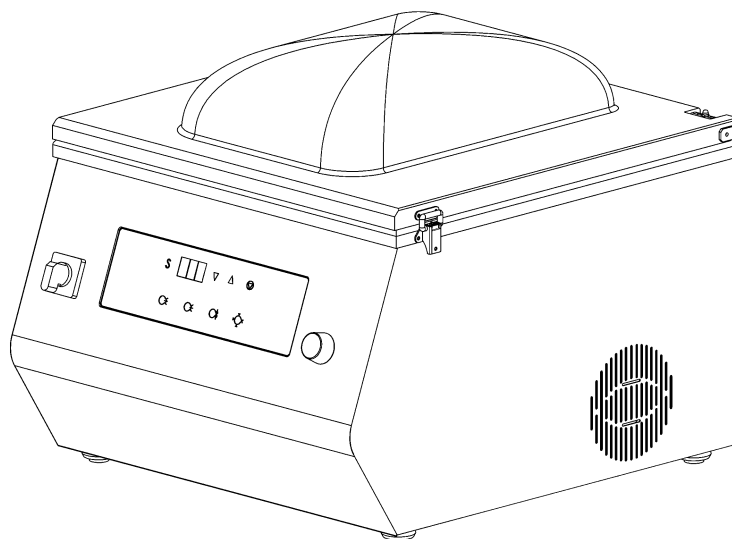
FRONT BAR VERSION

## Spare parts catalogue

(Valid from serial number 459280 dated 11.2012 for 230V version)

(Valid from serial number 459150 dated 08.2012 for 120V version)

REV. 01: Modified electrical system



CAREFULLY READ THIS CATALOGUE BEFORE ORDERING ANY SPARE PART



DOC. N. FM112214  
REV. 01  
ED. 01.2022

## ITEMS DESCRIPTION

Pos.	Code	Description
1	FM080050	Convex cover
2	FM350201	Silicone counterbar profile
3	KR991066	Rubber gasket
4	FM200080	Pin x extender
6	KR450009	Convex cover kit
7	FM200085	Hinge pin
8	KR991006	Teflon kit
9	KR991003	Sealing strap kit
10	KR991004	Cutting edge kit
11	KR991027	White Teflon kit 25x1
12	FM050061	Sealing bar
13	FM340058	Multicontact bush
14	BS450004	Sealing bar group
15	FM160089	Lock nut 1/2"
16	ME450003	Membrane group
17	FM650103	Gasket OR 4106
18	FE080000	Main switch (120V)
	FE080001	Main switch (230V)
19	FE120275	Control board
20	FM110364	Adhesive membrane for board
21	FM640032	Extender 150N run 80mm
22	KR991007	Hinge kit
23	FM090891	Tray
24	FM240051	Insert plate 450x380x30
24.1	FM240058	Insert plate 450x380x10 (optional)
25	FM091770	Body (valid from s.n. 4510836 dated 10.2014)
	FM090766 (old)	Body (valid up to s.n. 4510835 dated 09.2014)
26	FM281191	Side panel (valid from s.n. 4510836 dated 10.2014)
27	FM282393	Rear panel
29	FM330001	Foot
30	<b>FM730063</b>	<b>DVP pump 20mc 120V ETL</b>
	<b>FM730000</b>	<b>BUSCH pump 20mc 220V</b>
	GM670021	Oil VG032 x pump 230V (1lt)
	FM720238	Exhaust filter x pump
	FM720239	O-ring x exhaust filter
	<b>FM730005</b>	<b>BUSCH pump 20mc 120V ETL</b>
	GM630026	Oil VM022 x pump 120V ETL (1lt)
	FM720238	Exhaust filter x pump
	FM720239	O-ring x exhaust filter
31	FM750203	T-union 1/2" (machined)
31.1	FM750300	T-union m.f.f. 1/2"
31.2	FM750387	m.f. 1/2"-1/4" reducer
31.3	FM750013	Silencer 1/4"
32	FM750209	Rubber holder 1/2" x Ø20
33	FM750205	T-union Ø6-1/8"
34	FE140004	Air return solenoid valve
35	FM750212	Curved union 1/2"

## ITEMS DESCRIPTION

Pos.	Code	Description
36	FM750210	Curved union $\frac{3}{8}$ "
37	FM740001	Panel cock $\frac{3}{8}$ "
38	FM750207	Curved union $\text{Ø}6\text{-}\frac{1}{8}$ "
39	FM750253	T-connection $\text{Ø}6$
40	FM750207	Curved union $\text{Ø}6\text{-}\frac{1}{8}$ "
41	FE140010	Sealing solenoid valve
42	FM750220	Threaded sleeve
43	FM750207	Curved union $\text{Ø}6\text{-}\frac{1}{8}$ "
47	FM750209	Rubber holder $\frac{1}{2}$ " x $\text{Ø}20$
49	FM630020	Hook + plate for cover
50	GM620045	Armovinpress tube x foodstuffs $\text{Ø}20 \times 2,5$
51	GM620046	Armovinpress tube x foodstuffs $\text{Ø}6 \times 2,5$
52	GM620043	PVC tube $\text{Ø}12 \times 2,5$
61	FE220147	Microswitch
64	FE440803	Transformer 250VA (230V)
	FE440804	Transformer 250VA (120V ETL)
65	FE440836	Transformer 60VA (230V)
	FE440835	Transformer 60VA (120V ETL)
66	FE290404	Fuse 10.3X38 AM 8A (230V)
	FE290701	Fuse 10.3X38 FNQ 15A 500V (120V ETL)
67	FE110310	Contacteur (230V)
	FE110306	Contacteur (120V ETL)
68	FE290114	Fuse 5x20 T 500mA (230V)
	FE290170	Fuse 5x20 T-Q 1A (120V ETL)
69	FE120013	Thermal 7A (230V)
	FE120016	Thermal 18A (120V ETL)
70	FE120016	Thermal 18A

	<b>KR450A00</b>	<b>Gas kit (optional)</b>
80	FM160081	Gas nozzle
81	FM750216	L-union f.f. $\frac{1}{8}$ "
82	FM750247	Straight union $\text{Ø}6\text{-}\frac{1}{8}$ "
83	FM750253	T-union $\text{Ø}6$
84	FM750207	Curved union $\text{Ø}6\text{-}\frac{1}{8}$ "
85	FE140003	Solenoid valve for gas
86	FM750207	Curved union $\text{Ø}6\text{-}\frac{1}{8}$ "
87	FM750207	Curved union $\text{Ø}6\text{-}\frac{1}{8}$ "
88	FM750213	T-union f.f.f. $\frac{1}{8}$ "
89	FE470000	Pressure switch
90	FE470001	Cap for pressure switch
91	FM750279	Male rubber holder
92	FM510006	Envelope holder rubber washer
93	GM620046	Armovinpress tube x foodstuffs $\text{Ø}6 \times 2,5$

