



minipack

Minipack-torre S.p.A.

Via Provinciale, 54 - 24044 Dalmine (BG) - Italy

Tel. (035) 563525

E-mail: info@minipack.it

<http://www.minipack.it>



VACUUM PACKING MACHINE

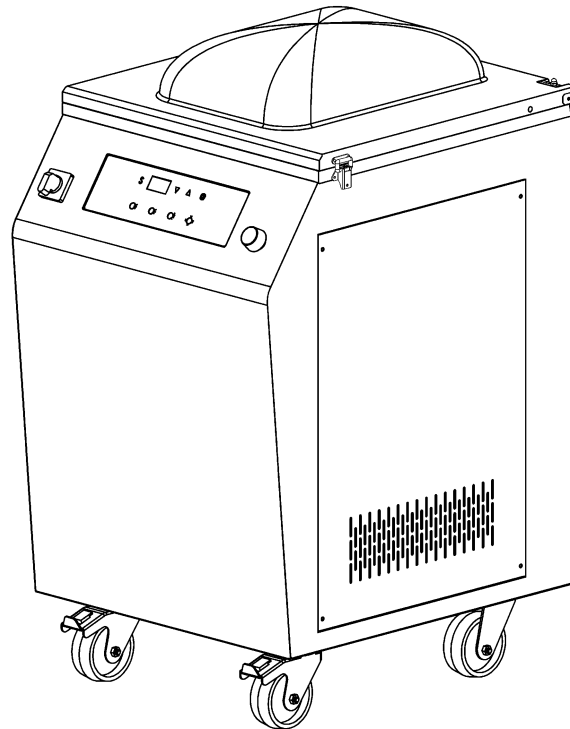
MVS45L X

(Machine code: **MV45IA74**, **MV45IE74**)

2 SIDE BARS VERSION

Spare parts catalogue

(Valid from serial number 458260 dated 06.2011)



CAREFULLY READ THIS CATALOGUE BEFORE ORDERING ANY SPARE PART



DOC. N. FM112217
REV. 0
Ed: 01.2022

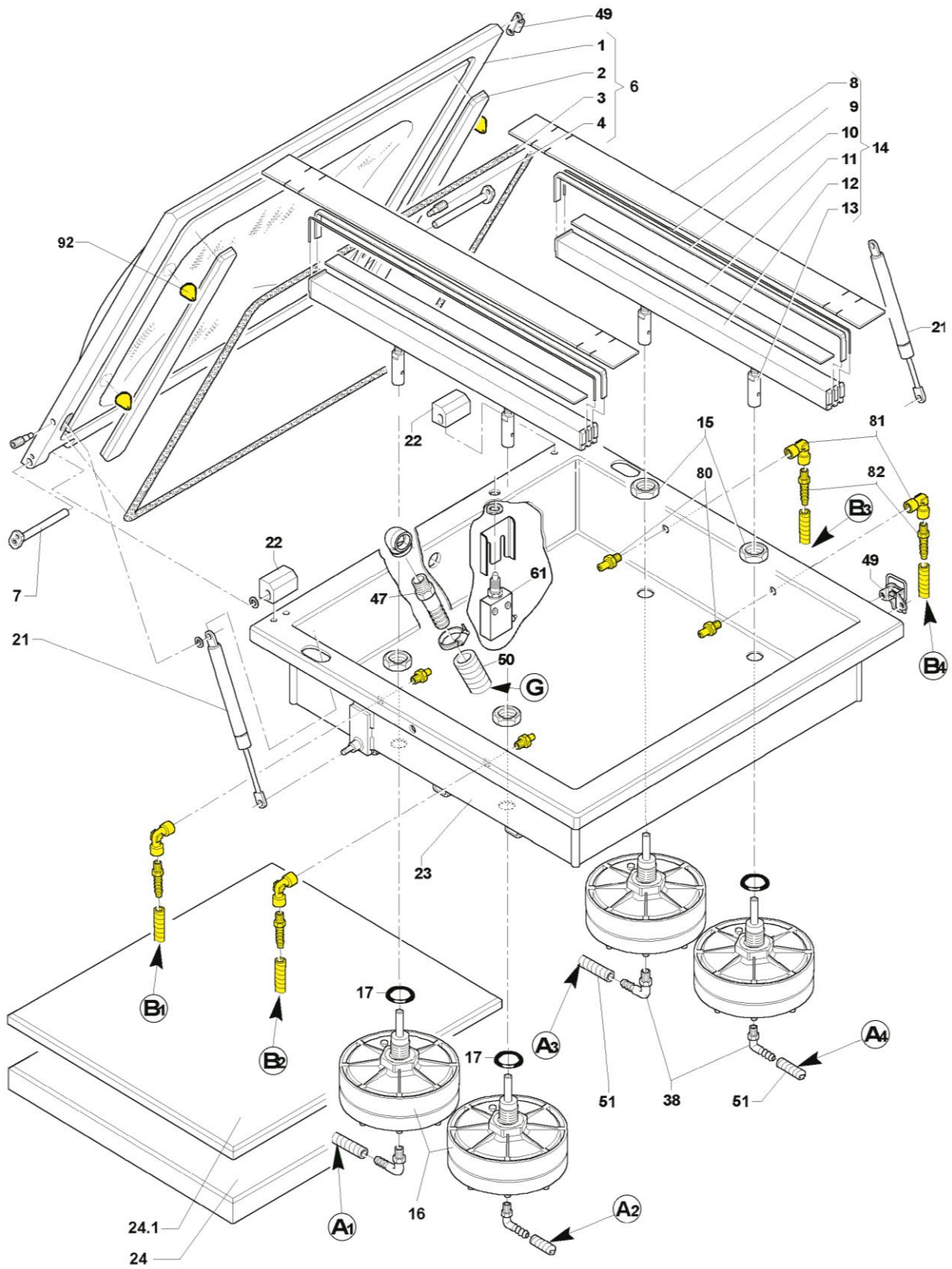
ITEMS DESCRIPTION

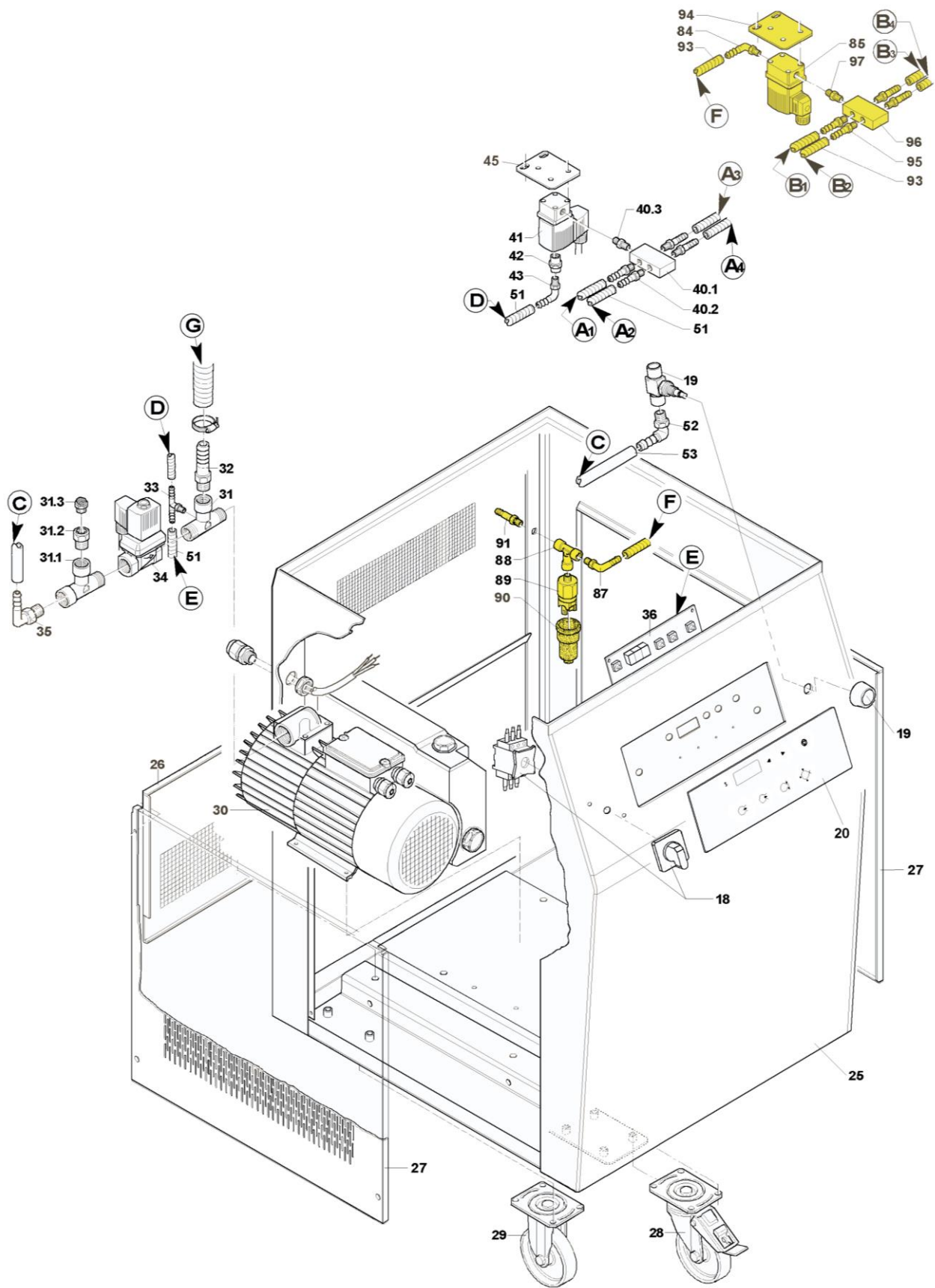
Pos.	Code	Description
1	FM080064	Convex cover
2	FM350201	Silicone counterbar profile
3	KR991066	Rubber gasket
4	FM200080	Extender pin
6	KR450008	Convex cover kit
7	FM200085	Hinge pin
8	KR991006	Teflon kit
9	KR991003	Sealing strap kit
10	KR991004	Cutting edge kit
11	KR991027	White teflon kit 25x1
12	FM050061	Sealing bar
13	FM340058	Multicontact bush
14	BS450004	Sealing bar group
15	FM160089	Lock nut ½"
16	ME450003	Membrane group
17	FM650103	Gasket OR 4106
18	FE080001	Main switch (230V)
	FE080000	Main switch (120V ETL)
19	FM740001	Air re-immission adjusting device
20	FM110364	Adhesive membrane for board
21	FM640032	Extender 150N run 80mm
22	KR991007	Hinge kit
23	FM090892	Tray
24	FM240056	Insert plate 450x320x30
24.1	FM240063	Insert plate 450x320x10 (optional)
25	FM090937	Body
26	FM095901	Rear panel
27	FM095900	Side panel
28	FM770541	Swivel wheel with brake
29	FM770540	Fixed wheel
30	FM730063	DVP pump 20mc 120V ETL
	FM730000	BUSCH pump 20mc 220V
	GM670021	Oil VG032 x pump 230V (1lt)
	FM720238	Exhaust filter x pump
	FM720239	O-ring x exhaust filter
	FM730005	BUSCH pump 20mc 120V ETL
	GM630026	Oil VM022 x pump 120V ETL (1lt)
	FM720238	Exhaust filter x pump
	FM720239	O-ring x exhaust filter
31	FM750203	T union machined
31.1	FM750300	T-union m.f.f. ½"
31.2	FM750387	m.f. ½"-¼" reducer
31.3	FM750013	Silencer ¼"
32	FM750209	Rubber holder ½" x Ø20
33	FM750205	T-union Ø6-⅝"
34	FE140004	Air return solenoid valve
35	FM750212	Curved union ½"

ITEMS DESCRIPTION

Pos.	Code	Description
36	FE120275	Control board
38	FM750207	Curved union Ø6-1/8"
40.1	FM040072	Manifold
40.2	FM750247	Straight union Ø6-1/8"
40.3	FM750224	Nipple 1/8"
41	FE140010	Sealing solenoid valve
42	FM750220	Threaded sleeve
43	FM750207	Curved union Ø6-1/8"
45	FM280043	Solenoid valve plate
47	FM750209	Rubber holder 1/2" x Ø20
49	FM630020	Hook + plate for cover
50	GM620045	Armoinpress tube for foodstuffs Ø20x2,5
51	GM620046	Armoinpress tube for foodstuffs Ø6x2,5
52	FM750210	Curved union 3/8"
53	GM620043	PVC tube Ø12x2,5
61	FE220147	Microswitch
65	FE190109	(230V) Automatic switch
	FE190111	(120V ETL) Automatic switch
66	FE290410	Fuse 10.3X38 AM 0,5A (230V)
	FE290703	Fuse 10.3X38 FNM 1A 250V (120V ETL)
67	FE190028	(230V) Automatic switch 6-10A
	FE190029	(120V) Automatic switch 13-18A
68	FE420301	Safety timer
69	FE190100	Release coil
70	FE110310	(230V) Contactor
	FE110306	(120V ETL) Contactor
71	FE440821	Transformer 250VA 230/24+24V
	FE440822	Transformer 250VA 120/24+24V ETL
72	FE440836	Transformer 60VA 230-18V
	FE440835	Transformer 60VA 120-18V ETL
73	FE120013	Thermal 7A (230V)
	FE120016	Thermal 18A (120V ETL)
74	FE120016	Thermal 18A
75	FE440821	Transformer 250VA (230/24+24V)
	FE440822	Transformer 250VA (120/24+24V ETL)
76	FE110310	Contacteur (230V)
	FE110306	Contacteur (120V ETL)
77	FE290114	Fuse 5X20 T 500mA (230V)
	FE290170	Fuse 5X20 T-Q 1A (120V ETL)
78	FE290405	Fuse 10.3X38 AM 10A (230V)
	FE290708	Fuse 10.3X38 FNQ 20A (120V ETL)
79	FE440836	Transformer 60VA (230-18V)
	FE440835	Transformer 60VA (120-18V ETL)

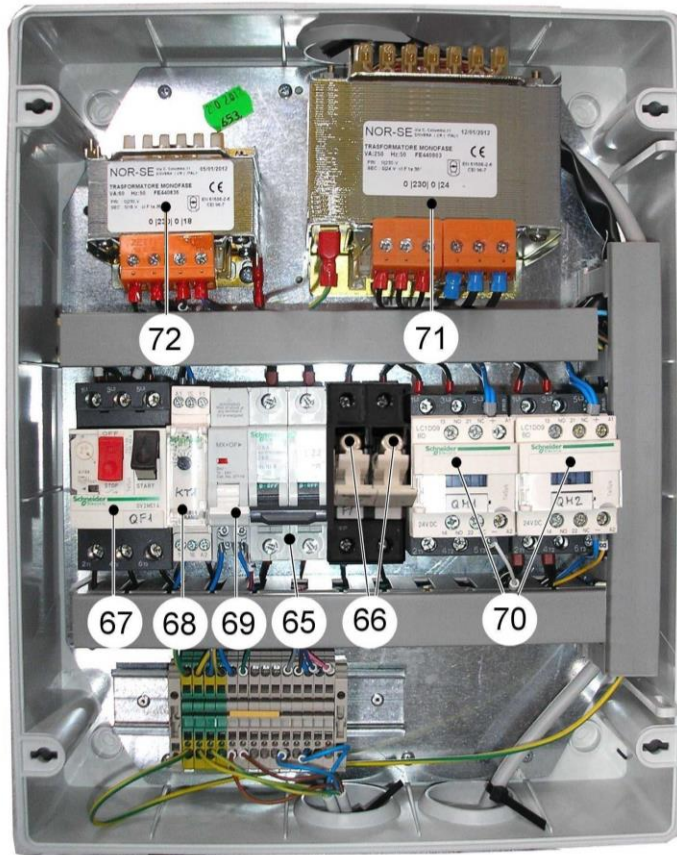
	KR450A10	Gas kit (optional)
80	FM160081	Gas nozzle
81	FM750216	L-union f.f. 1/8"
82	FM750247	Straight union Ø6-1/8"
84	FM750207	Curved union Ø6-1/8"
85	FE140003	Gas solenoid valve
87	FM750207	Curved union Ø6-1/8"
88	FM750213	T-union f.f.f. 1/8"
89	FE470000	Pressure switch
90	FE470001	Cap for pressure switch
91	FM750279	Male rubber holder
92	FM510006	Envelope holder rubber washer
93	GM620046	Armoinpress tube for foodstuffs Ø6x2,5
94	FM280043	Solenoid valve plate
95	FM750247	Straight union Ø6-1/8"
96	FM040072	Manifold
97	FM750224	Nipple 1/8"





230V Version: Valid up to serial number 459142 dated 07.2012.
120V Version: Valid up to serial number 459367 dated 02.2013.

CE450A28 (230V) / CE450E28 (120V)



230V Version: Valid from serial number 459143 dated 07.2012.
120V Version: Valid from serial number 459368 dated 02.2013.

CE450A37 (230V) / CE450E37 (120V)

