



Minipack-torre S.p.A.
Via Provinciale, 54 - 24044 Dalmine (BG) - Italy
Tel. (035) 563525
E-mail: info@minipack.it
<http://www.minipack.it>



VACUUM PACKING MACHINE

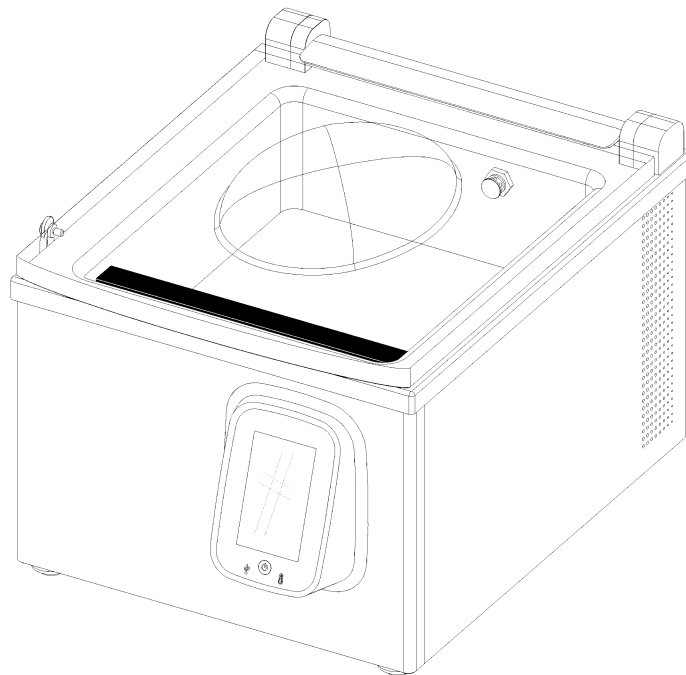
MX 3

(Machine codes: **MV23IA01 / MV23IE01**)

FRONT BAR VERSION

Spare parts catalogue

(Valid from serial number 2133905 dated 08.2021 for 120V)



CAREFULLY READ THIS CATALOGUE BEFORE ORDERING ANY SPARE PART



DOC. N. FM112361
REV. 0
ED. 09.2022

ITEMS DESCRIPTION

Pos.	Code	Description
1	KR231051	Cover kit
1.01	FM080233	Cover
1.02	FM350239	Counter-bar profile
1.03	KR991066	Gasket (2 m)
1.04	FM630093	Cover profile
1.05	FM200527	Left pin
1.06	FM200528	Right pin
2	FM630089	Internal hinge
3	FM160518	Washer
4	FM060194	Cover lever
5	FM640031	Gas spring
6	FM630090	Hexternal hinge
7	BS310021	Front sealing bar
8	FM240088	Insert plate
9	FM750357	Straight fitting 1/2" - Ø12
10	FM750274	Cylinder M-F Red. 1/2"-3/4"
11	FM750257	Gasket 1/4" PVC
12	FM160788	Suction cap
13	FM091760	Tray
14	FM650103	Gasket OR 4106
15	ME350003	Membrane group
16	FM630094	Magnet
30	FM091769	Rear stainless steel panel
	FM091819	Rear grey RAL7016 panel
31	FM091768	Right side stainless steel panel
	FM091817	Right side grey RAL7016 panel
32	FM091766	Left side stainless steel panel
	FM091818	Left side grey RAL7016 panel
33	FM091767	Front stainless steel panel (120V)
	FM091821	Front grey RAL7016 panel (120V)
	FM091815	Front inox panel (230V)
	FM091820	Front grey RAL7016 panel (230V)
34	FM330001	Adjusting foot
35	P0K01430	Display group (120V)
35.01	FE120424	Display+board kit
35.02	FM230197	Display dashboard
35.03	FM110490	Membrane
35	P0K01471	Display group (230V)
35.01	-	Display+board kit
35.02	FM230191	Display dashboard
35.03	-	Membrane
36	FM630105	Cover hook
37	FM730057	Vacuum pump 8mc (120V)
	FM730056	Vacuum pump 8mc (230V)
38	FM750302	L-union m.m. G3/8"
39	FM750264	Cilynd. reducer m.f. 1/2"-3/8"
40	FM750411	T-union f.m.f. 1/2"
41	FM750212	Male elbow 1/2" - Ø12
42	FE140004	Solenoid valve
43	FM750268	Silencer
44	FE140010	Solenoid valve
45	FM750220	Threaded sleeve

ITEMS DESCRIPTION

Pos.	Code	Description
50	FE120428	Main board (120V)
	FE290140	Fuse 5x20T 10A UL
	FE120431	Main board (230V)
	FE290128	Fuse 5x20T 10A
51	FE440842	Transformer 400VA (120V)
	FE440841	Transformer 400VA (230V)
52	FE120019	Thermal 30A
53	FE110316	Contactactor (120V)
	FE110508	Contactactor (230V)
54	FE190030	Bipolar switch
55	FE290254	Fusibile 6,3x32 T10A UL (120V)
	FE290256	Fusibile 6,3x32 T6A UL (230V)
56	P0K01443	Sensor
57	FM510226	Support
58	P0K01444	Fan (120V)
	P0K01473	Fan (230V)

