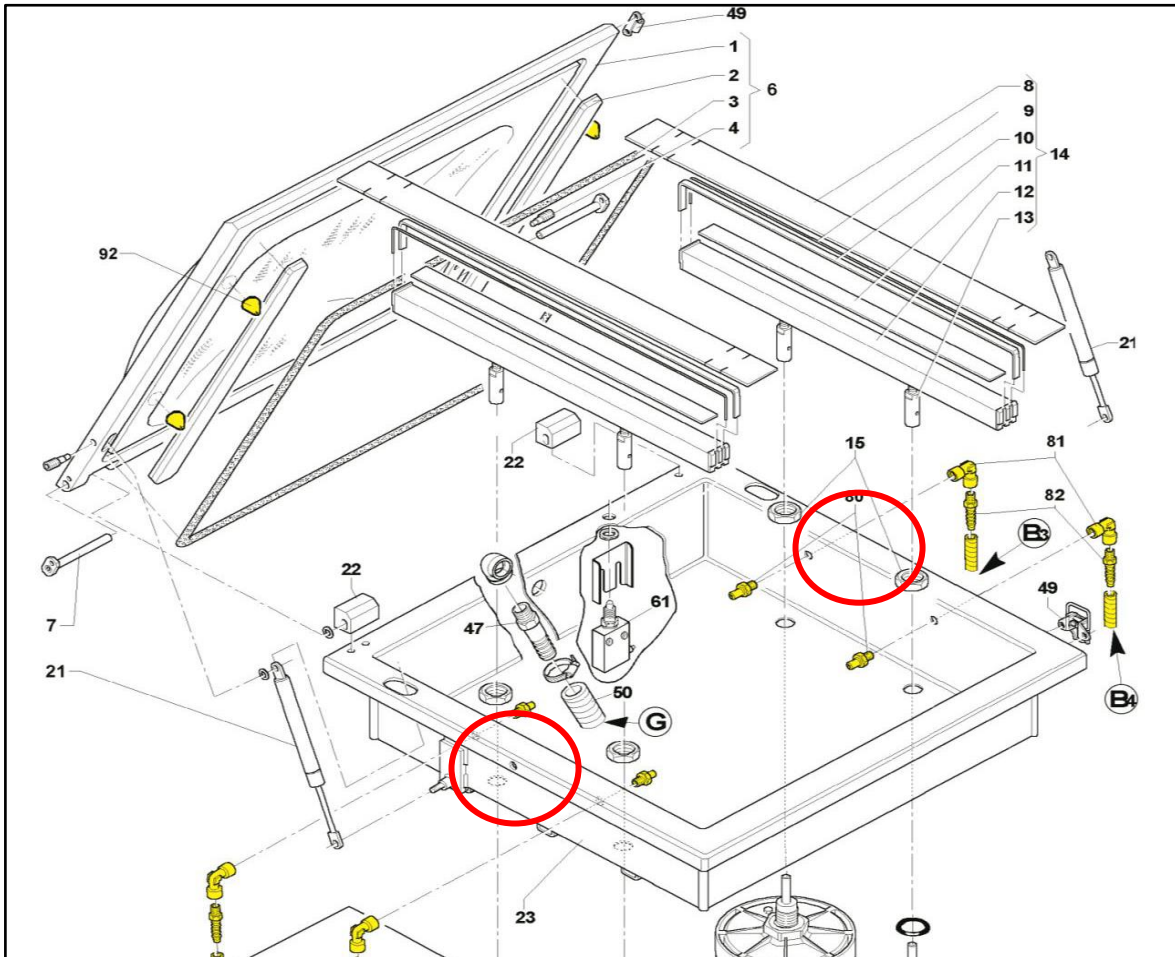


MVS 45 Series

How to remove chamber



1. Remove the left and right outside lips chamber-to-body mounting screws using a 2.5 mm hex wrench (refer to red circles in picture above).
2. Carefully lift out/up the chamber about 8 inches, spin 45 degrees counter clock wise, and rest the chamber on the body top edges.
3. Disconnect the main vacuum hose from rear of chamber.
4. Disconnect the lid switch wires.
4. Disconnect the seal bladders wires.
5. Disconnect the hose to the T-fitting of the seal bladders.
6. Carefuy remove the chamber from the body.

Minipack does not assume any responsibility or liability for the advice given and shall not be liable for any direct, indirect, special, incidental or consequential damages in connection with the use of this information.