



Minipack-torre S.p.A.
Via Provinciale, 54 - 24044 Dalmine (BG) - Italy
Tel. (035) 563525
E-mail: info@minipack.it
<http://www.minipack.it>



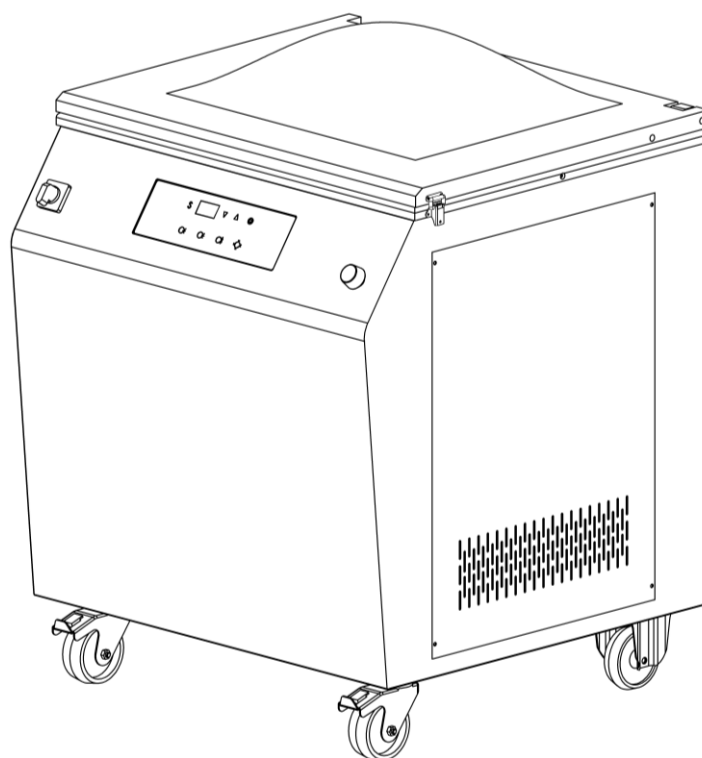
VACUUM PACKING MACHINE

MVS50 X

2 SIDE BARS VERSION

Spare parts catalogue

(Valid from serial number 50978 dated 09.2011)



CAREFULLY READ THIS CATALOGUE BEFORE ORDERING ANY SPARE PART



DOC. N. FM112218
REV. 0
ED. 01.2022

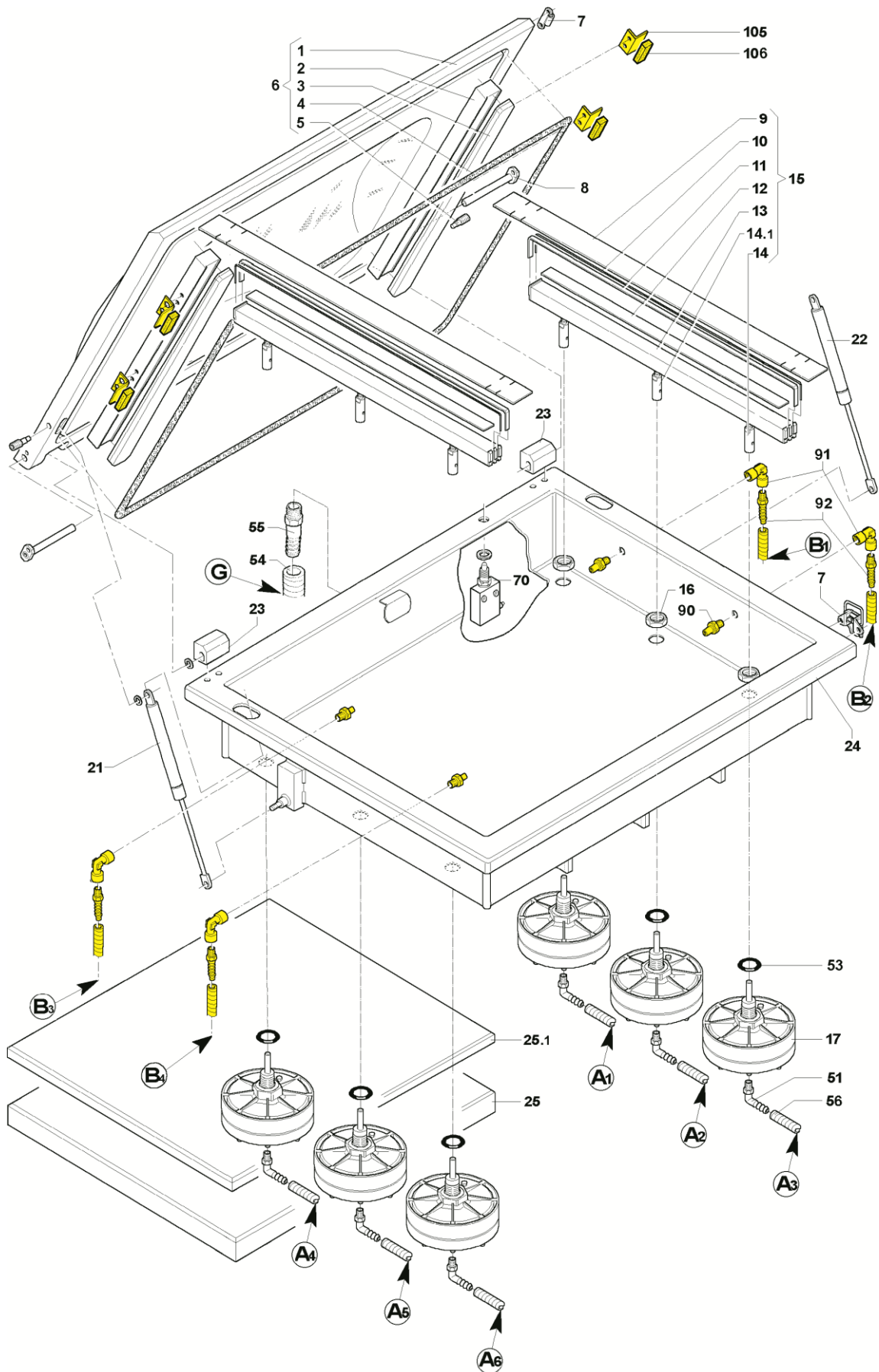
ITEMS DESCRIPTION

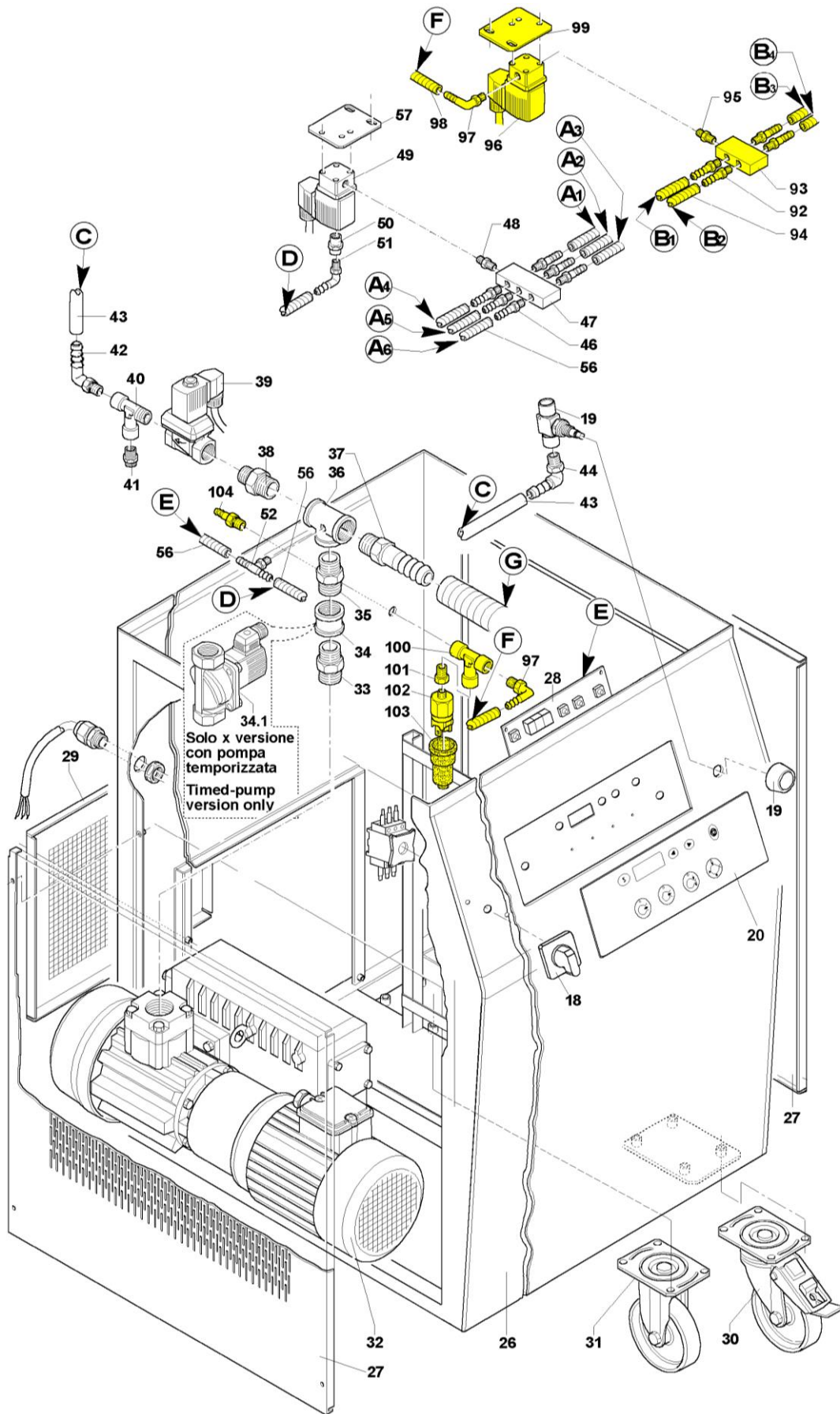
Pos.	Code	Description
1	FM080052	Convex cover
2	KR991042	Aluminium counterbar kit
3	FM350203	Silicone counterbar profile
4	KR991068	Rubber gasket
5	FM200081	Pin x extender
6	KR500011	2 side bars cover kit
7	FM630020	Hook + plate for cover
8	FM200087	Hinge pin
9	KR991060	Teflon kit (quantity for 1 bar)
10	KR991015	Cutting edge kit (quantity for 1 bar)
11	KR991013	Sealing strap kit (quantity for 1 bar)
12	KR991063	White Teflon kit 25x1 (quantity for 1 bar)
13	FM050067	Sealing bar
14	FM340060	Multicontact bush
14.1	FM200212	Pin x membrane
15	BS500010	Sealing bar group
16	FM160089	Lock nut 1/2"
17	ME450003	Membrane group
18	FE080001	Main switch 20A
19	FM740001	Air re-immission adjusting device
20	FM110364	Membrane
21	FM640033	Extender 300N run 80mm
22	FM640033	Extender 300N run 80mm
23	KR991008	Hinge kit
24	FM090457	Tray
25	FM240071	Insert plate 550x465x30
25.1	FM240076	Insert plate 550x465x10 (optional)
26	FM096287	Body
27	FM095903	Side panel
28	FE120275	Electronic board
	FE120276	Timed electronic board
29	FM095349	Rear panel
30	FM770541	Wheel swivel plate with brake
31	FM770540	Wheel fixed plate
32	FM730001	Pump 40mc 230-400V 3Ph
	GM670023	Oil VG100 (1lt)
	FM720245	Exhaust filter x pump
	FM720246	O-ring x exhaust filter
	FM730008	Pump 40mc 220V 1Ph ETL
	GM630026	Oil VM022 x low temperature (1lt)
	FM720245	Exhaust filter x pump
	FM720246	O-ring x exhaust filter
	FM730023	Pump 40mc 208-440V 3Ph ETL
	GM670023	Oil VG100 (1lt)
	FM720245	Exhaust filter x pump
	FM720246	O-ring x exhaust filter
33	FM740100	Nipple 1" (standard version only)
	FM750278	Nipple 1"1/4"-1" (208V ETL only)
34	FM740002	Sleeve 1" (standard version only)
34.1	FE140063	Vacuum solenoid valve (timed-pump version only)
35	FM740100	Nipple 1"
36	FM750202	T-union f.f.f. 1" (machined)
37	FM750260	Rubber holder 1" x Ø30
38	FM750206	Reducer nipple 1"-1/2"
39	FE140004	Air return solenoid valve
40	FM750300	T-union m.f.f. 1/2"
41	FM750268	Silencer 1/2"
42	FM750212	Curved union 1/2"
43	GM620043	PVC tube Ø12x2,5
44	FM750210	Curved union 3/8"

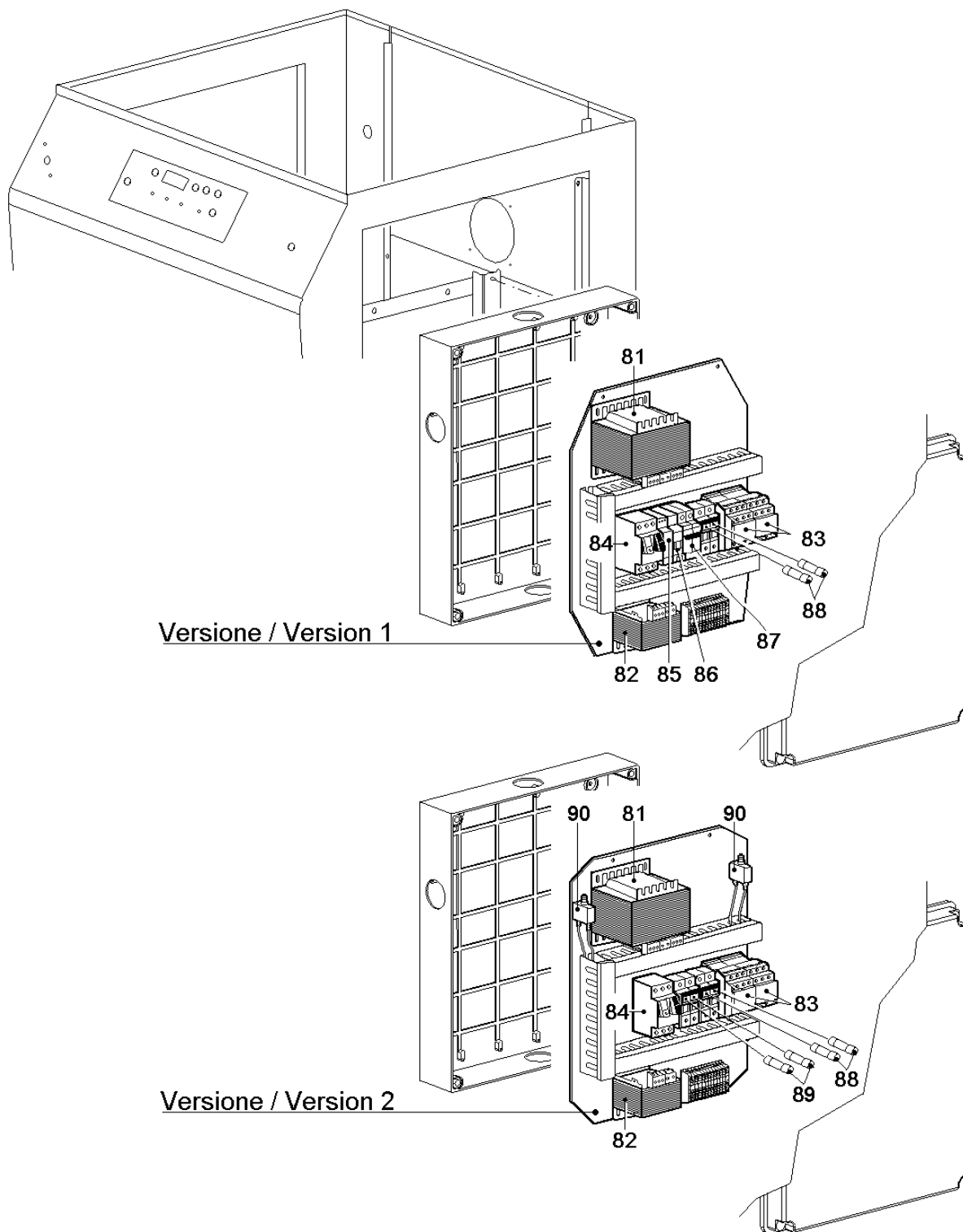
ITEMS DESCRIPTION

Pos.	Code	Description
46	FM750247	Straight union Ø6-1/8"
47	FM040071	Manifold
48	FM750224	Nipple 1/8"
49	FE140010	Sealing solenoid valve
50	FM750220	Threaded sleeve
51	FM750207	Curved union Ø6-1/8"
52	FM750205	T-union Ø6-1/8"
53	FM650103	Gasket OR 4106
54	GM620061	Tube x foodstuffs Ø30x4,8
55	FM750260	Rubber holder 1" x Ø30
56	GM620046	Armovinpress tube x foodstuffs Ø6x2,5
57	FM280043	Solenoid valve plate
70	FE220147	Microswitch
81	FE440823	Transformer 500VA (400V)
	FE440824	Transformer 500VA (208-220V ETL)
82	FE440837	Transformer 60VA (400V)
	FE440838	Transformer 60VA (208-220V ETL)
83	FE110310	Contactor LC1-D09BD (400V)
	FE110306	Contactor LC1-D18BD (208-220V ETL)
84	FE190024	Automatic switch 2,5-4A (400V)
	FE190028	Automatic switch 6-10A (208V ETL)
	FE190029	Automatic switch 13-18A (220V ETL)
85	FE420302	Safety timer (400V)
	FE420301	Safety timer (208-220V ETL)
86	FE190100	Release coil
87	FE190103	Automatic switch (400V)
	FE190109	Automatic switch (208-220V ETL)
88	FE290410	Fuse 10.3X38 AM 0,5A (400V)
	FE290703	Fuse 10.3X38 FNM 1A (208-220V ETL)
89	FE290403	Fuse 10.3X38 AM 6A (400V)
	FE290702	Fuse 10.3X38 FNM 10A (208-220V ETL)
90	FE120011	Thermal 15A

	KR500A00	Gas kit (optional)
90	FM160081	Gas nozzle
91	FM750216	L-union f.f. 1/8"
92	FM750247	Straight union Ø6-1/8"
93	FM040072	Manifold
94	GM620046	Armovinpress tube x foodstuffs Ø6x2,5
95	FM750250	Nipple 1/4"-1/8"
96	FE140018	Solenoid valve for gas
97	FM750245	Curved union Ø8-1/4"
98	GM620047	Armovinpress tube x foodstuffs Ø8x2,7
99	FM280043	Solenoid valve plate
100	FM750218	T-union f.f.f. 1/4"
101	FM750284	Reducer m.f. 1/4"-1/8"
102	FE470000	Pressure switch
103	FE470001	Cap for pressure switch
104	FM750323	Male rubber holder 1/4"
105	FM290457	Envelope holder rubber washer square
106	FM350077	Envelope holder rubber washer







Version 1: sealing bar protection with safety timer

	(220V/60Hz 1Ph)	(400V 3Ph)	(208V 3Ph)
Valid up to s.n.	51077	51070	51066

Version 2: sealing bar protection with thermal

	(220V/60Hz 1Ph)	(400V 3Ph)	(208V 3Ph)
Valid from s.n.	51078 (10.2013)	51071 (07.2013)	51067 (07.2013)