



**Minipack-torre S.p.A.**  
Via Provinciale, 54 - 24044 Dalmine (BG) - Italy  
Tel. (035) 563525  
E-mail: info@minipack.it  
<http://www.minipack.it>



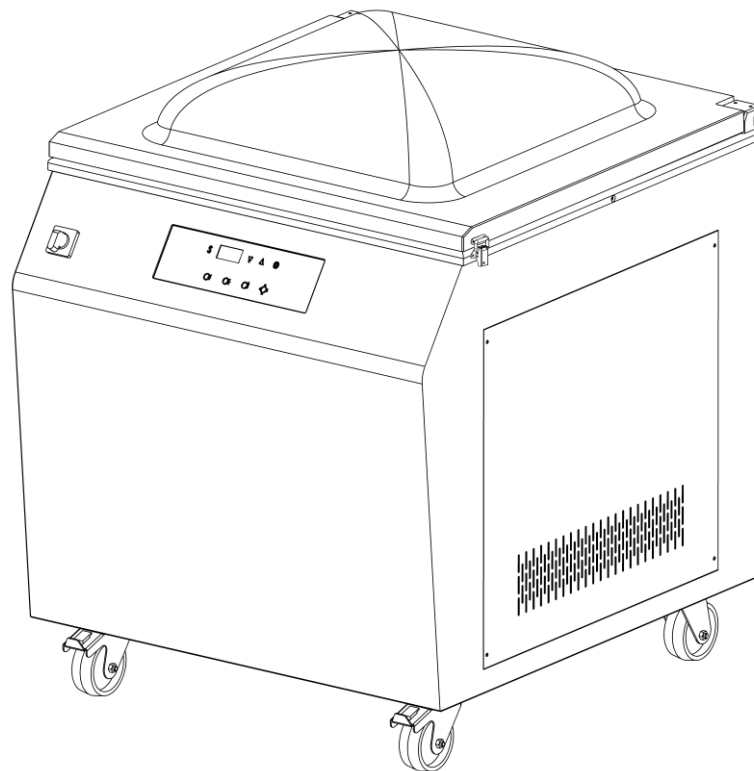
VACUUM PACKING MACHINE

# MVS65 X

2 SIDE BARS VERSION

## Spare parts catalogue

(Valid from serial number 650314 dated 07.2011)



CAREFULLY READ THIS CATALOGUE BEFORE ORDERING ANY SPARE PART



DOC. FM112219  
REV. 0  
Ed: 01.2022

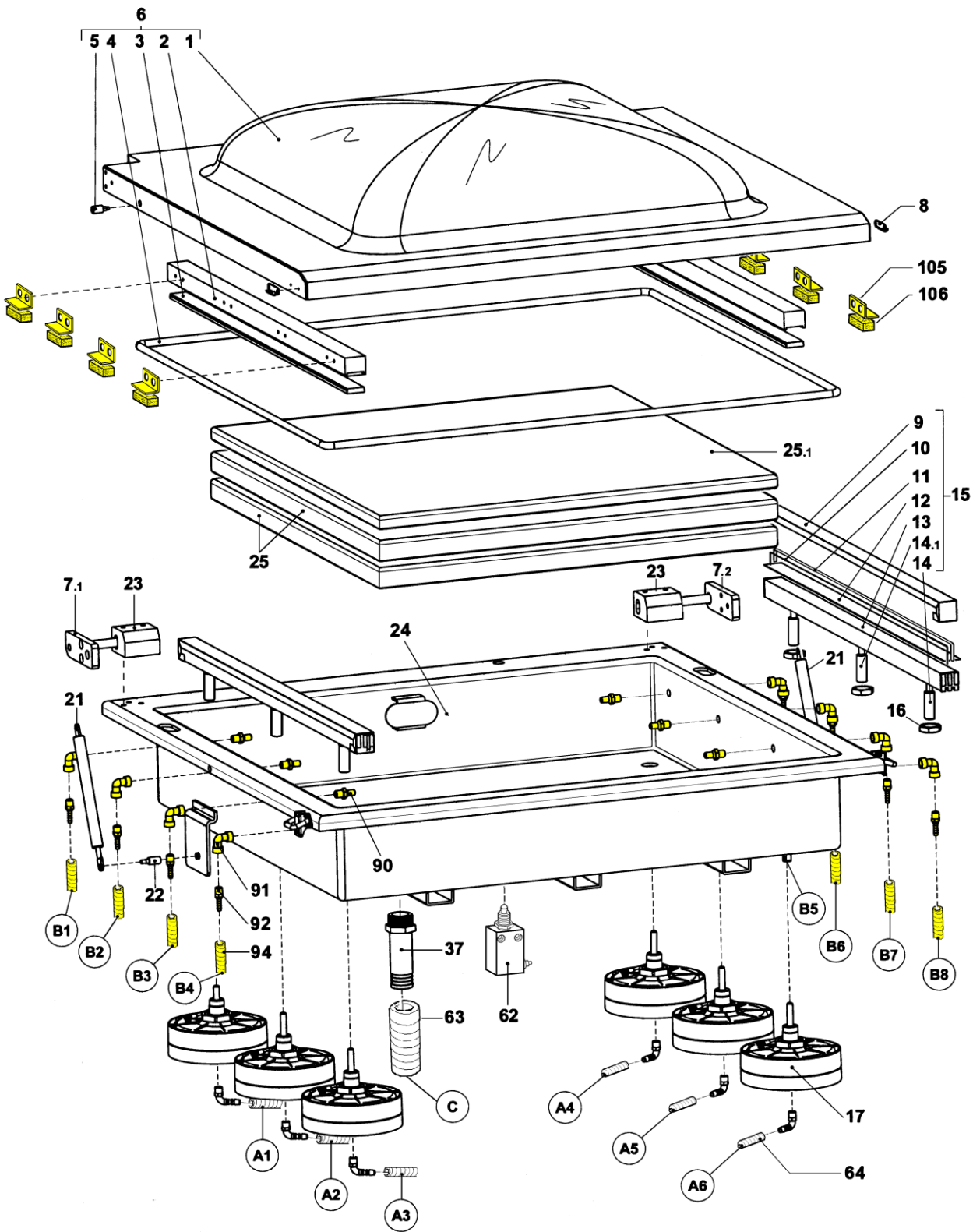
## ITEMS DESCRIPTION

Pos.	Code	Description
1	FM080083 FM080084	Convex cover h=120mm Convex cover h=160mm (optional)
2	KR991051	Aluminium counterbar kit
3	FM350204	Silicone counterbar profile
4	KR991068	Rubber gasket
5	FM200081	Pin for extender
6	KR650002	Convex cover kit h=120mm
7.1	FM200264	Hinge left pin
7.2	FM200263	Hinge right pin
8	FM630020	Hook + plate for cover
9	KR991060	Teflon kit (quantity for 1 bar)
10	KR991015	Cutting edge kit (quantity for 1 bar)
11	KR991013	Sealing strap kit (quantity for 1 bar)
12	KR991063	White teflon kit 25x1 (quantity for 1 bar)
13	FM050062	Sealing bar
14	FM340060	Multicontact bush
14.1	FM200212	Pin x membrane
15	BS500005	Sealing bar group
16	FM160089	Gas lock nut 1/2"
17	ME450003	Membrane group
18	FM110364	Adhesive label
19	FE080001 FE080000	Main switch 20A (208-400V 3Ph) Main switch 32A (220V 1Ph)
20	FE120276	Control board
21	FM640067	Extender 400N run 150mm (valid from serial number 650330 dated 02.2012)
	FM640062 old	Extender 400N run 120mm (valid up to serial number 650329 dated 02.2012)
22	FM200111	Pin for extender
23	KR991020	Hinge kit
24	FM090449	Tray
25	FM240068	Insert plate 620x580x30
25.1	FM240069	Insert plate 620x580x10 (optional)
27	FM090939	Body
28	FM095906	Side panel
29	FM095349	Rear panel
30	FM770535	Swivel wheel with brake
31	FM770537	Swivel wheel
32	<b>FM730002</b> GM670023 FM720245 FM720246  <b>FM730024</b> GM670023 FM720245 FM720246  <b>FM730025</b> GM670026 FM720245 FM720246  <b>FM730019</b> GM670023 FM720247 FM720246	<b>Pump 63mc 3Ph (400V)</b> Oil VG100 x pump 63/100mc (1lt) Exhaust filter x pump 63mc O-ring x exhaust filter  <b>Pump 63mc 3Ph ETL (208V)</b> Oil VG100 x pump 63/100mc (1lt) Exhaust filter x pump 63mc O-ring x exhaust filter  <b>Pump 63mc 1Ph ETL (220V/60Hz)</b> Oil VM022 x pump 63/100mc (1lt) Exhaust filter x pump 63mc O-ring x exhaust filter  <b>Pump 100mc 3F ETL (208V)</b> Oil VG100 x pump 63/100mc (1lt) Exhaust filter x pump 100mc O-ring x exhaust filter
33	FM750278 FM740100	Nipple 1"-1 1/4" (208-220V) Nipple "1" (400V)
34	FE140063	Vacuum solenoid valve

## ITEMS DESCRIPTION

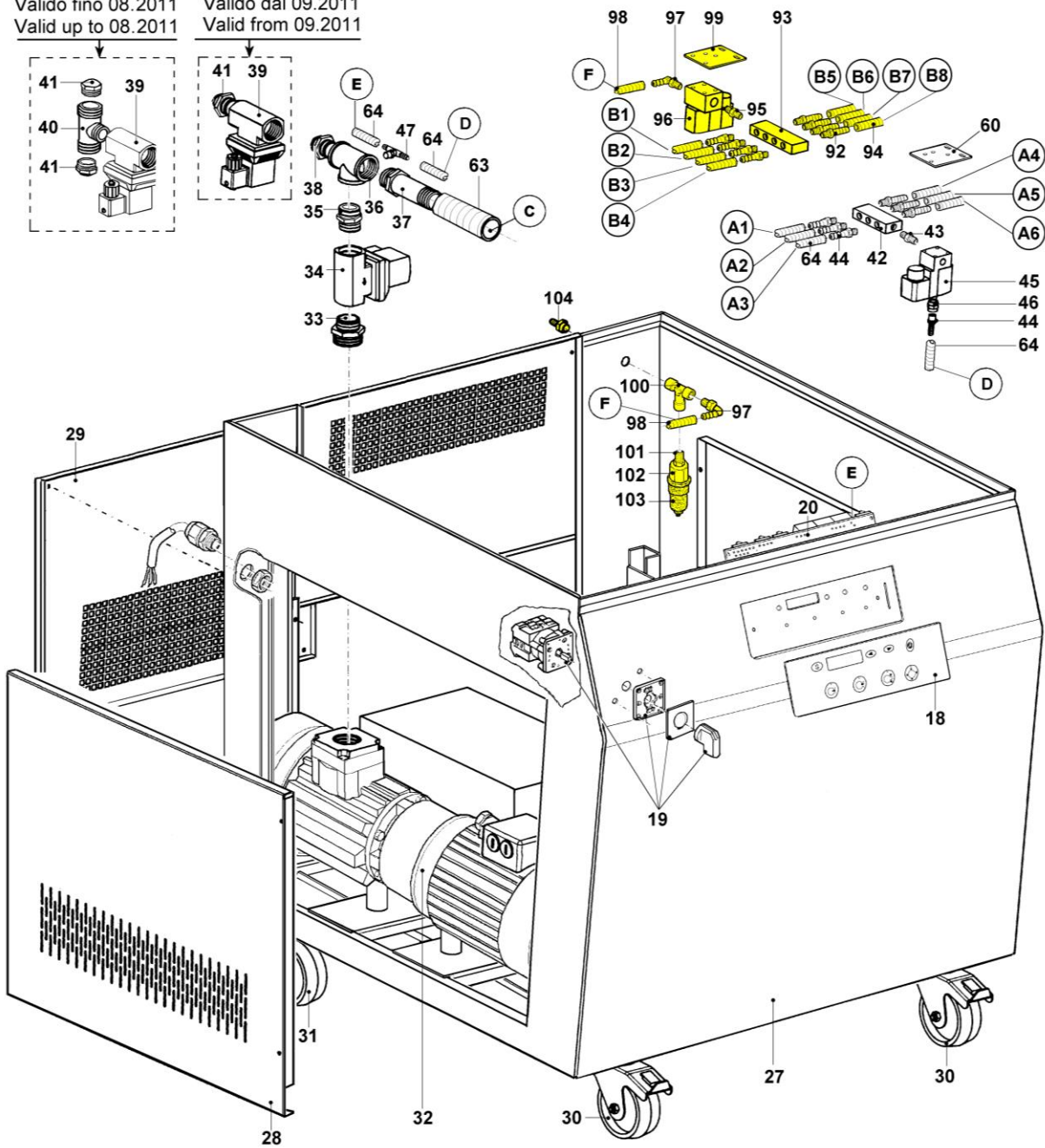
Pos.	Code	Description
35	FM740100	Nipple 1"
36	FM750202	T-union f.f.f. 1" machined
37	FM750260	Rubber holder 1"x Ø30
38	FM740225	Reducer nipple 1" - ¾"
39	FE140002	Air return solenoid valve
40	FM750333	T-union m.f.f. ¾"
41	FM750299	Silencer ¾"
42	FM040071	Manifold
43	FM750224	Nipple ½"
44	FM750247	Straight union Ø6-½"
45	FE140010	Sealing solenoid valve
46	FM750220	Threaded sleeve
47	FM750205	T-union Ø6-½"
60	FM280043	Solenoid valve plate
62	FE220147	Microswitch
63	GM620061	Armovin HNP tube for foodstuffs Ø30X4,8
64	GM620046	Armovinpress tube for foodstuffs Ø6x2,5
71	FE440810 FE440809	Transformer 350VA (208-220V ETL) Transformer 350VA (400V)
72	FE440838 FE440837	Transformer 60VA (208-220V ETL) Transformer 60VA (400V)
73	FE110306 FE110310	Contactor (208-220V ETL) Contactor (400V)
74	FE190027 FE190028 FE190029	Automatic switch 4-6.3A (400V) Automatic switch 6-10A (208V 63mc ETL) Automatic switch 13-18A (208V 100mc ETL - 220V 63mc ETL)
75	FE420301 FE420302	Safety timer (208-220V ETL) Safety timer (400V)
76	FE190100	Release coil
77	FE190110 FE190108	Automatic switch (220-208V ETL) Automatic switch (400V)
78	FE290410 FE290703	Fuse 10.3X38 AM 0,5A (400V) Fuse 10.3X38 FNM 1A (220-208V ETL)
79	FE290404 FE290701	Fuse 10.3X38 AM 8A (400V) Fuse 10.3X38 FNQ 15A (208-220V ETL)
80	FE120011	Thermal 15A

	<b>KR650A00</b>	<b>Gas kit (optional)</b>
90	FM160081	Gas nozzle
91	FM750216	L-union f.f. ½"
92	FM750247	Straight union Ø6-½"
93	FM040072	Manifold
94	GM620046	Armovinpress tube x foodstuffs Ø6x2,5
95	FM750250	Nipple ½"-¼"
96	FE140018	Solenoid valve for gas
97	FM750245	Curved union Ø8-¼"
98	GM620047	Armovinpress tube x foodstuffs Ø8x2,7
99	FM280043	Solenoid valve plate
100	FM750218	T-union f.f.f. ¼"
101	FM750284	Reducer m.f. ¼"-½"
102	FE470000	Pressure switch
103	FE470001	Cap for pressure switch
104	FM750323	Male rubber holder ¼"
105	FM290457	Envelope holder rubber washer square
106	FM350077	Envelope holder rubber washer

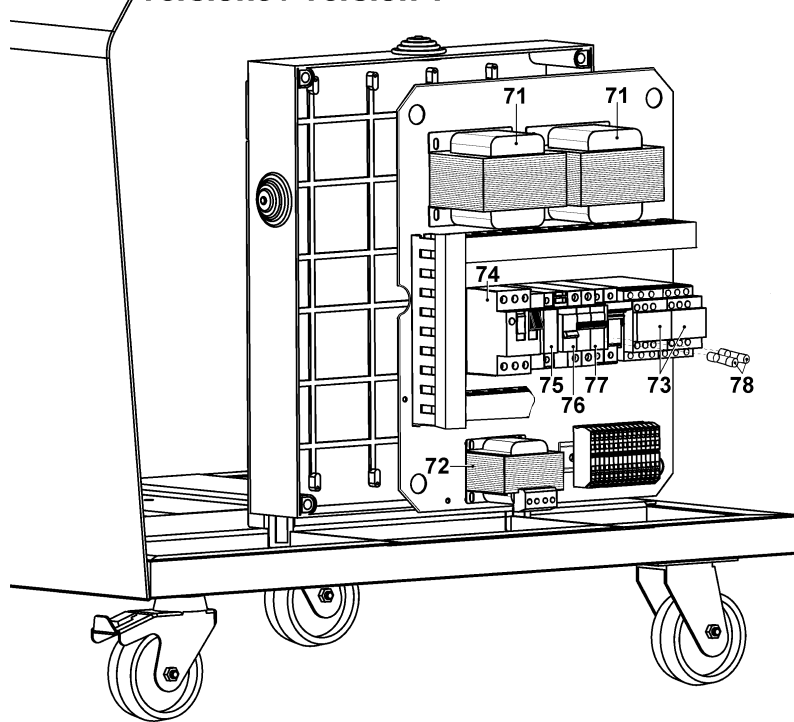


Valido fino 08.2011  
Valid up to 08.2011

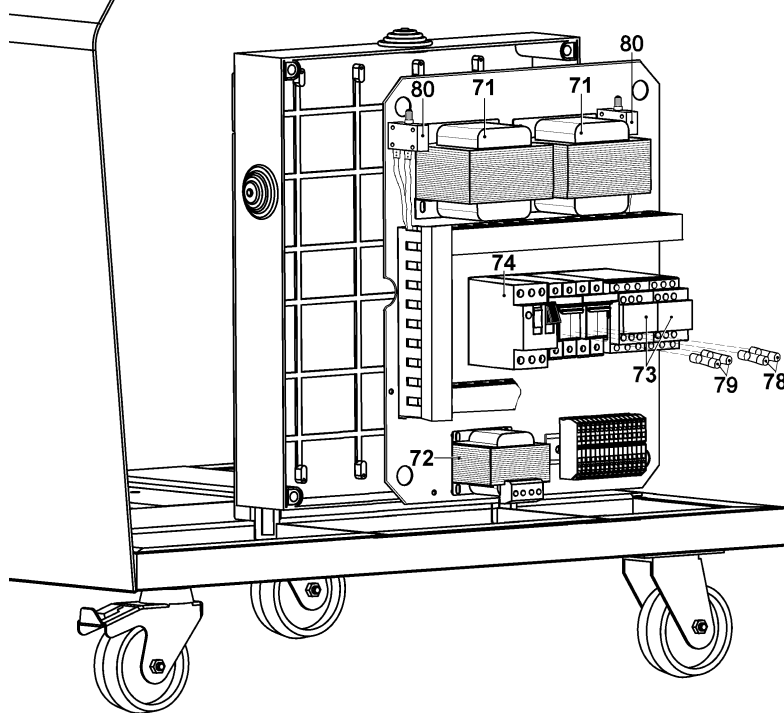
Valido dal 09.2011  
Valid from 09.2011



**Versione / Version 1**



**Versione / Version 2**



**Version 1: sealing bar protection with safety timer**

	<b>(220V 63mc 1Ph)</b>	<b>(400V 63mc 3Ph)</b>	<b>(208V 63mc 3Ph)</b>	<b>(208V 100mc 3Ph)</b>
Valid up to s.n.	650344 (02.2013)	650340 (04.2013)	650362 (12.2013)	-

**Version 2: sealing bar protection with thermal**

	<b>(220V 63mc 1Ph)</b>	<b>(400V 63mc 3Ph)</b>	<b>(208V 63mc 3Ph)</b>	<b>(208V 100mc 3Ph)</b>
Valid from s.n.	650371 (03.2014)	650351 (06.2013)	650372 (03.2014)	650368 (03.2014)