



Minipack-torre S.p.A.
Via Provinciale, 54 - 24044 Dalmine (BG) - Italy
Tel. (035) 563525 – Fax (035) 564945
E-mail: info@minipack-torre.it
<http://www.minipack-torre.it>



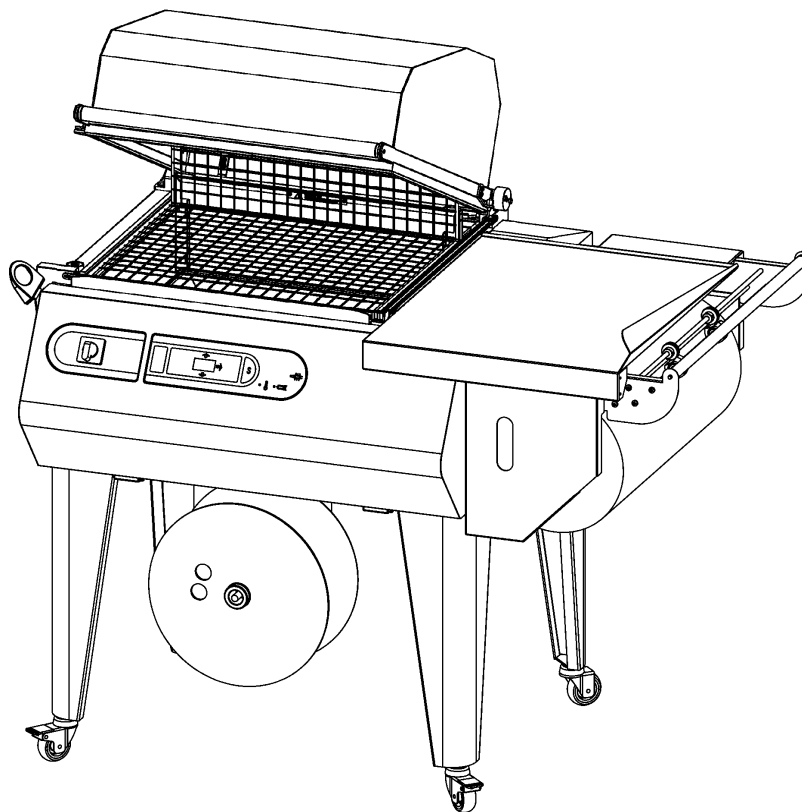
RP55

(Machine code: **MF32BA03**, **MF32BD03**)

Spare parts catalogue

(Valid from serial number 2955 dated 06.2012 up to 7935 dated 04.2016)

\ REV.03: "Definitive version". With new thermostat FE430013 and 1 ventilator FE260020/2.



CAREFULLY READ THIS CATALOGUE BEFORE ORDERING ANY SPARE PART



DOC. N. FM112165
REV. 03
Ed: 12.2016

ITEMS DESCRIPTION

(valid for 230V)

SCHEME 1**Version valid up to serial number 3124 dated 09.2012**

Pos.	Code	Description
1.02	S0K00301	KFront clamp kit
1.03	S0K00302	Rear clamp kit
1.04	S0K00306	Blade holder central clamp kit
1.05	S02A0306	Infill holder channel kit
1.06	S02A0901	Front guard kit
1.07	S02A0903	Side guard kit
1.08	S02A0310	Infill blocks kit
1.09	KR020001	Teflon-coated sealing blade
1.10	FM220265	Lower rubber holder side channel
1.11	FM350006	15x10 lg.530mm Neoprene rubber
1.12	FM281334	Heating chamber flap
1.13	FM091185	Rear reinforcement
1.14	FM195123	Rock wool panel
1.15	FM091318	Heaters rear plate
1.16	FM091124	Heaters front plate
1.17	FM195111	Glass wool panel
1.18	FM390051 FM390054	W2800 V230 Heat sink W2800 V200 Heat sink
1.19	FE430013	Safety thermostat (See the position 4.24)
1.20	FE435011	Thermocouple
1.21	TR320A01	Cable

Version valid from serial number 3125 dated 09.2012

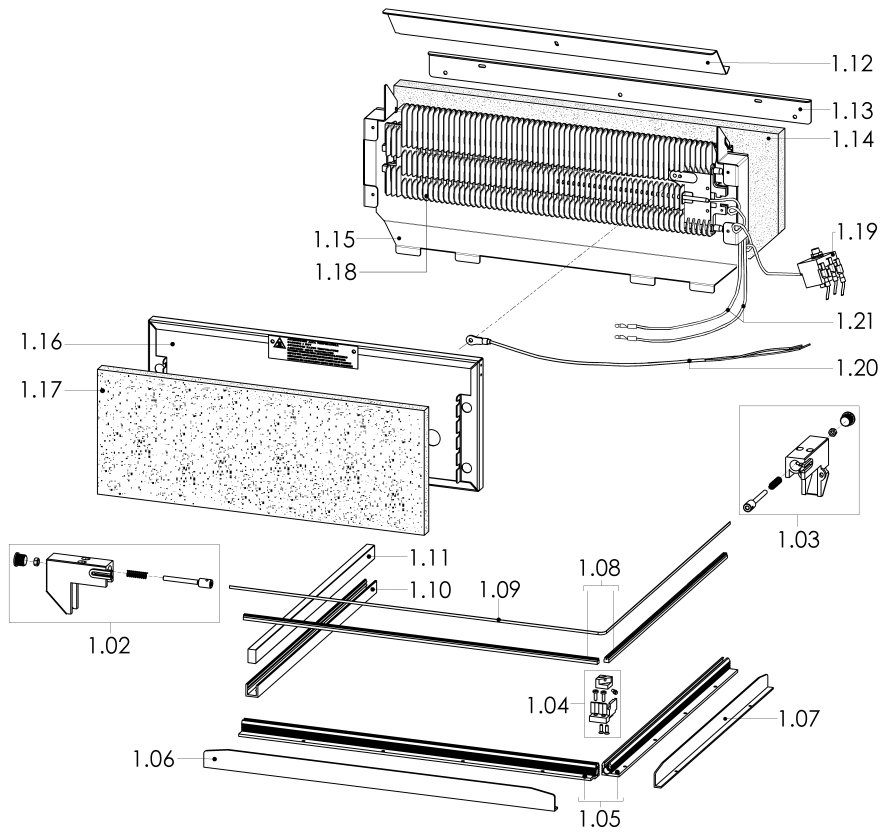
Pos.	Code	Description
1.02	S0K00301	Front clamp kit
1.03	S0K00302	Rear clamp kit
1.04	S0K00306	Blade holder central clamp kit
1.05	S02A0306	Infill holder channel kit
1.06	S02A0901	Front guard kit
1.07	S02A0903	Side guard kit
1.08	S02A0310	Infill blocks kit
1.09	KR020001	Teflon-coated sealing blade
1.10	FM220265	Lower rubber holder side channel
1.11	FM350006	15x10 lg.530mm Neoprene rubber
1.12	FM281334	Heating chamber flap
1.13	FM091185	Rear reinforcement
1.14	FM195123	Rock wool panel
1.15	FM091318	Heaters rear plate
1.16	FM091124	Heaters front plate
1.17	FM195111	Glass wool panel
1.18	KR320A03 KR320D03	W2800 V230 Heat sink kit W2800 V200 Heat sink kit
1.19	FE430013	Safety thermostat (See the position 4.24)
1.20	FE435011	Thermocouple
1.21	TR320A01	Cable

MACHINE DETAIL DRAWING

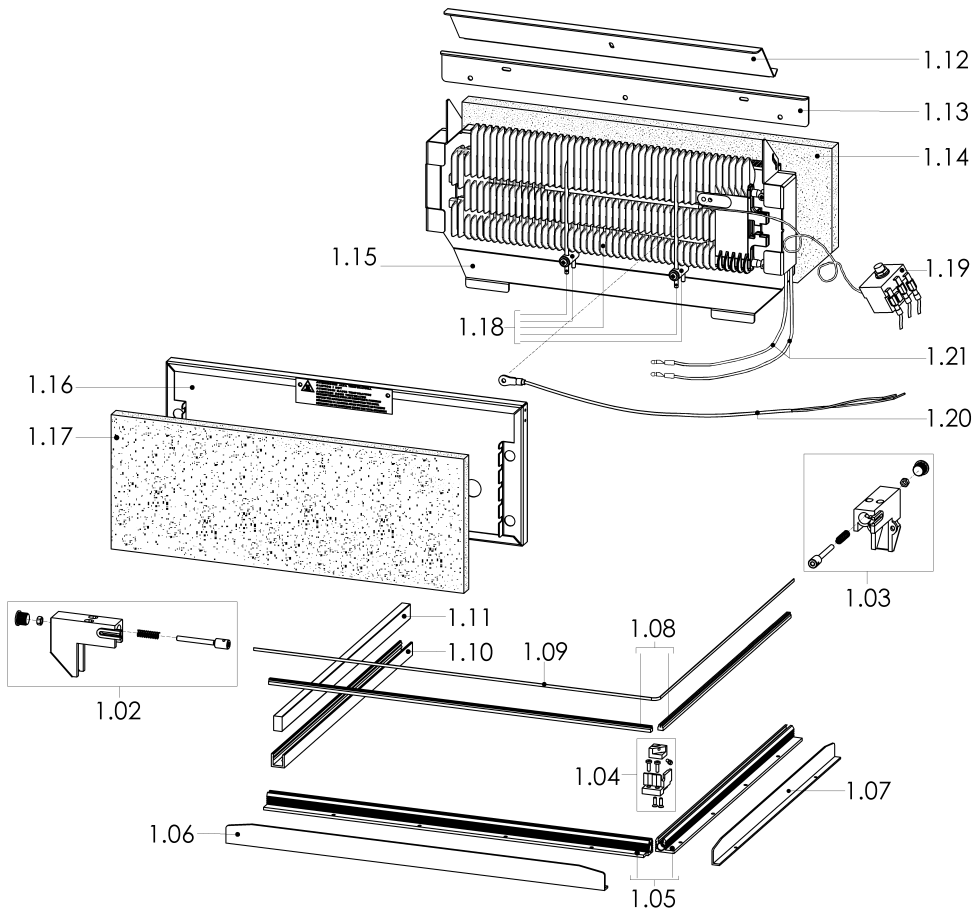
(valid for 230V)

SCHEME 1

Version valid up to serial number 3124 dated 09.2012



Version valid from serial number 3125 dated 09.2012



ITEMS DESCRIPTION

(valid for 200V)

SCHEME 1.1**Version valid up to serial number 3124 dated 09.2012**

Pos.	Code	Description
1.02	S0K00301	Front clamp kit
1.03	S0K00302	Rear clamp kit
1.04	S0K00306	Blade holder central clamp kit
1.05	S02A0311	Cutter channels kit
1.06	S02A0901	Front guard kit
1.07	S02A0903	Side guard kit
1.08	S02A0305	Blade holder bar kit
1.09	KR020001	Teflon-coated sealing blade
1.10	FM220265	Lower rubber holder side channel
1.11	FM350006	15x10 lg.530mm Neoprene rubber
1.12	FM281334	Heating chamber flap
1.13	FM091185	Rear reinforcement
1.14	FM195123	Rock wool panel
1.15	FM091318	Heaters rear plate
1.16	FM091124	Heaters front plate
1.17	FM195111	Glass wool panel
1.18	FM390051 FM390054	W2800 V230 Heat sink W2800 V200 Heat sink
1.19	FE430013	Safety thermostat (See the position 4.24)
1.20	FE435011	Thermocouple
1.21	TR320A01	Cable

Version valid from serial number 3125 dated 09.2012

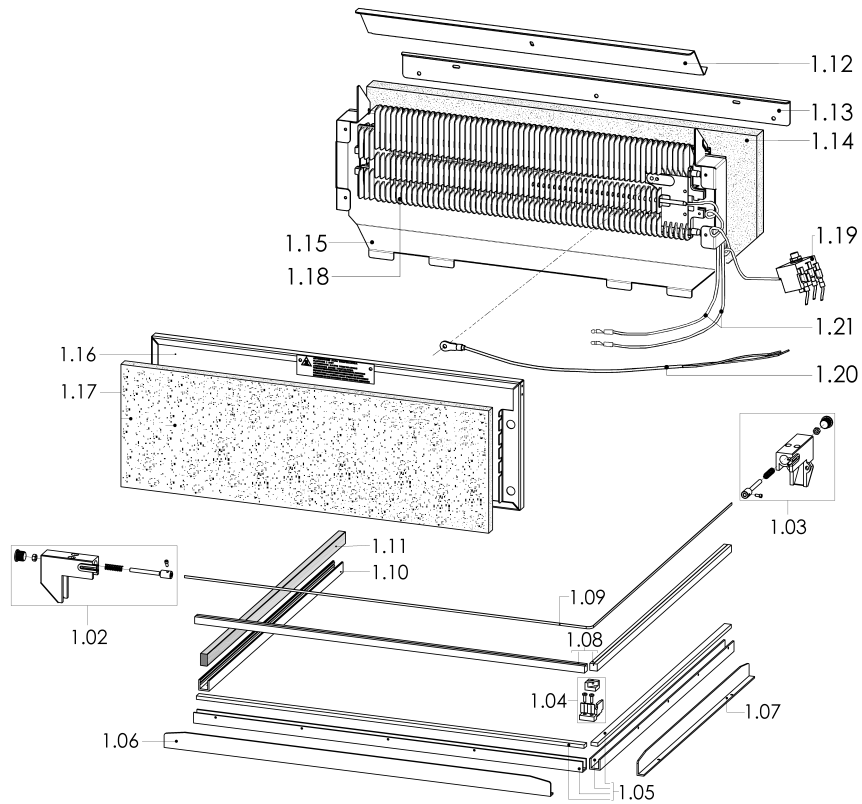
Pos.	Code	Description
1.02	S0K00301	Front clamp kit
1.03	S0K00302	Rear clamp kit
1.04	S0K00306	Blade holder central clamp kit
1.05	S02A0311	Cutter channels kit
1.06	S02A0901	Front guard kit
1.07	S02A0903	Side guard kit
1.08	S02A0305	Blade holder bar kit
1.09	KR020001	Teflon-coated sealing blade
1.10	FM220265	Lower rubber holder side channel
1.11	FM350006	15x10 lg.530mm Neoprene rubber
1.12	FM281334	Heating chamber flap
1.13	FM091185	Rear reinforcement
1.14	FM195123	Rock wool panel
1.15	FM091318	Heaters rear plate
1.16	FM091124	Heaters front plate
1.17	FM195111	Glass wool panel
1.18	KR320A03 KR320D03	W2800 V230 Heat sink kit W2800 V200 Heat sink kit
1.19	FE430013	Safety thermostat (See the position 4.24)
1.20	FE435011	Thermocouple
1.21	TR320A01	Cable

MACHINE DETAIL DRAWING

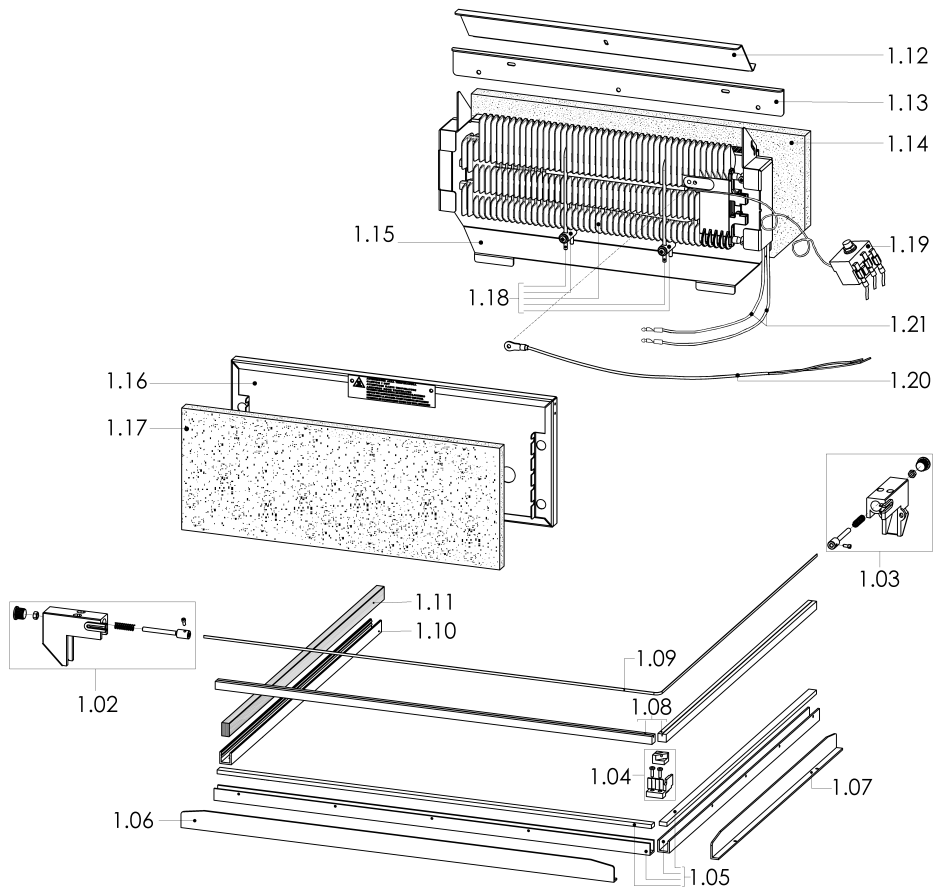
(valid for 200V)

SCHEME 1.1

Version valid up to serial number 3124 dated 09.2012

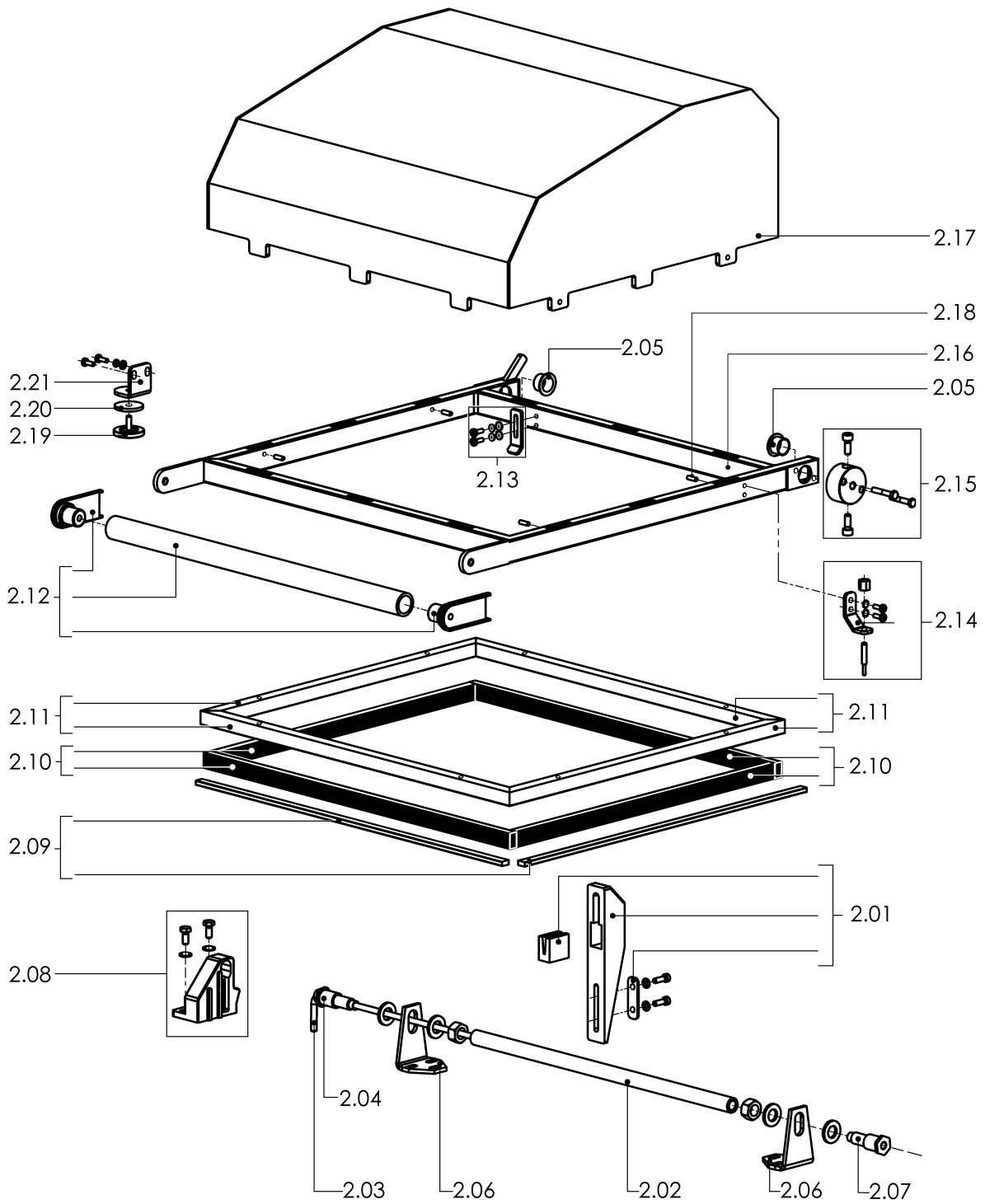


Version valid from serial number 3125 dated 09.2012



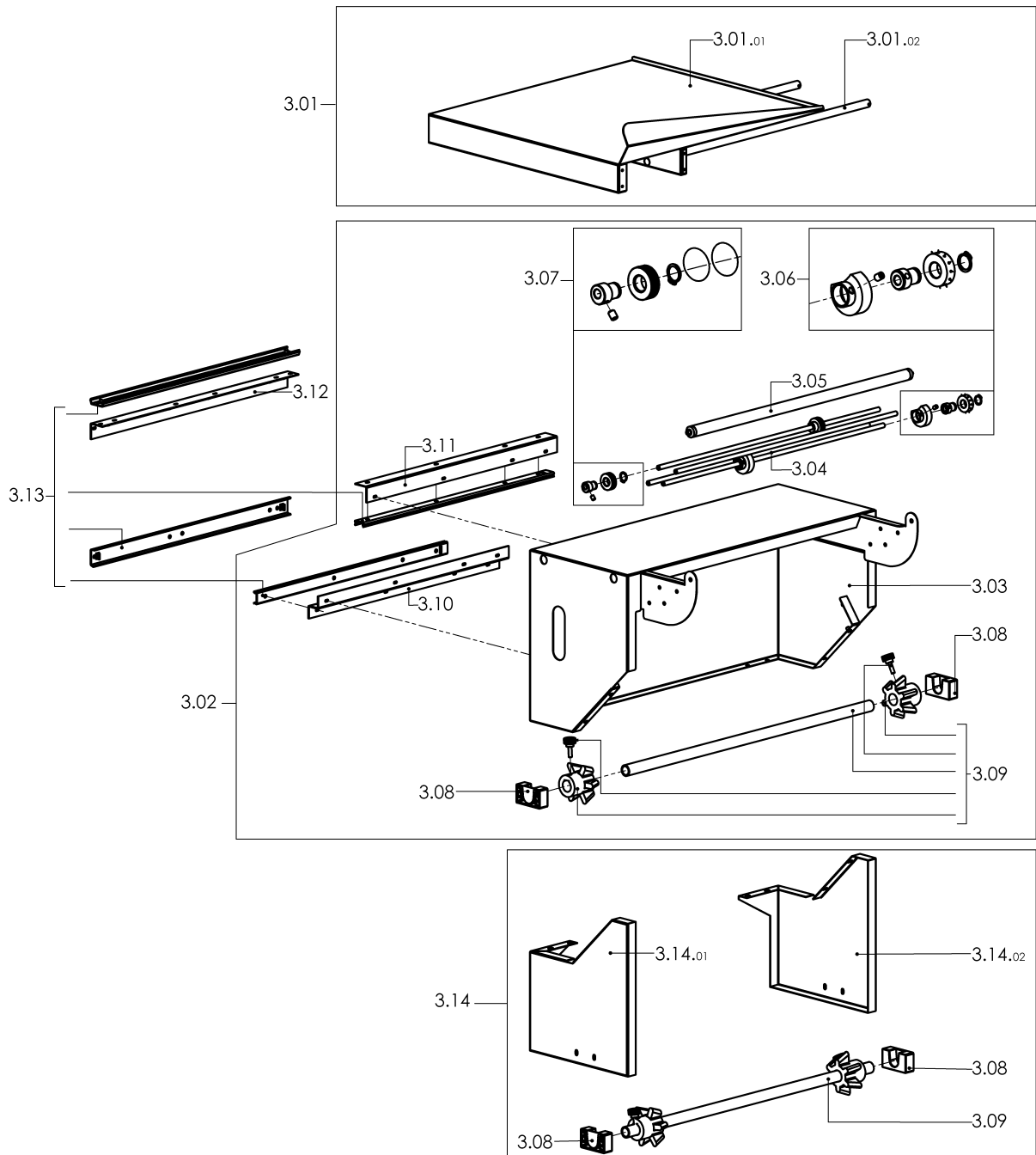
ITEMS DESCRIPTION	SCHEME 2
--------------------------	-----------------

Pos.	Code	Description
2.01	G0K00011	Hood shock absorber kit
2.02	FM250102	Torsion bar tube
2.03	FM170002	Torsion bar
2.04	S0K01005	Hood rotation left pin kit
2.05	FM540007	Bush
2.06	FM290101	Hood support
2.07	S0K01002	Hood rotation right pin kit
2.08	S0K01004	Torsion bar housing kit
2.09	KR020002	Teflon kit
2.10	FM350095	Neoprene rubber 17x10 lg.2300mm
2.11	KR320053	Upper rubber holder channels kit
2.12	S02A0402	Handgrip kit for hood
2.13	S0K00405	Heating chamber flap opening lever kit
2.14	S0K00406	Microswitch screw kit
2.15	S0K01001	Torsion bar blocking flange kit
2.16	FM300099	Upper hood frame
2.17	FM081028	Upper hood
2.18	FM852207	M4x14 screw
2.19	FM160026	Electromagnet contrast
2.20	FM350011	Electromagnet contrast washer
2.21	FM280011	Electromagnet contrast square



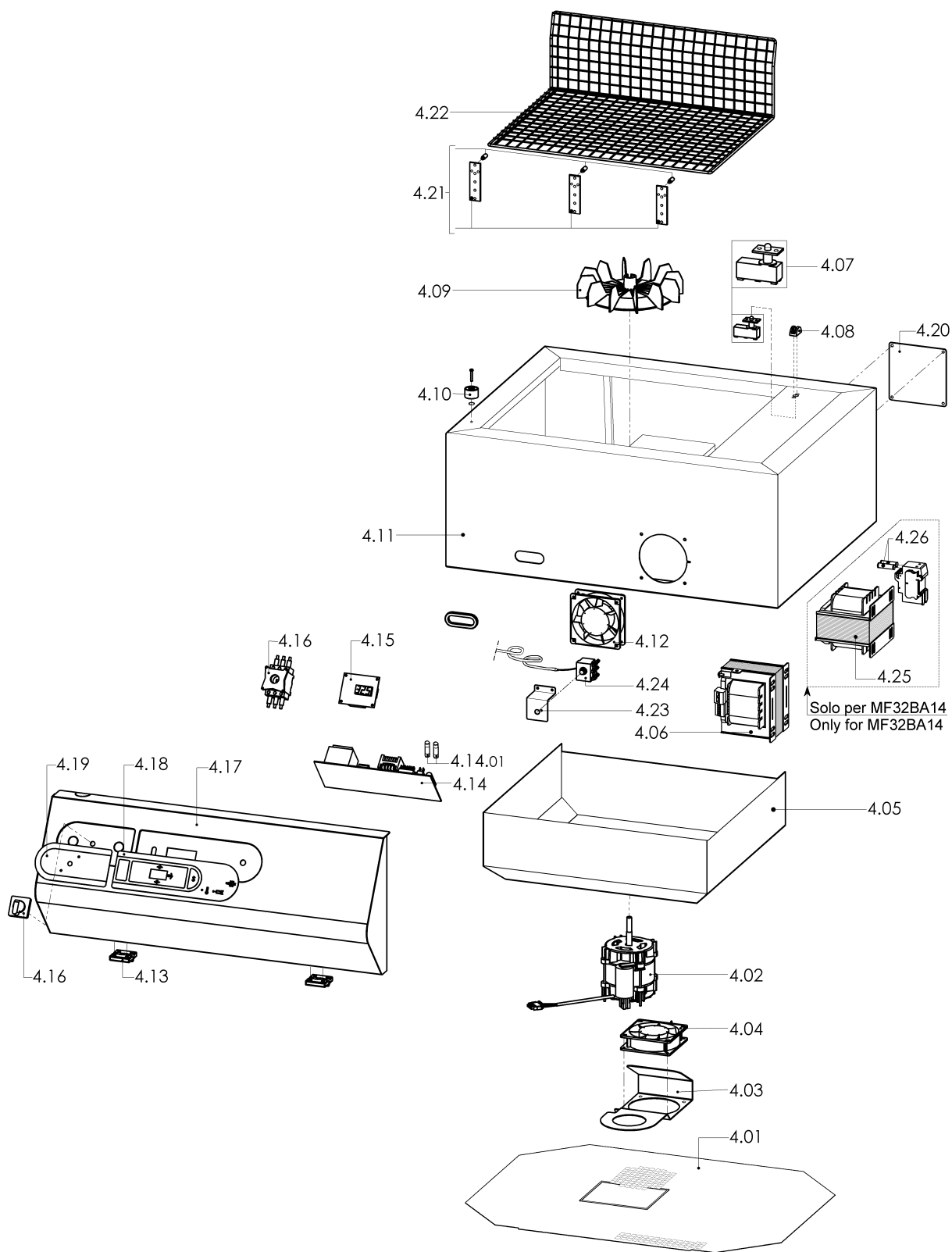
ITEMS DESCRIPTION	SCHEME 3
--------------------------	-----------------

Pos.	Code	Description
3.01	PC32B001	RAL7016B. packaging plate pre-assembly
3.01.01	FM091137	RAL7016B. packaging plate
3.01.02	FM300097	Packaging plate frame
3.01.01	FM091176	Inox packaging plate (optional)
3.02	PB32B001	RAL7035B. roll support pre-assembly
3.03	FM091132	RAL7035B. roll support
3.04	FM030004	Microperforator rod
3.05	FM710320	Idle roll
3.06	S0K00605	Microperforator with needles kit
3.07	S0K00607	Slotted microperforator kit
3.08	FM340510	Support x reel holder roller
3.09	S02A0602	Film roll tube kit
3.10	FM220524	"Z" shaped channel for male guide
3.11	FM220522	Upper male guide corner
3.12	FM220511	Female guide corner
3.13	S02A0908	Coupled guides kit
3.14	PB32N001	Second film roll support kit (optional)
3.14.01	FM090333	Left second film roll support
3.14.02	FM090332	Right second film roll support



ITEMS DESCRIPTION	SCHEME 4
--------------------------	-----------------

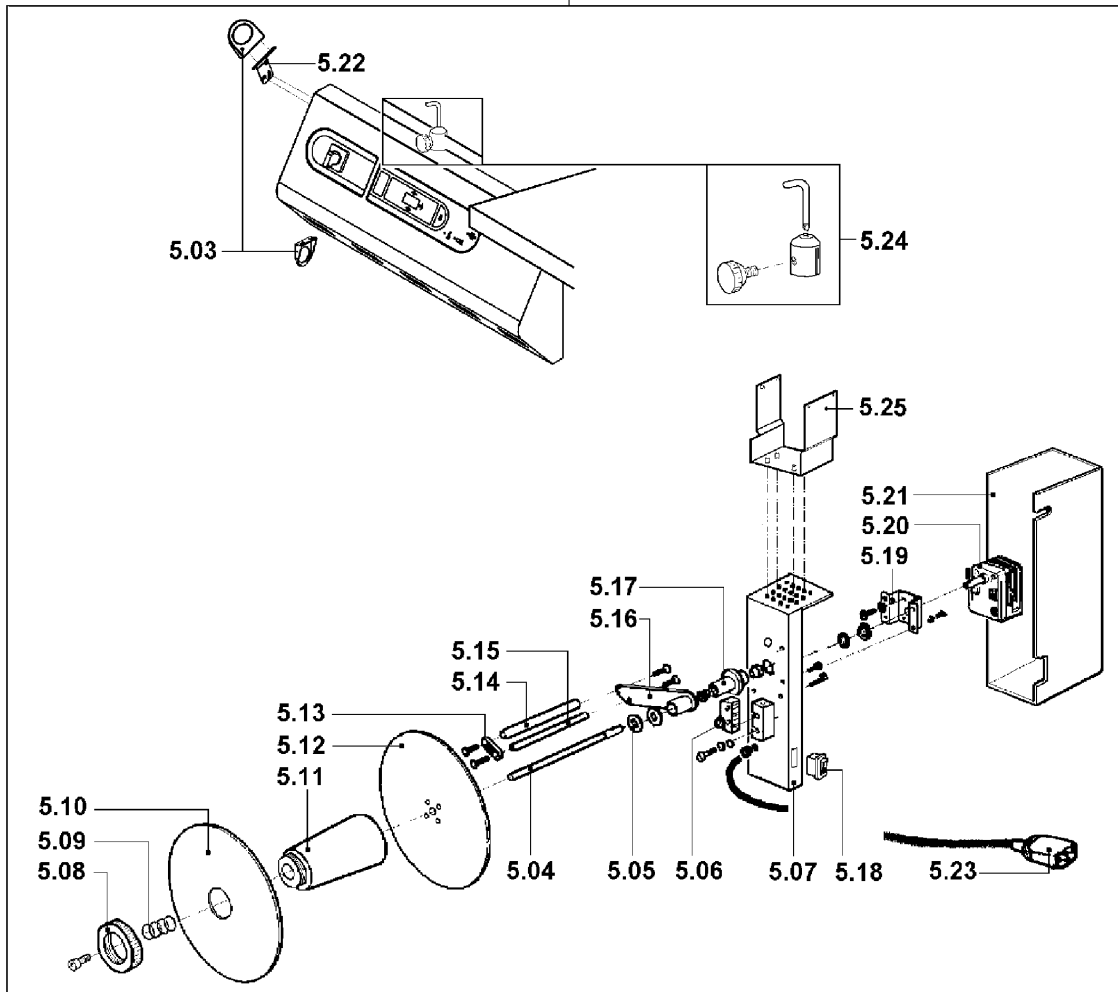
Pos.	Code	Description
4.01	FM090320	Lower cover
4.02	FE241057 FE240023	Single-phase motor 230V Single-phase motor 200V
4.03	FM090982	Ventilator support
4.04	FE260020 FE260022	Ventilator 230V Ventilator 200V
4.05	FM090208	Lower hood
4.06	FE440618	Transformer 2400VA (200-230V)
4.07	S0K01208	Hood microswitch kit
4.08	FM230002	Microswitch guard
4.09	S0K01121	Fan kit
4.10	FE130013	Electromagnet
4.11	FM091221	RAL7035B. fairing
4.12	FE260020 FE260022	230V ventilator 200V ventilator
4.13	FM510084	Hinge
4.14	FE120264 FE120255	Power board 230V Power board 200V
4.14.01	FE290407	Fuse 10.3X38 AM 16A (200-230V)
4.15	FE120632	Control board
4.16	FE080001	Main switch 20A (200-230V)
4.17	FM091128	RAL7035B. front panel
4.18	FE120601	Membrane keyboard
4.19	FM110340	Push button panel adhesive
4.20	FM091148	RAL7035B. rear panel
4.21	S0K01301	Screened plate front support
4.22	FM130002	Reticulated plate
4.23	FM095966	Support
4.24	FE430013	Safety thermostat (See the position 1.19)
4.25	FE440203	Autotransformer 3500VA (180-190-200-210-230V) (only for MF32BA14)
4.26	FE290408	Fuse 10.3x38 AM 20A (only for MF32BA14)



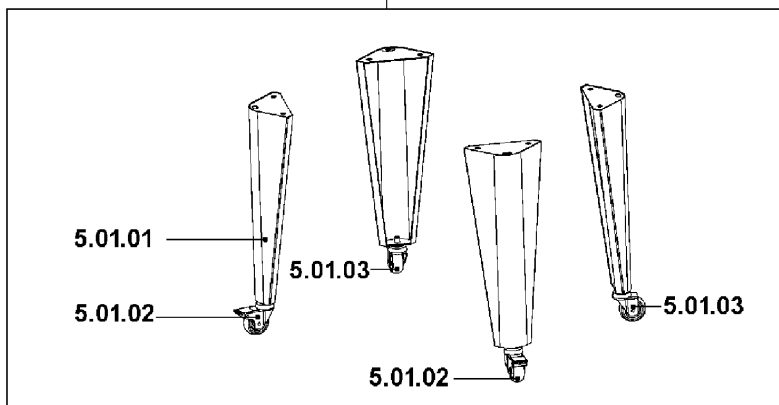
ITEMS DESCRIPTION	SCHEME 5
--------------------------	-----------------

Pos.	Code	Description
5.01	GB31B001	RAL7035B. grey legs kit (h= 482mm)
5.01.01	FM091036	RAL7035B. grey leg (h= 482mm)
5.01.02	FM770522	Wheel Ø80 with brake
5.01.03	FM770521	Wheel Ø80
5.01	GB31N001	RAL9005B. black legs kit (h= 382mm)
5.01.01	FM091330	RAL9005B. black leg (h= 382mm)
5.01.02	FM770522	Wheel Ø80 with brake
5.01.03	FM770521	Wheel Ø80
5.02	AV990A15	(200-230V) Rewinder group
5.03	FM160231	Film guiding ring
5.04	FM010041	Film rewinder shaft
5.05	FM160111	Washer
5.06	FE220105	Microswitch
5.07	FM290175	Rewinder support
5.08	FM160104	Ring nut
5.09	FM170161	Spring
5.10	FM120040	Movable flange
5.11	FM250128	Hub
5.12	FM120041	Fixed flange
5.13	FM280326	Plate
5.14	FM250074	Roller
5.15	FM030063	Rod
5.16	FM060027	Lever
5.17	FM290172	Lever support
5.18	FE190032	Switch
5.19	FM290107	Gearmotor support
5.20	FE250016	200-220V gearmotor
5.21	FM095138	Case
5.22	FM290525	Film guiding ring square
5.23	FE310121	Cable 3X0,75X1000
5.24	S0K00407	Film guide kit
5.25	FM290432	RAL9005B. rewinder support

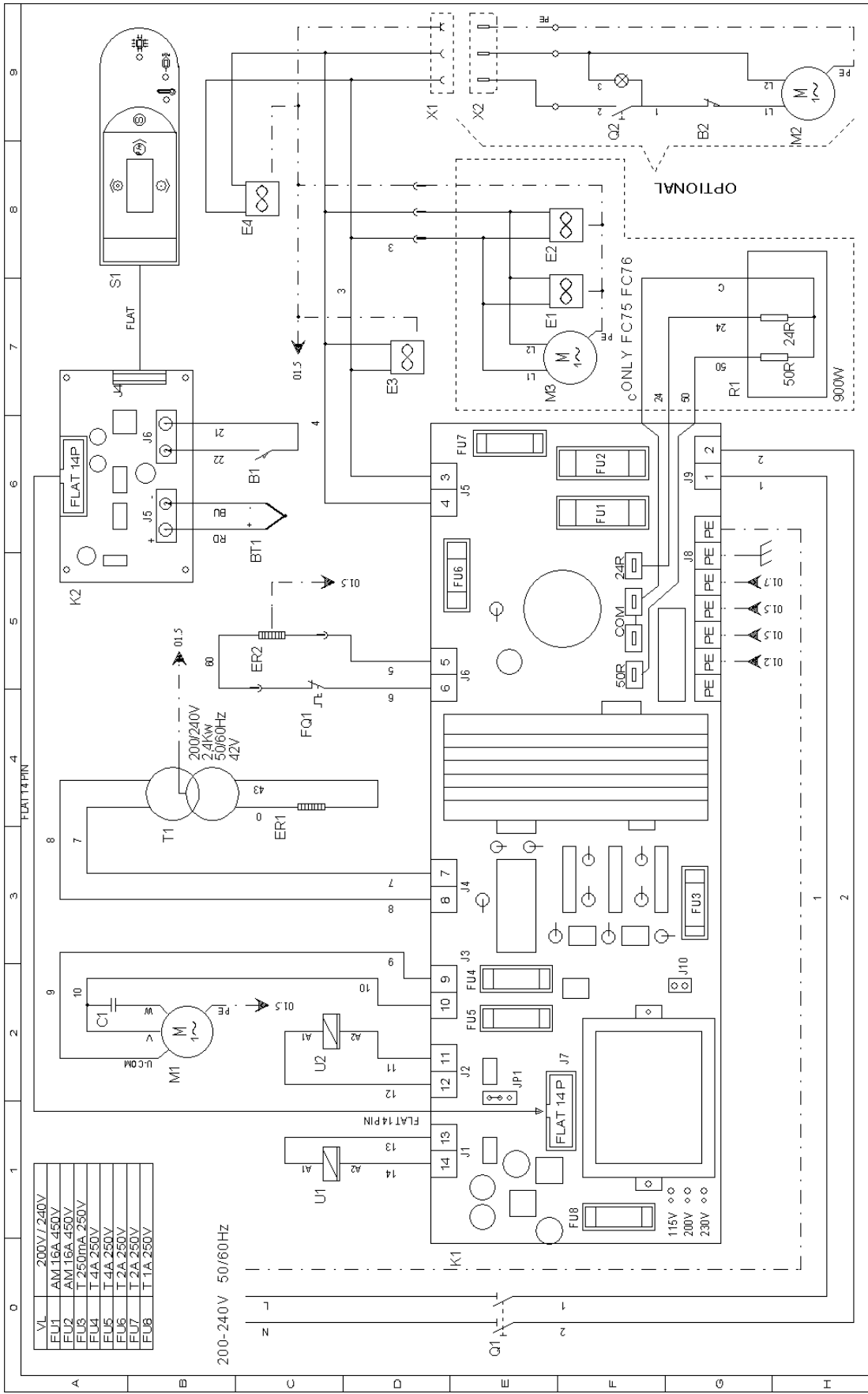
5.02



5.01



200-230V WIRING DIAGRAM



V1	200V / 240V
E1	AM 16A 450V
FU2	AM 16A 450V
FU3	T 250mA 250V
FU4	T 4A 250V
FU5	T 4A 250V
FU6	T 2A 250V
FU7	T 2A 250V
FU8	T 1A 250V

PROGETTO:	FC 75-76 230V	FOGLIO	01
CODICE:	MF31AA01	DI	02
DESEGNO NR:	WDMF3101		
TITOLO:	SCHEMA ELETTRICO		
DESIGNATORE:	Boldetti	DATA:	11.11.2008
REV.	DATA	FIRMA	
1	22/05/2014		
2	22/05/2014	aggiunto E4 E3 non più optional	
		MODIFICA	
			01 ◀ 02

WIRING DIAGRAM DESCRIPTION

Component	Function
B1	Cycle start limit switch
B2	Rewinder limit switch
BT1	Thermocouple
C1	Motor capacitor
E1	Cooling fan
E2	Cooling fan
E3	Cooling fan
E4	Cooling fan
ER1	Sealing blade heater
ER2	Shrinking resistor
FQ1	Safety thermostat
FU1/2	Line fuses 10.3X38
FU3	Board supplier fuse 5X20
FU4/5	Fan motor fuses 5X20
FU6/7	Auxiliary fuses 230V 5X20
FU8	Auxiliary fuse 24V 5X20
K1	Power board
K2	Control board
M1	Fan motor
M2	Rewinder motor
M3	Cooling pump motor
Q1	Main switch
Q2	Rewinder switch
R1	Motor brake resistor
S1	Membrane keyboard
T1	Cutting transformer
U1	Shrinking magnet
U2	Sealing magnet
X1	Rewinder power supply socket
X2	Rewinder power supply plug

