



Minipack-torre S.p.A.
Via Provinciale, 54 - 24044 Dalmine (BG) - Italy
Tel. (035) 563525 – Fax (035) 564945
E-mail: info@minipack-torre.it
[http:// www.minipack-torre.it](http://www.minipack-torre.it)

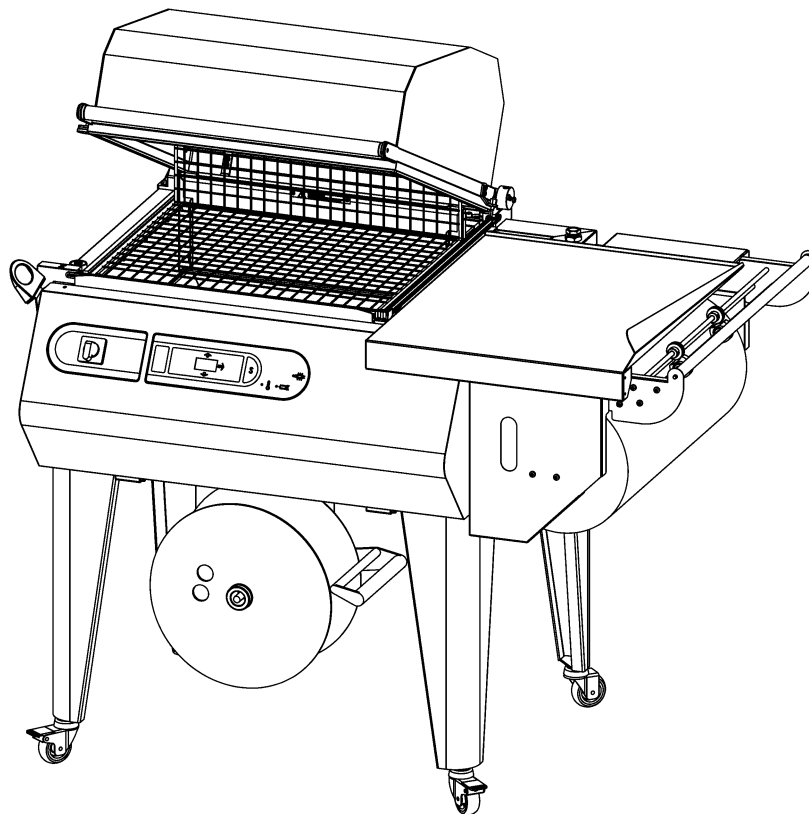


RP55

Spare parts catalogue

(Valid from serial number 2854 dated 05.2012 up to 2954 dated 06.2012)

REV.02: "Intermediate version". With new thermostat FE430013 and 2 ventilators FE260034.



CAREFULLY READ THIS CATALOGUE BEFORE ORDERING ANY SPARE PART



DOC. N. FM112165
REV. 02
Ed: 01.2014

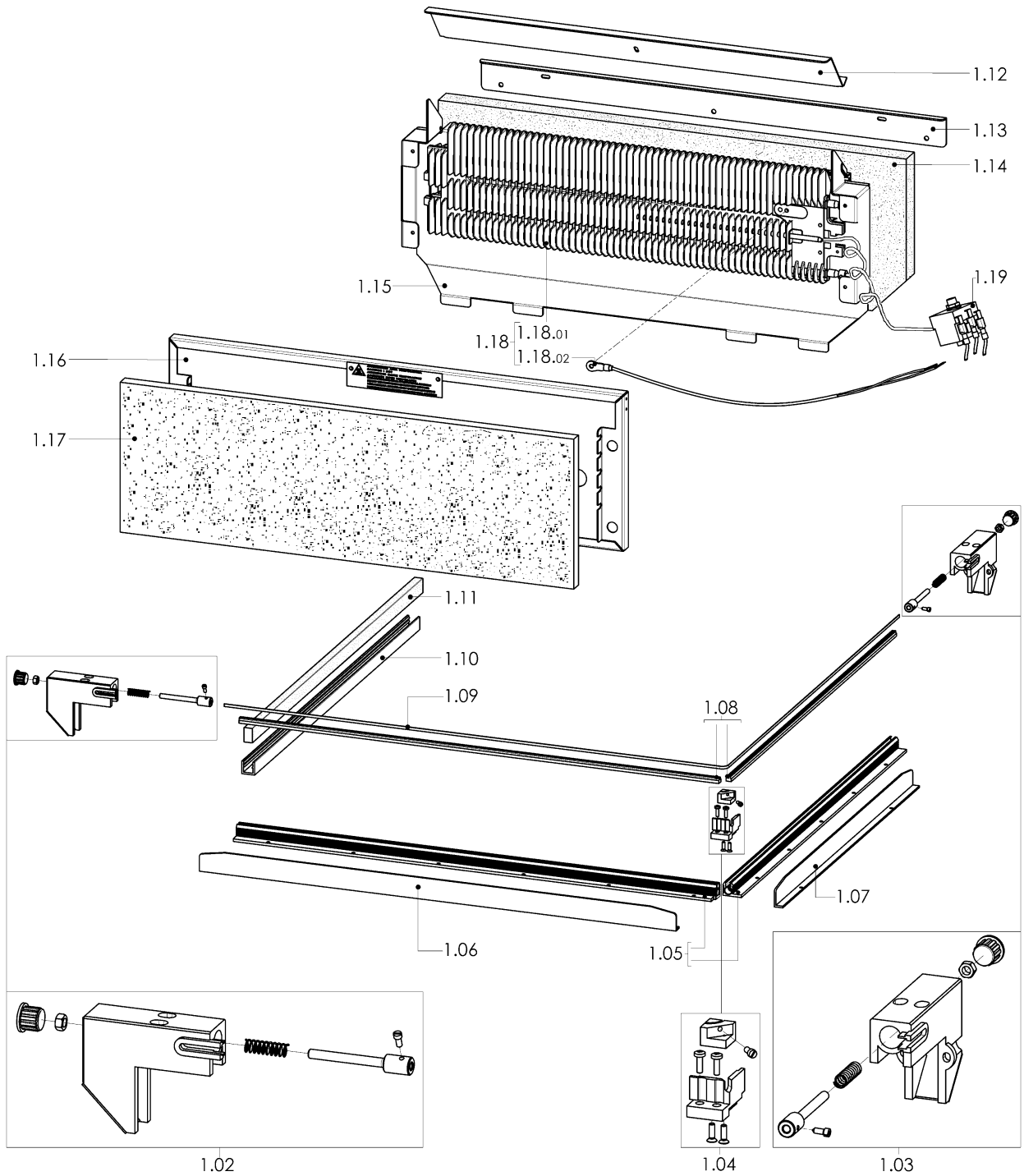
ITEMS DESCRIPTION (valid for 230V)	SCHEME 1
--	-----------------

Pos.	Code	Description
1.02	S0K00301	Front clamp kit
1.03	S0K00302	Rear clamp kit
1.04	S0K00306	Blade holder central clamp kit
1.05	S02A0306	Infill holder channel kit
1.06	S02A0901	Front guard kit
1.07	S02A0903	Side guard kit
1.08	S02A0310	Infill blocks kit
1.09	KR020001	Teflon-coated sealing blade
1.10	FM220265	Lower rubber holder side channel
1.11	FM350006	15X10 Lg.530 Neoprene rubber
1.12	FM281334	Heating chamber flap
1.13	FM091185	Rear reinforcement
1.14	FM195123	Rock wool panel
1.15	FM091318	Heaters rear plate
1.16	FM091124	Heaters front plate
1.17	FM195111	Glass wool panel
1.18	No code	W2800 V230 Heat sink kit
	No code	W2800 V200 Heat sink kit
1.18.01	FM390051	W2800 V230 Heat sink
	FM390054	W2800 V200 Heat sink
1.18.02	FE435011	Thermocouple
1.19	FE430013	Safety thermostat (See the position 4.24)

MACHINE DETAIL DRAWING

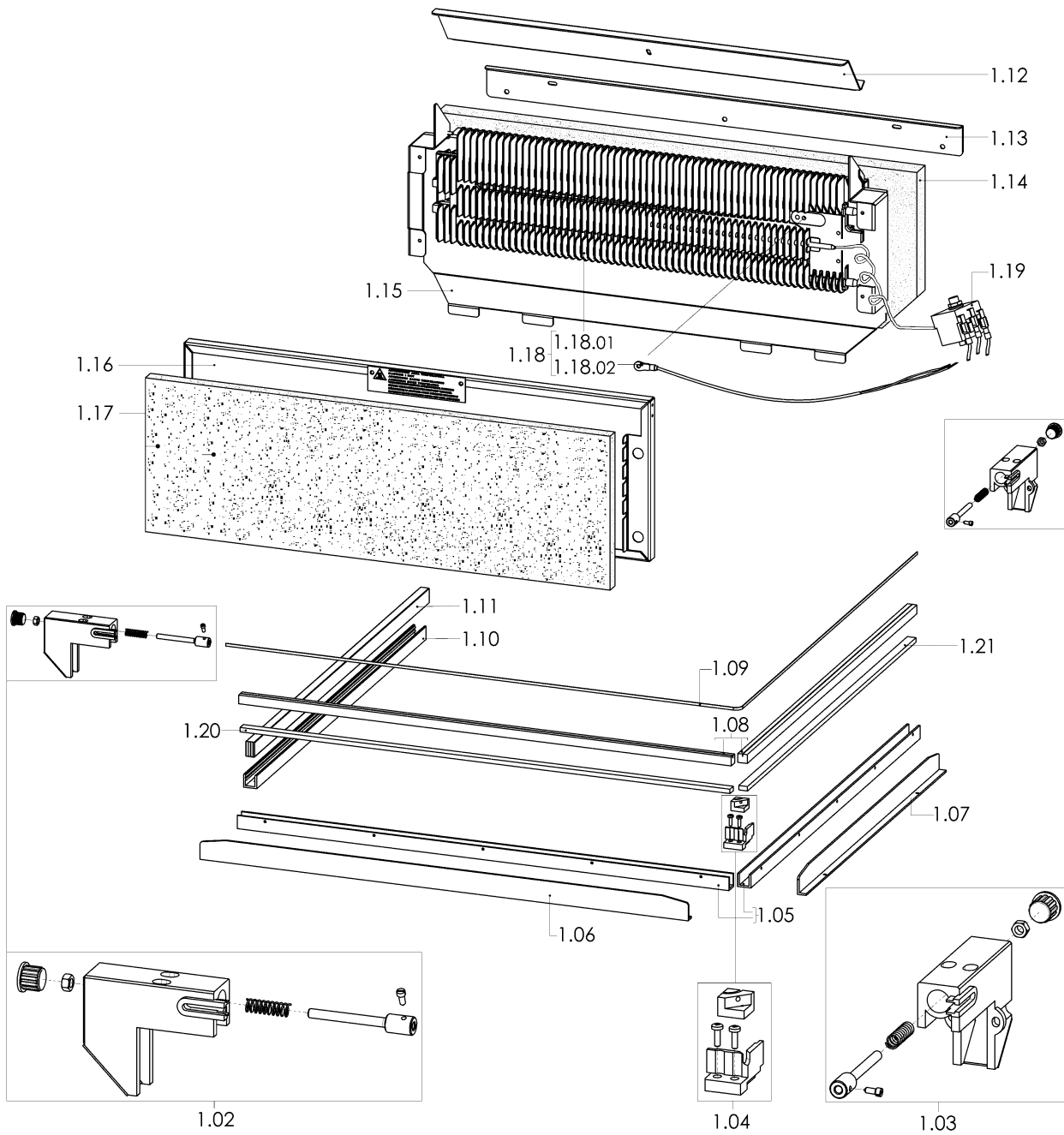
(valid for 230V)

SCHEME 1



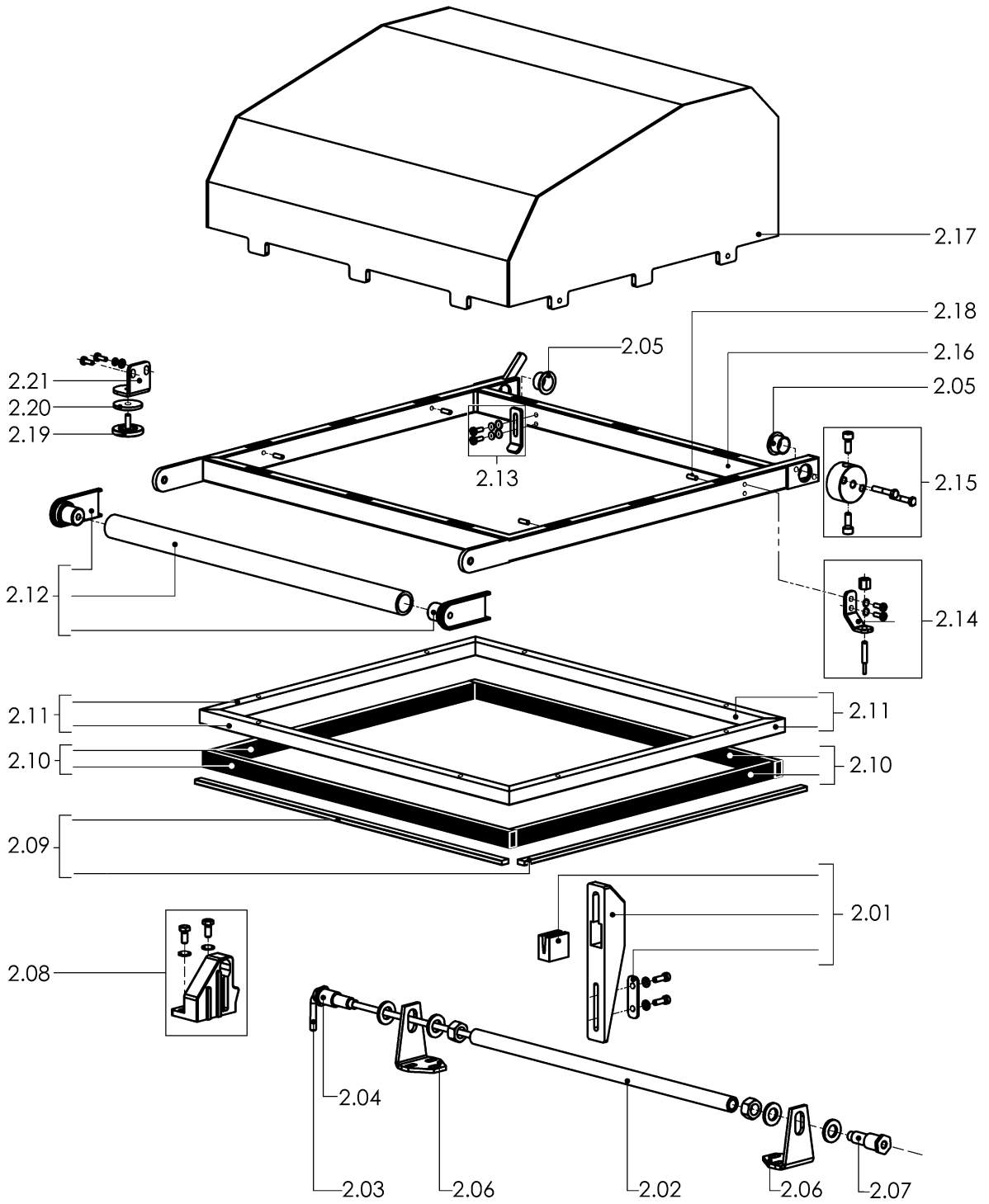
ITEMS DESCRIPTION*(valid for 200V)***SCHEME 1.1**

Pos.	Code	Description
1.02	S0K00301	Front clamp kit
1.03	S0K00302	Rear clamp kit
1.04	S0K00306	Blade holder central clamp kit
1.05	S02A0311	Cutter channels kit
1.06	S02A0901	Front guard kit
1.07	S02A0903	Side guard kit
1.08	S02A0305	Blade holder bar kit
1.09	KR020001	Teflon-coated sealing blade
1.10	FM220265	Lower rubber holder side channel
1.11	FM350006	15X10 Lg.530 Neoprene rubber
1.12	FM281334	Heating chamber flap
1.13	FM091185	Rear reinforcement
1.14	FM195123	Rock wool panel
1.15	FM091318	Heaters rear plate
1.16	FM091124	Heaters front plate
1.17	FM195111	Glass wool panel
1.18	No code	W2800 V230 Heat sink kit
	No code	W2800 V200 Heat sink kit
1.18.01	FM390051	W2800 V230 Heat sink
	FM390054	W2800 V200 Heat sink
1.18.02	FE435011	Thermocouple
1.19	FE430013	Safety thermostat (See the position 4.24)
1.20	FM220402	Front thickness
1.21	FM220405	Side thickness



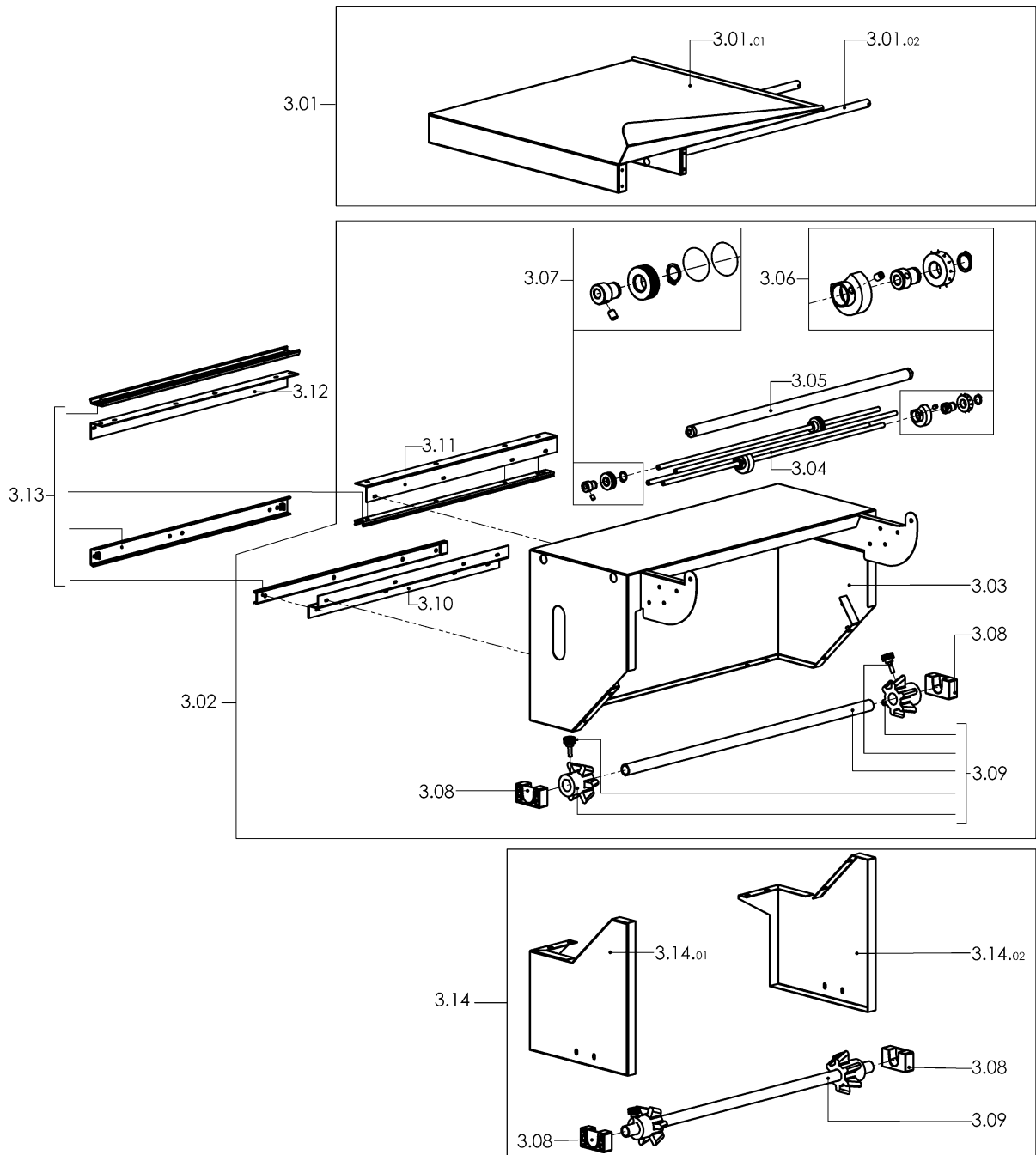
ITEMS DESCRIPTION	SCHEME 2
--------------------------	-----------------

Pos.	Code	Description
2.01	GOK00011	Hood shock absorber kit
2.02	FM250102	Torsion bar tube
2.03	FM170002	Torsion bar
2.04	SOK01005	Hood rotation left pin kit
2.05	FM540007	Bush
2.06	FM290101	Hood support
2.07	SOK01002	Hood rotation right pin kit
2.08	SOK01004	Torsion bar housing kit
2.09	KR020002	Teflon kit
2.10	FM350095	Neoprene rubber 17x10 L.2300mm
2.11	KR320053	Upper rubber holder channels kit
2.12	S02A0402	Handgrip kit for hood
2.13	SOK00405	Heating chamber flap opening lever kit
2.14	SOK00406	Microswitch screw kit
2.15	SOK01001	Torsion bar blocking flange kit
2.16	FM300099	Upper hood frame
2.17	FM081028	Upper hood
2.18	FM852207	M4x14 screw
2.19	FM160026	Electromagnet contrast
2.20	FM350011	Electromagnet contrast washer
2.21	FM280011	Electromagnet contrast square



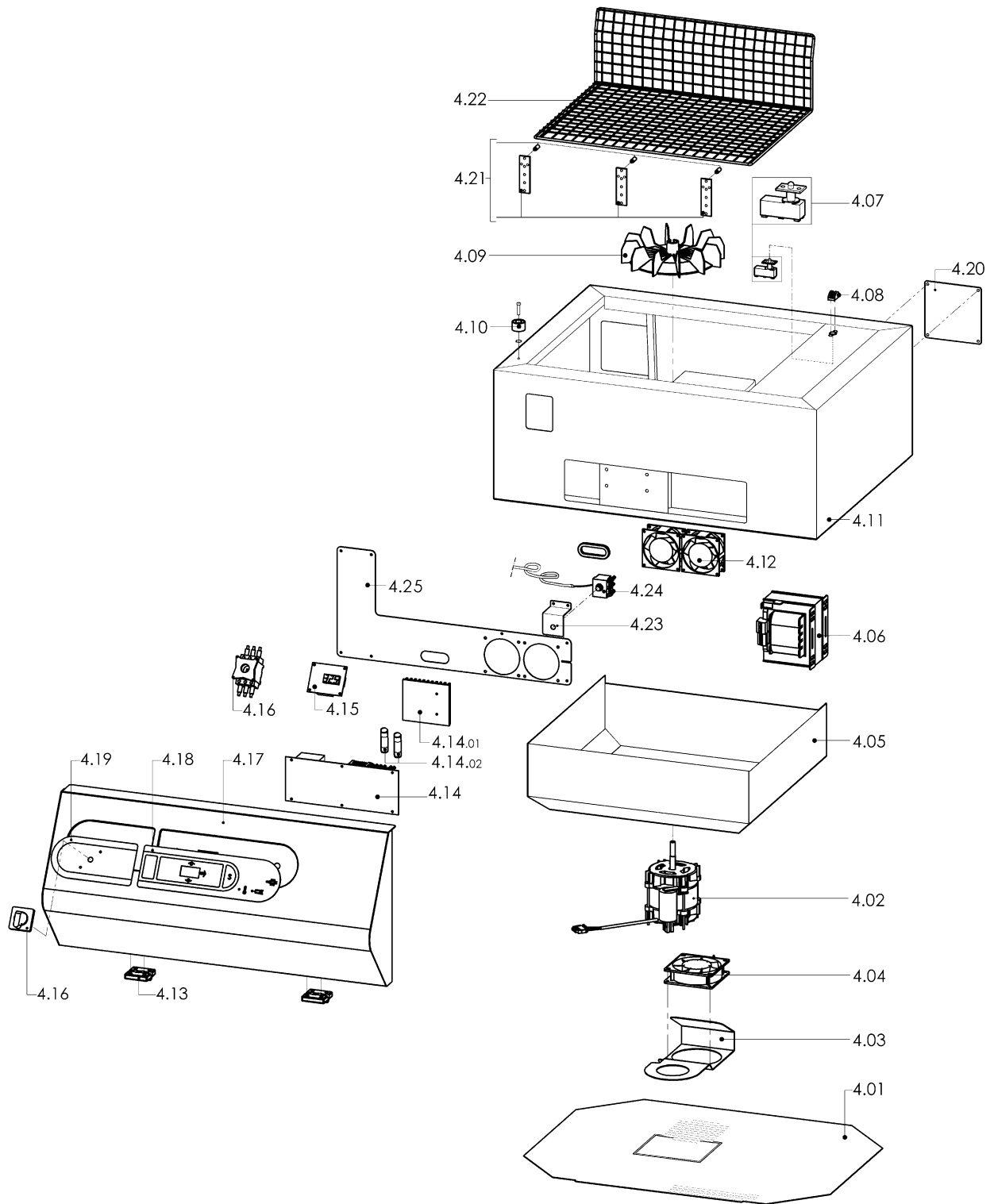
ITEMS DESCRIPTION	SCHEME 3
--------------------------	-----------------

Pos.	Code	Description
3.01	PC32B001	RAL7016B. packaging plate pre-assembly
3.01.01	FM091137	RAL7016B. packaging plate
3.01.02	FM300097	Packaging plate frame
3.01.01	FM091176	Inox packaging plate (optional)
3.02	PB32B001	RAL7035B. roll support pre-assembly
3.03	FM091132	RAL7035B. roll support
3.04	FM030004	Microperforator rod
3.05	FM710320	Idle roll
3.06	S0K00605	Microperforator with needles kit
3.07	S0K00607	Slotted microperforator kit
3.08	FM340510	Support x reel holder roller
3.09	S02A0602	Film roll tube kit
3.10	FM220524	Z" shaped channel for male guide
3.11	FM220522	Upper male guide corner
3.12	FM220511	Female guide corner
3.13	S02A0908	Coupled guides kit
3.14	PB32N001	Second film roll support kit (optional)
3.14.01	FM090333	Left second film roll support
3.14.02	FM090332	Right second film roll support



ITEMS DESCRIPTION	SCHEME 4
--------------------------	-----------------

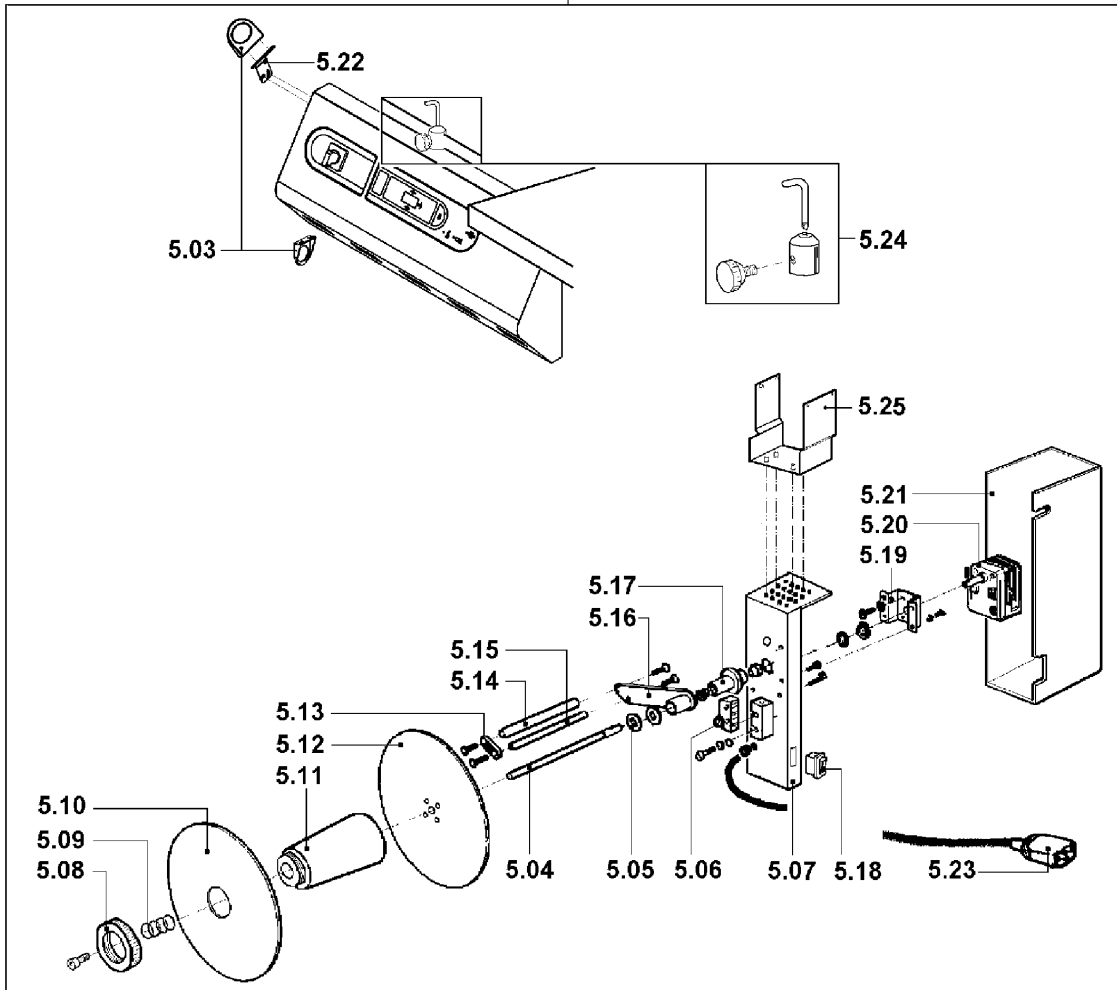
Pos.	Code	Description
4.01	FM090320	Lower cover
4.02	FE241057 FE240023	Single-phase motor 230V Single-phase motor 200V
4.03	FM090982	Ventilator support
4.04	FE260020 FE260022	Ventilator 230V Ventilator 200V
4.05	FM090208	Lower hood
4.06	FE440618	Transformer 2400VA (200-230V)
4.07	S0K01208	Hood microswitch kit
4.08	FM230002	Microswitch guard
4.09	S0K01121	Fan kit
4.10	FE130013	Electromagnet
4.11	No code	RAL7035B. fairing
4.12	FE260034	230V ventilator 200V ventilator
4.13	FM510084	Hinge
4.14	FE120264 FE120255	Power board 230V Power board 200V
4.14.01	FM281612	Heat sink plate
4.14.02	FE290407	Fuse 10.3X38 AM 16A (200-230V)
4.15	FE120632	Control board
4.16	FE080001	Main switch 20A (200-230V)
4.17	FM091128	RAL7035B. front panel
4.18	FE120601	Membrane keyboard
4.19	FM110340	Push button panel adhesive
4.20	FM091148	RAL7035B. rear panel
4.21	S0K01301	Screened plate front support
4.22	FM130002	Reticulated plate
4.23	FM095966	Support
4.24	FE430013	Safety thermostat (See the position 1.19)
4.25	FM095965	Plate



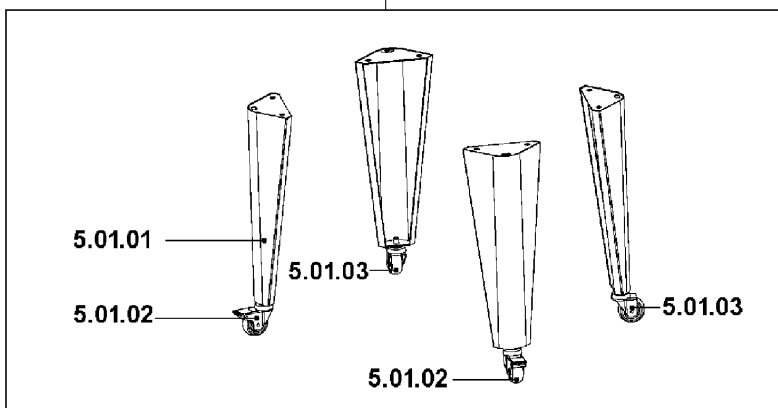
ITEMS DESCRIPTION	SCHEME 5
--------------------------	-----------------

Pos.	Code	Description
5.01	GB31B001	RAL7035B. supports kit
5.01.01	FM091036	RAL7035B. support
5.01.02	FM770522	Wheel Ø80 with brake
5.01.03	FM770521	Wheel Ø80
5.02	AV990A15	(200-230V) Rewinder group
5.03	FM160231	Film guiding ring
5.04	FM010041	Film rewinder shaft
5.05	FM160111	Washer
5.06	FE220105	Microswitch
5.07	FM290175	Rewinder support
5.08	FM160104	Ring nut
5.09	FM170161	Spring
5.10	FM120040	Movable flange
5.11	FM250128	Hub
5.12	FM120041	Fixed flange
5.13	FM280326	Plate
5.14	FM250074	Roller
5.15	FM030063	Rod
5.16	FM060027	Lever
5.17	FM290172	Lever support
5.18	FE190032	Switch
5.19	FM290107	Gearmotor support
5.20	FE250016	200-220V gearmotor
5.21	FM095138	Case
5.22	FM290525	Film guiding ring square
5.23	FE310121	Cable 3X0,75X1000
5.24	S0K00407	Film guide kit
5.25	FM290432	RAL9005B. rewinder support

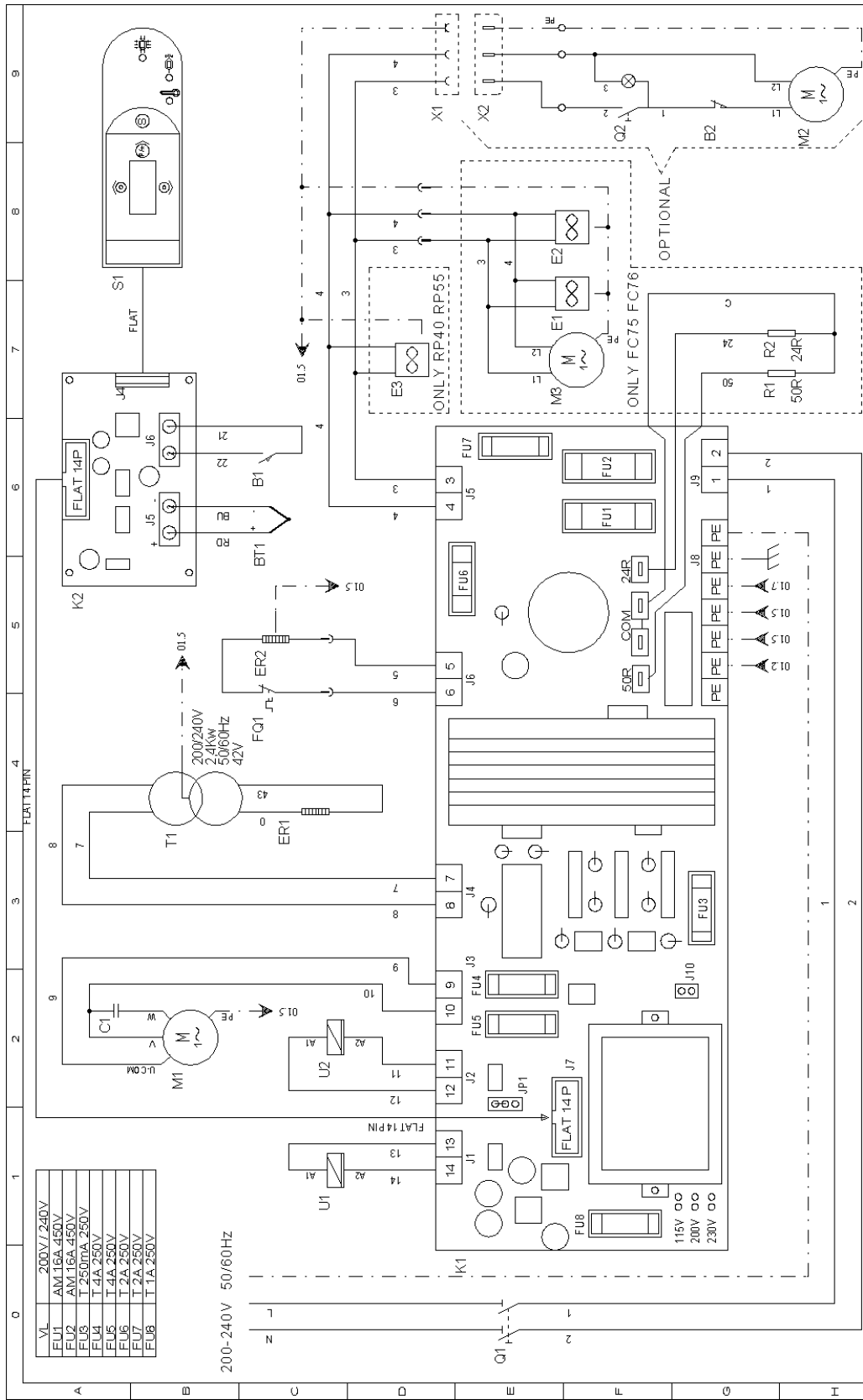
5.02



5.01



200-230V WIRING DIAGRAM



	PROGETTO: FOGLIO 01 CODICE: DI 01 DISEGNO NR: WDMF3101 TITOLO: SCHEMA ELETTRICO
	DISEGNATORE: Boldori DATA: 11.11.2008
	MODIFICA
1	09/11/2009
2	11/11/2009
REV	DATA FIRMA

WIRING DIAGRAM DESCRIPTION

B1	Cycle start limit switch
B2	Rewinder limit switch
BT1	Thermocouple
C1	Motor capacitor
E1/2	Cooling fan
E3	Cooling fan
ER1	Sealing blade heater
ER2	Shrinking heater
FQ1	Safety thermostat
FU1/2	Line fuse 10.3X38
FU3	Card supplier fuse 5X20
FU4/5	Fan motor fuse 5X20
FU6/7	Ventilator fuse, cooling pump, rewinder 5X20
FU8	Magnet fuse 5X20
K1	Power board
K2	Control board
M1	Fan motor
M2	Rewinder motor
M3	Cooling pump motor
Q1	Motor brake resistor
Q2	Motor brake resistor
R1	Main switch
R2	Rewinder switch
S1	Membrane keyboard
T1	Cutting transformer
U1	Shrinking magnet
U2	Sealing magnet
X1	Rewinder power supply socket
X2	Rewinder power supply plug



Minipack-torre S.p.A.

Via Provinciale, 54 - 24044 DALMINE (BG) - ITALY

Tel. (035) 563525 – Fax (035) 564945

E-mail: info@minipack-torre.it

Internet: www.minipack-torre.it