



**Minipack-torre S.p.A.**  
Via Provinciale, 54 - 24044 Dalmine (BG) - Italy  
Tel. (035) 563525  
E-mail: info@minipack.it  
<http://www.minipack.it>



# Replay 55 evo

(Machine code: MF32BA20 – MF32BA21 – MF32BA22 – MF32BD20)

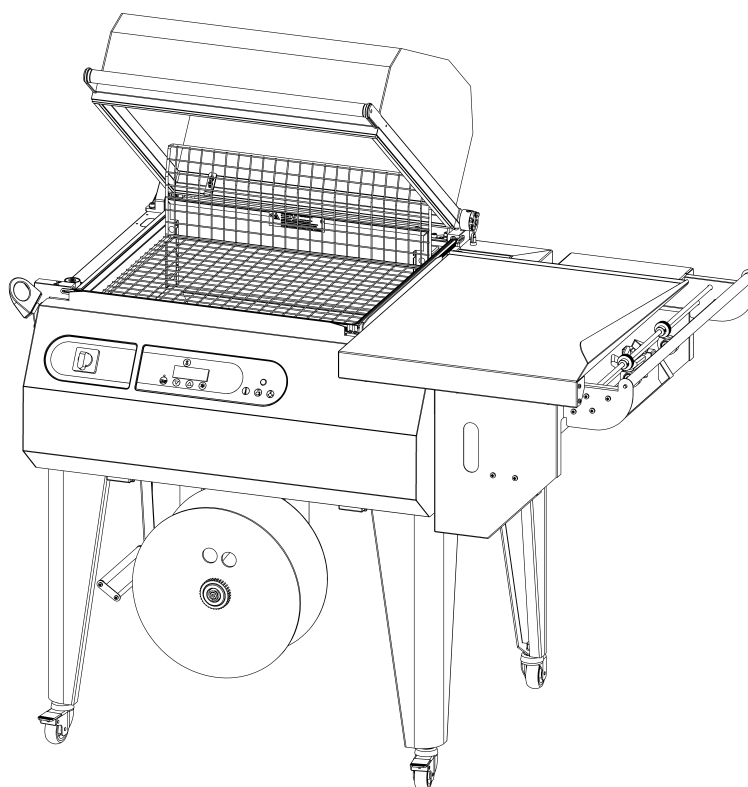
## Spare parts catalogue

MF32BA20: Valid from s.n. 1801199 dated 03.2018

MF32BA21: Valid from s.n. 1804967 dated 12.2018

MF32BD20: Valid from s.n. 1800730 dated 02.2018

REV. 01: version with micro switch B1 NC



CAREFULLY READ THIS CATALOGUE BEFORE ORDERING ANY SPARE PART



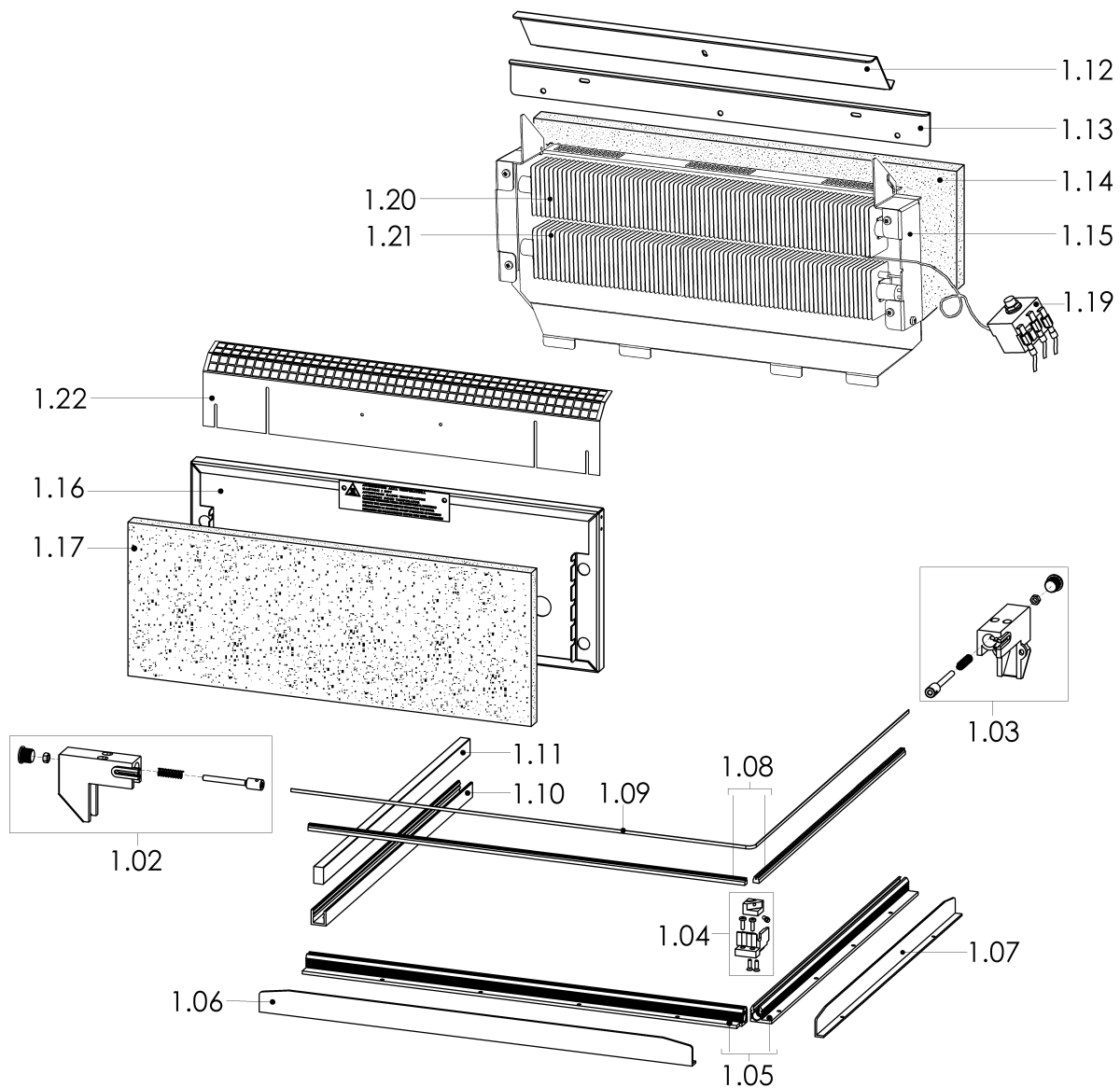
DOC. N. FM112264  
REV. 01  
Ed: 12.2022

<b>ITEMS DESCRIPTION</b> (valid for 230V)	<b>SCHEME 1</b>
--	-----------------

<b>Pos.</b>	<b>Code</b>	<b>Description</b>
1.02	S0K00301	Front clamp kit
1.03	S0K00302	Rear clamp kit
1.04	S0K00306	Blade holder central clamp kit
1.05	S02A0306	Infill holder channel kit
1.06	S02A0901	Front guard kit
1.07	S02A0903	Side guard kit
1.08	S02A0310	Infill blocks kit
1.09	KR020001	Teflon-coated sealing blade
1.10	FM220265	Lower rubber holder side channel
1.11	FM350006	15x10 lg.530mm Neoprene rubber
1.12	FM281334	Heating chamber flap
1.13	FM091185	Rear reinforcement
1.14	FM195123	Rock wool panel
1.15	FM091370	Heaters rear plate
1.16	FM091124	Heaters front plate
1.17	FM195111	Glass wool panel
1.19	FE430013	Safety thermostat (See the position 4.24)
1.20	FE380812	Strip heater W1100 V90 (with thermocouple)
1.21	FE380811	Strip heater W1700 V140
1.22	FM090335	Air deflector (optional)

**MACHINE DETAIL DRAWING**  
(valid for 230V)

**SCHEME 1**

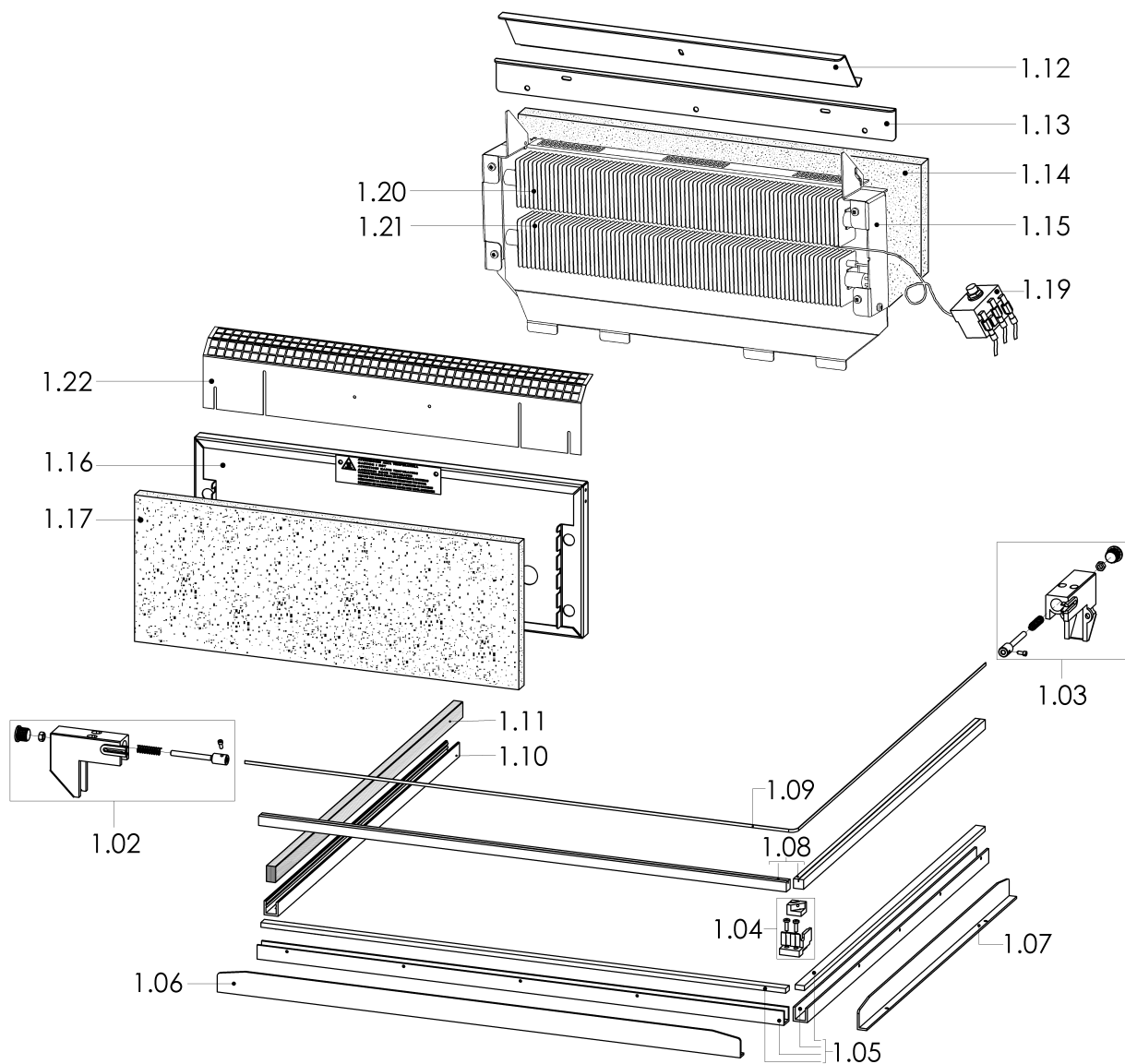


<b>ITEMS DESCRIPTION</b> (valid for 200V)	<b>SCHEME 1.1</b>
--	-------------------

<b>Pos.</b>	<b>Code</b>	<b>Description</b>
1.02	S0K00301	Front clamp kit
1.03	S0K00302	Rear clamp kit
1.04	S0K00306	Blade holder central clamp kit
1.05	S02A0311	Cutter channels kit
1.06	S02A0901	Front guard kit
1.07	S02A0903	Side guard kit
1.08	S02A0305	Blade holder bar kit
1.09	KR020001	Teflon-coated sealing blade
1.10	FM220265	Lower rubber holder side channel
1.11	FM350006	15x10 lg.530mm Neoprene rubber
1.12	FM281334	Heating chamber flap
1.13	FM091185	Rear reinforcement
1.14	FM195123	Rock wool panel
1.15	FM091370	Heaters rear plate
1.16	FM091124	Heaters front plate
1.17	FM195111	Glass wool panel
1.19	FE430013	Safety thermostat (See the position 4.24)
1.20	FE380812	Strip heater W1100 V90 (with thermocouple)
1.21	FE380811	Strip heater W1700 V140
1.22	FM090335	Air deflector (optional)

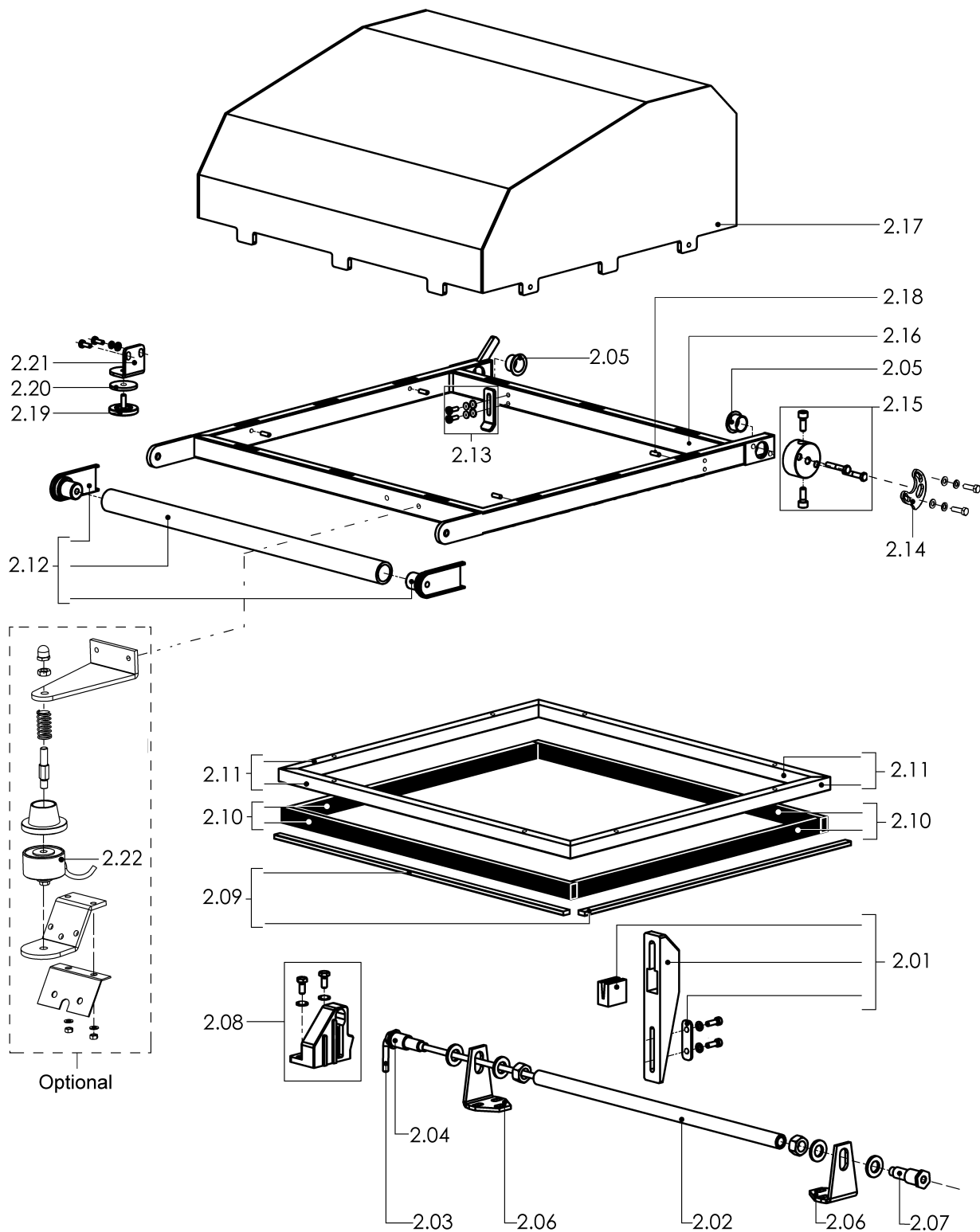
**MACHINE DETAIL DRAWING**  
(valid for 200V)

**SCHEME 1.1**



<b>ITEMS DESCRIPTION</b>	<b>SCHEME 2</b>
--------------------------	-----------------

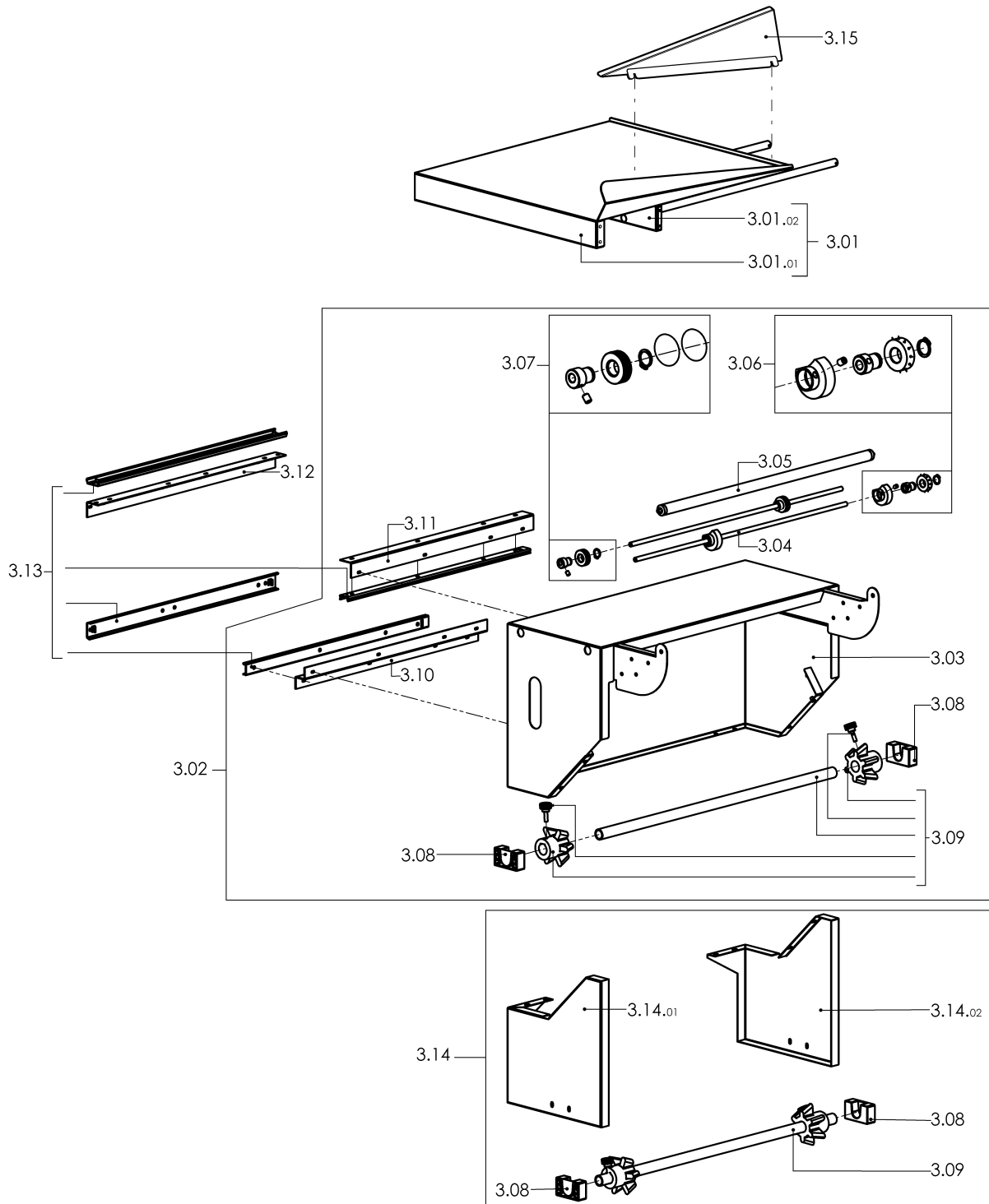
<b>Pos.</b>	<b>Code</b>	<b>Description</b>
2.01	G0K00011	Hood shock absorber kit
2.02	FM250102	Torsion bar tube
2.03	FM170002	Torsion bar
2.04	S0K01005	Hood rotation left pin kit
2.05	FM540007	Bush
2.06	FM290101	Hood support
2.07	S0K01002	Hood rotation right pin kit
2.08	S0K01004	Torsion bar housing kit
2.09	KR020002	Teflon kit
2.10	FM350095	Neoprene rubber 17x10 lg.2300mm
2.11	KR320053	Upper rubber holder channels kit
2.12	S02A0402	Handgrip kit for hood
2.13	S0K00405	Heating chamber flap opening lever kit
2.14	FM070008	Cam
2.15	S0K01001	Torsion bar blocking flange kit
2.16	FM300099	Upper hood frame
2.17	FM081028	Upper hood
	FM081034	Upper hood h.300mm (optional)
2.18	FM852207	M4x14 screw
2.19	FM160026	Electromagnet contrast
2.20	FM350011	Electromagnet contrast washer
2.21	FM280011	Electromagnet contrast square
2.22	FE130010	Electromagnet (optional)



<b>ITEMS DESCRIPTION</b>	<b>SCHEME 3</b>
--------------------------	-----------------

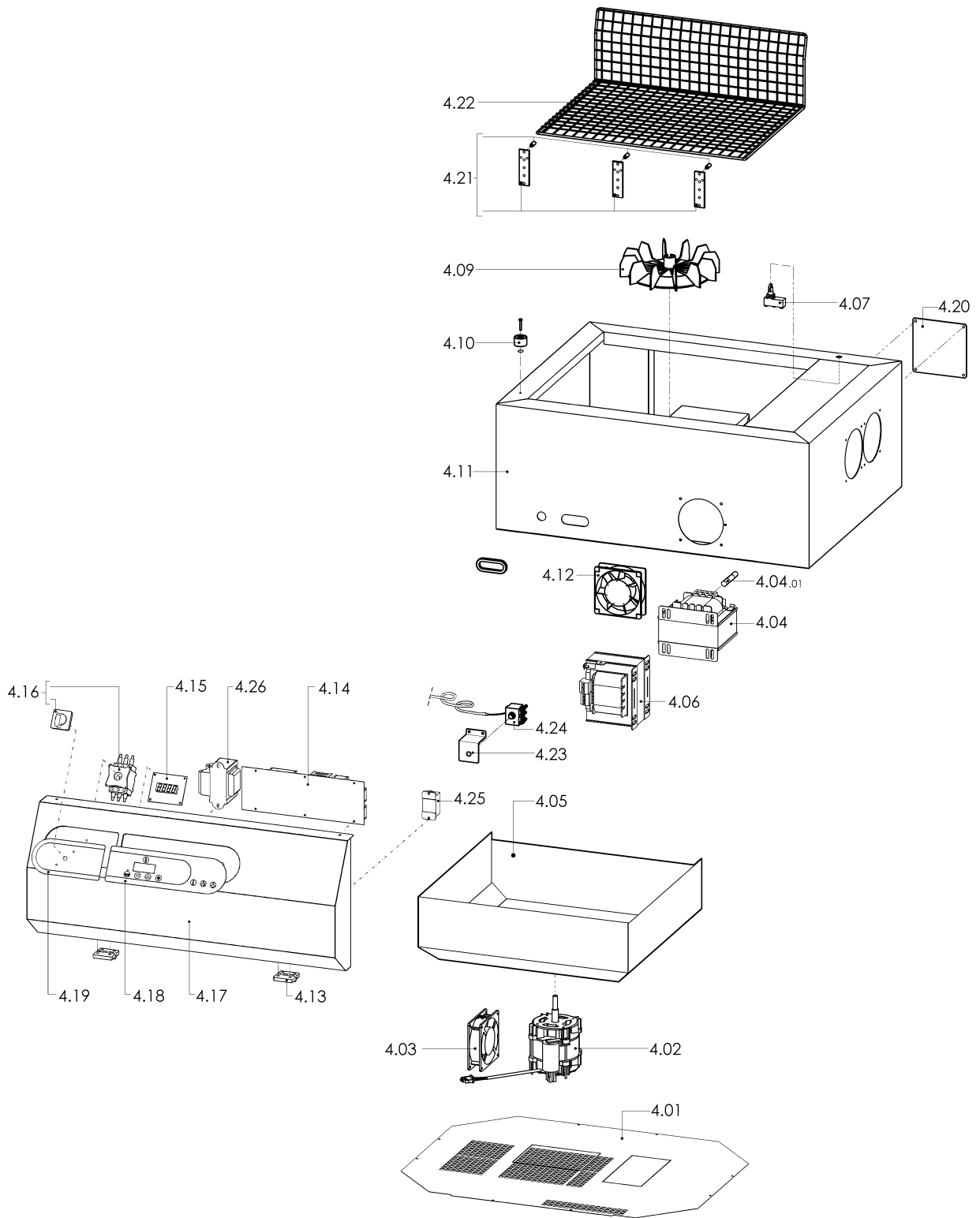
<b>Pos.</b>	<b>Code</b>	<b>Description</b>
3.01	PC32B001	RAL7016B. packaging plate pre-assembly
3.01.01	FM091137	RAL7016B. packaging plate
3.01.02	FM300097	Packaging plate frame
3.01.01	FM091176	Inox packaging plate (optional)
3.02	PB32B001	RAL7035B. roll support pre-assembly
3.03	FM091132	RAL7035B. roll support
3.04	FM030004	Microperforator rod
3.05	FM710320	Idle roll
3.06	S0K00605	Microperforator with needles kit
3.07	S0K00607	Slotted microperforator kit
3.08	FM340510	Support x reel holder roller
3.09	S02A0602	Film roll tube kit
3.10	FM220524	"Z" shaped channel for male guide
3.11	FM220522	Upper male guide corner
3.12	FM220511	Female guide corner
3.13	S02A0908	Coupled guides kit
3.14	PB32N001	Second film roll support kit (optional)
3.14.01	FM090333	Left second film roll support
3.14.02	FM090332	Right second film roll support
3.15	FM095279	Film opener tool (optional)





<b>ITEMS DESCRIPTION</b>	<b>SCHEME 4</b>
--------------------------	-----------------

<b>Pos.</b>	<b>Code</b>	<b>Description</b>
4.01	FM090134	Lower cover
4.02	FE241062	Motor
4.03	FE260020	Ventilator
		<b>Version for MF32BA21-BA22-2BD20</b>
4.04	FE440202	Autotransformer 3500VA
4.04.01	FE290260	Fuse 6.3X32 T 20A
4.05	FM090208	Lower hood
4.06	FE440618	Transformer 2400VA
4.07	FE220136	Microswitch
4.09	S0K01121	Fan kit
4.10	FE130015	Electromagnet
4.11	FM090649	RAL7035B. fairing
4.12	FE260020	Ventilator
4.13	FM510084	Hinge
4.14	FE120288	Power board
4.15	FE120287	Control board
4.16	FE080001	Main switch 20A
4.17	FM091413	RAL7035B. front panel
4.18	FE120606	Membrane keyboard
4.19	FM110626	Push button panel adhesive
4.20	FM091148	RAL7035B. rear panel
4.21	S0K01301	Screened plate front support
4.22	FM130002	Reticulated plate
4.23	FM095966	Support
4.24	FE430013	Safety thermostat (See the position 1.19)
4.25	FE370016	Relay
4.26	FE440031	Transformer 70VA



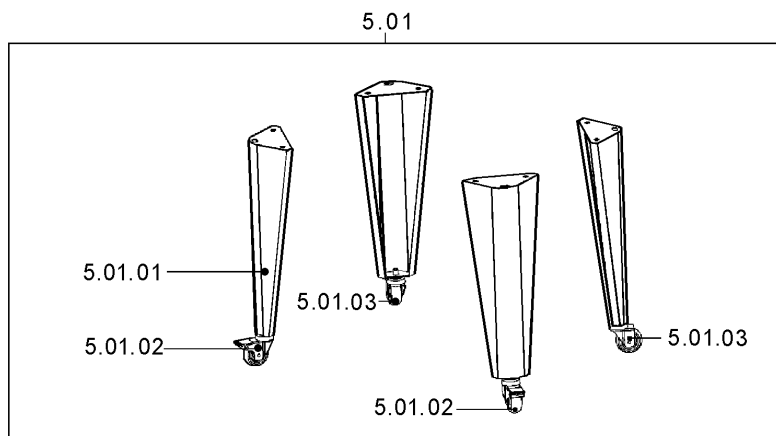
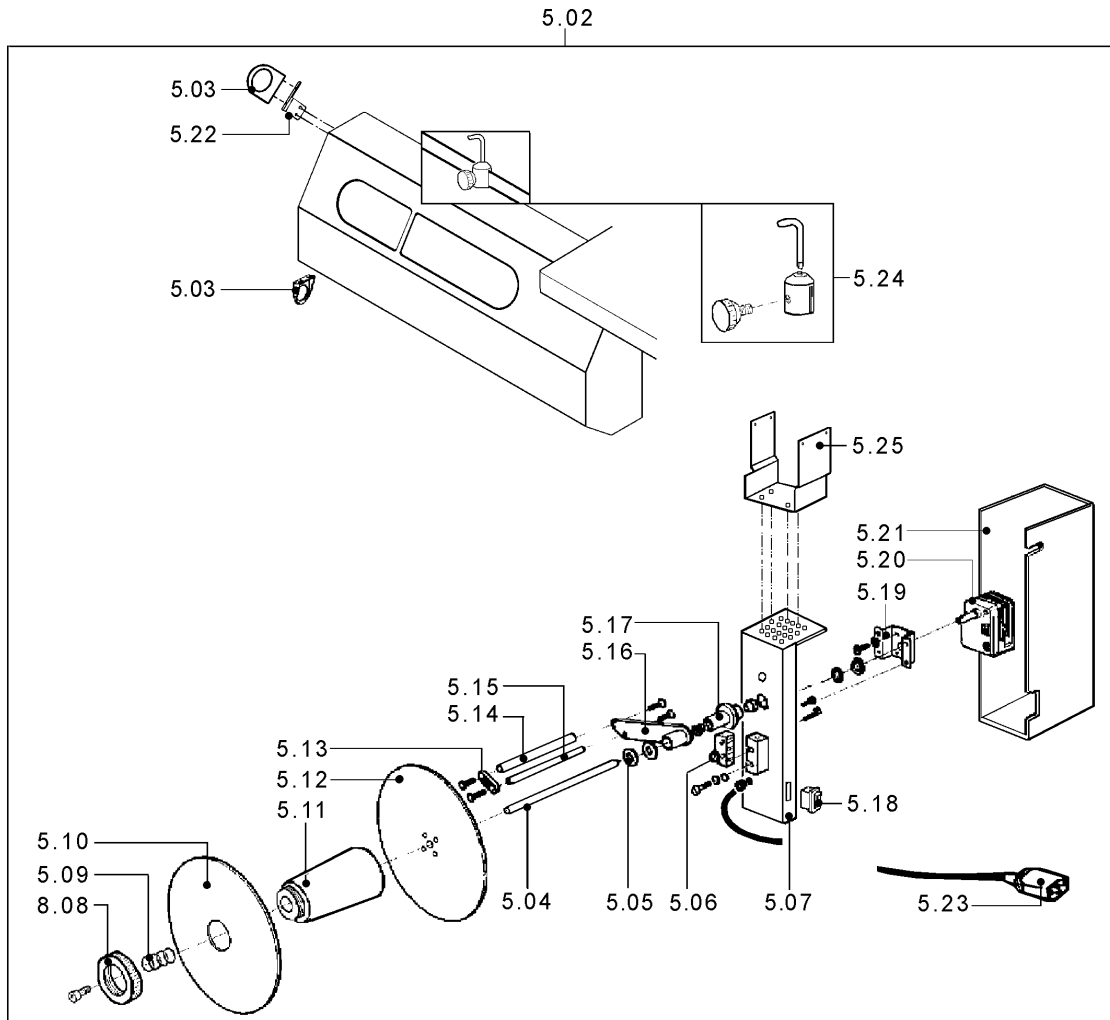
<b>ITEMS DESCRIPTION</b>	<b>SCHEME 5</b>
--------------------------	-----------------

Pos.	Code	Description
5.01	GB31B001	<b>Valid for MF32BA20-MF32BA21 (230V)</b>
5.01.01	FM091036	RAL7035B. grey legs kit (h= 482mm)
5.01.02	FM770522	RAL7035B. grey leg (h= 482mm)
5.01.03	FM770521	Wheel Ø80 with brake
		Wheel Ø80
5.01	GB31N001	<b>Valid for MF32BD20 (200V)</b>
5.01.01	FM091330	RAL9005B. black legs kit (h= 382mm)
5.01.02	FM770522	RAL9005B. black leg (h= 382mm)
5.01.03	FM770521	Wheel Ø80 with brake
		Wheel Ø80

**Old rewinder:** valid up to s.n. **xxxxxx**

Pos.	Code	Description
5.02	AV990A17	Rewinder (optional)
5.03	FM160231	Film guiding ring
5.04	FM010041	Shaft
5.05	FM160111	Washer
5.06	FE220105	Microswitch
5.07	FM290175	Support
5.08	FM160104	Ring nut
5.09	FM170161	Spring
5.10	FM120040	Movable flange
5.11	FM250128	Hub
5.12	FM120041	Fixed flange
5.13	FM280326	Plate
5.14	FM250074	Roller
5.15	FM030076	Rod
5.16	FM060027	Lever
5.17	FM290172	Lever support
5.18	FE190032	Switch
5.19	FM290107	Gearmotor support
5.20	FE250015	Gearmotor
5.21	FM095138	Case
5.22	FM290525	Film guiding ring square
5.23	FE310120	Cable 3x0,75x1500
5.24	S0K00407	Film guide kit
5.25	FM291417	Rewinder support

Old rewinder: valid up to s.n. xxxxxx



<b>ITEMS DESCRIPTION</b>	<b>SCHEME 5.1</b>
--------------------------	-------------------

Pos.	Code	Description
5.01	GB31B001	<b>Valid for MF32BA20-MF32BA21 (230V)</b>
5.01.01	FM091036	RAL7035B. grey legs kit (h= 482mm)
5.01.02	FM770522	RAL7035B. grey leg (h= 482mm)
5.01.03	FM770521	Wheel Ø80 with brake
		Wheel Ø80
5.01	GB31N001	<b>Valid for MF32BD20 (200V)</b>
5.01.01	FM091330	RAL9005B. black legs kit (h= 382mm)
5.01.02	FM770522	RAL9005B. black leg (h= 382mm)
5.01.03	FM770521	Wheel Ø80 with brake
		Wheel Ø80

**New rewinder:** valid from s.n. **xxxxxx**

5.02	AV990A17	Rewinder (optional)
5.03	FM160231	Film guiding ring
5.04	FM010001	Shaft
5.05	FM160111	Washer
5.06	FE220105	Microswitch
5.07	FM090211	Motor case
5.08	FM160104	Ring nut
5.09	FM170161	Spring
5.10	FM120040	Movable flange
5.11	FM250128	Hub
5.12	FM120041	Fixed flange
5.13	FM280326	Plate
5.14	FM250074	Roller
5.15	FM030076	Rod
5.16	FM060027	Lever
5.17	FM290172	Lever support
5.18	FE190032	Switch
5.19	FM291403	Plate
5.20	FE250015	Gearmotor
5.21	FM096519	Case
5.22	FM290525	Film guiding ring square
5.23	FE310120	Cable 3x0,75x1500
5.24	S0K00407	Film guide kit
5.25	FM291417	RAL9005B. rewinder support

New rewinder: valid from s.n. **xxxxxx**

