



Minipack-torre S.p.A.
Via Provinciale, 54 - 24044 Dalmine (BG) - Italy
Tel. (035) 563525
E-mail: info@minipack.it
<http://www.minipack.it>

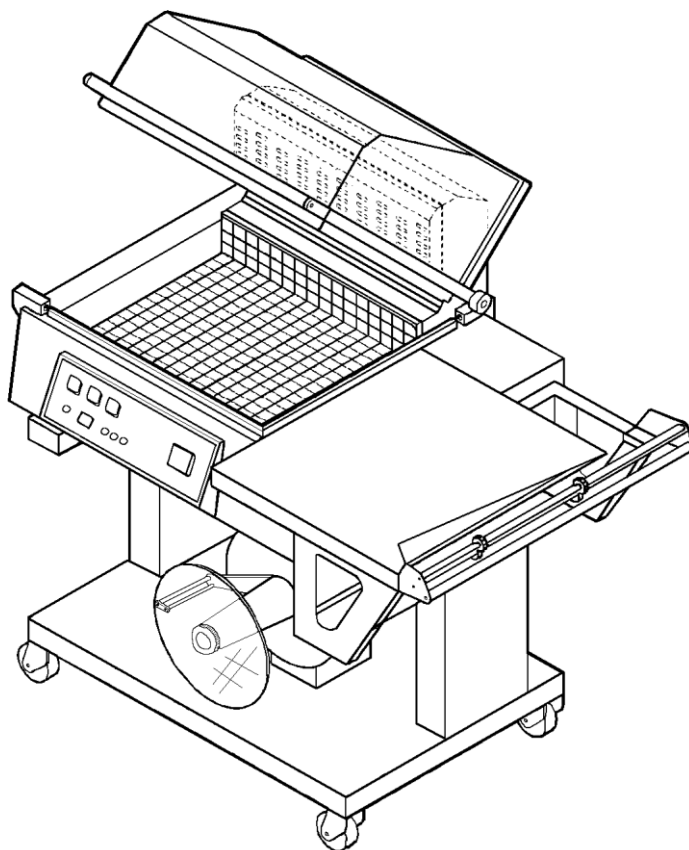


Synthesis

(Machine code: **MF02AA85**, **MF02IA85**)

Spare parts catalogue

(Valid from serial number 1626 dated 07.2000)



CAREFULLY READ THIS CATALOGUE BEFORE ORDERING ANY SPARE PART



DOC. N. FM112008
REV. 04
Ed: 01.2023

ITEMS DESCRIPTION**SCHEME 1**

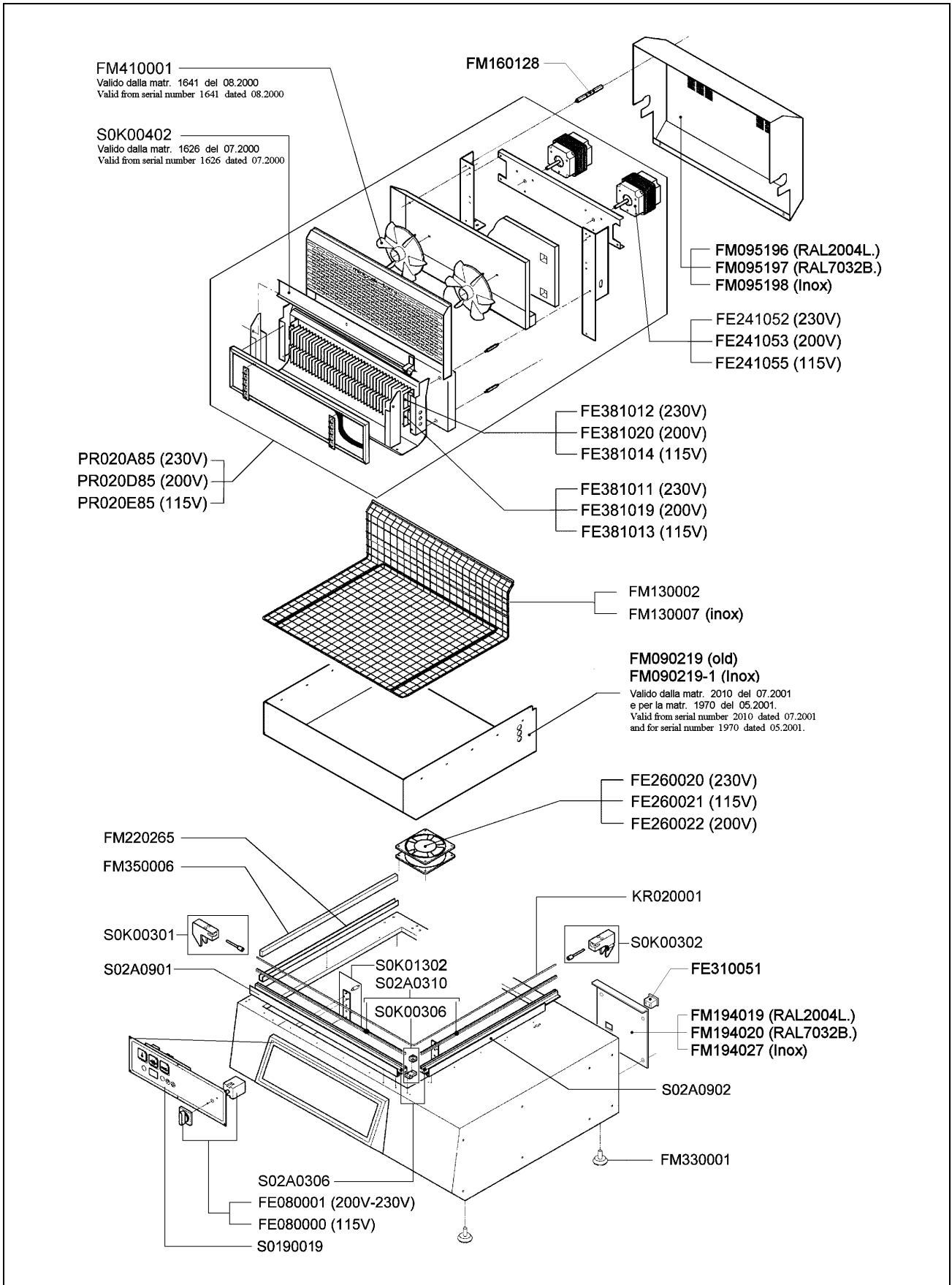
Heating chambers (230V):Valid up to serial number 3339 dated 04.2009

Code	Description
FE080001	Main switch 0-1 3P 20A (200-230V)
FE080000	Main switch 0-1 3P 32A (115V)
FE241052	Motor (230V)
FE241053	Motor (200V)
FE241055	Motor (115V)
FE260020	Fan (230V)
FE260021	Fan (200V)
FE260022	Fan (115V)
FE310051	Presa / Plug
FE381011	Strip heater W1700 V134 (230V)
FE381019	Strip heater W1700 V123 (200V)
FE381013	Strip heater W1700 V73 (115V)
FE381012	Strip heater with termocouple W1100 V86 (230V)
FE381020	Strip heater with termocouple W1100 V77 (200V)
FE381014	Strip heater with termocouple W1100 V47 (115V)
FM090219-1	Lower hood
FM090219	Lower hood (Old)
FM095196	Rear carter (RAL2004L.)
FM095197	Rear carter (RAL7032B.)
FM095198	Rear carter (stainless steel)
FM130002	Reticulated plate
FM130007	Reticulated plate (stainless steel)
FM160128	Distanziale / Spacer
FM194019	Electric system panel (RAL2004L.)
FM194020	Electric system panel (RAL7032B.)
FM194027	Electric system panel (stainless steel)
FM220265	Rubber holder side channel
FM330001	Foot
FM350006	Neoprene rubber 15x10
FM410001	Fan (valid from s.n. 1641)
KR020001	Teflon-coated sealing blade
PR020A85	Heating chamber (230V)
PR020D85	Heating chamber (200V)
PR020E85	Heating chamber (115V)
S0190019	Panel + electronic board
S02A0306	Infill holder channel kit
S02A0310	Blade holder infill kit
S02A0901	Front guard kit
S02A0902	Side guard kit
S0K00301	Front clamp kit
S0K00302	Rear clamp kit
S0K00306	Blade holder central clamp kit
S0K00402	Flap kit (valid from s.n. 1626)
S0K01302	Support reticulated plate kit

ITEMS DESCRIPTION

SCHEME 1

Heating chambers (230V): Valid up to serial number 3339 dated 04.2009



ITEMS DESCRIPTION**SCHEME 1.1**

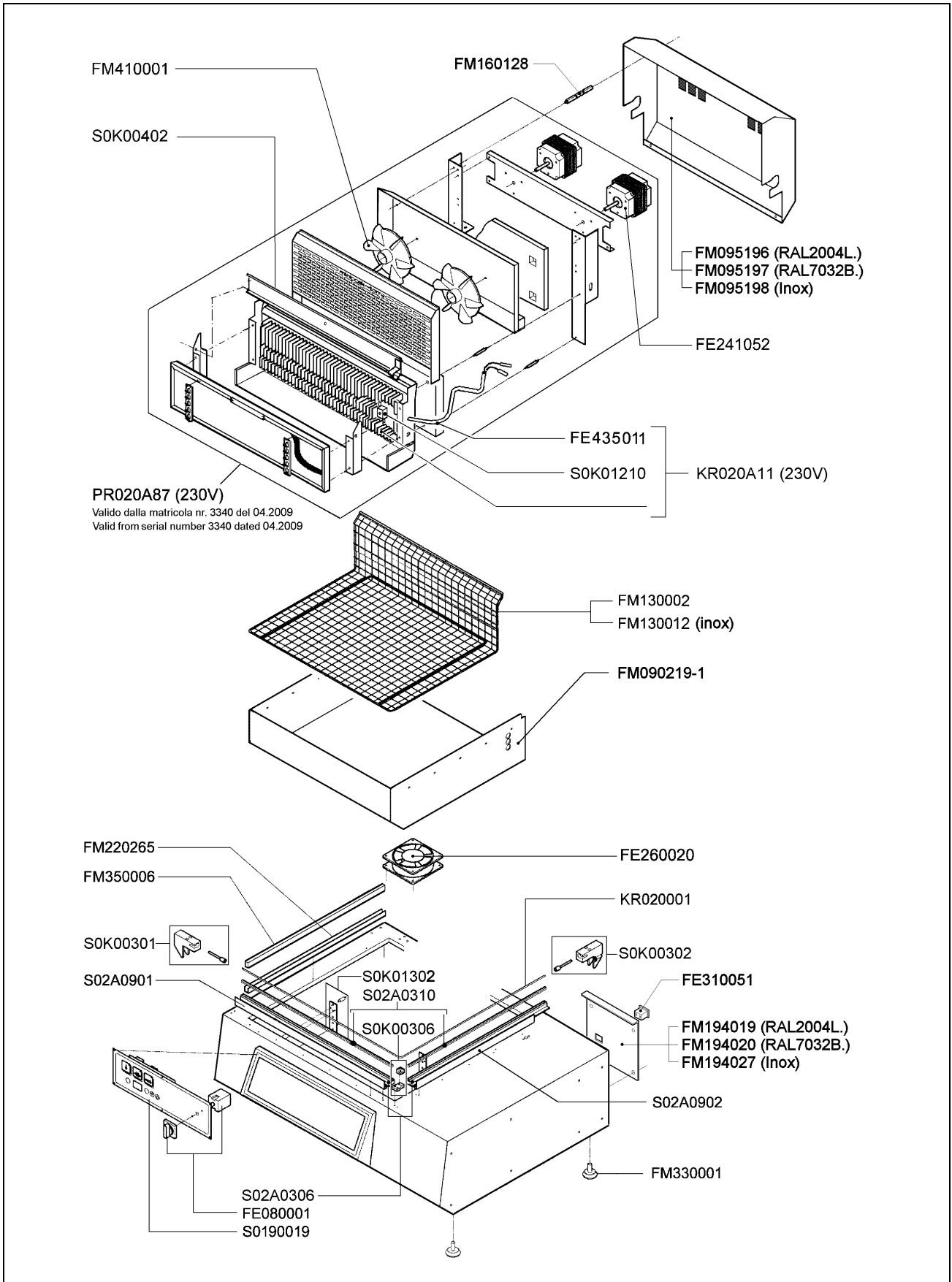
Heating chambers (230V):Valid from serial number 3340 dated 04.2009 up to 2236713 up to 04.2022

Code	Description
FE080001	Main switch 0-1 3P 20A
FE241052	Motor
FE260020	Fan
FE310051	Plug
FM090219-1	Lower Hood
FM095196	Rear carter (RAL2004L.)
FM095197	Rear carter (RAL7032B.)
FM095198	Rear carter (Stainless steel)
FM130002	Reticulated plate
FM130012	Reticulated plate (stainless steel)
FM160128	Spacer
FM194019	Electric system panel (RAL2004L.)
FM194020	Electric system panel (RAL7032B.)
FM194027	Electric system panel (Stainless steel)
FM220205	Rubber holder side channel
FM330001	Foot
FM350006	Neoprene rubber 15x10
FM410001	Fan
KR020001	Teflon-coated sealing blade
KR020A11	Heat sink kit W2800 (230V)
FE435011	Thermocouple
S0K01210	Safety thermostat
PR020A87	Heating chamber (230V)
S0190019	Panel + electronic board
S02A0306	Infill holder channel kit
S02A0310	Blade holder infill kit
S02A0901	Front guard kit
S02A0902	Side guard kit
S0K00301	Front clamp kit
S0K00302	Rear clamp kit
S0K00306	Blade holder central clamp kit
S0K00402	Flap kit
S0K01302	Support reticulated plate kit

ITEMS DESCRIPTION

SCHEME 1.1

Heating chambers (230V): Valid from serial number 3340 dated 04.2009 up to 2236713 up to 04.2022



ITEMS DESCRIPTION**SCHEME 1.2**

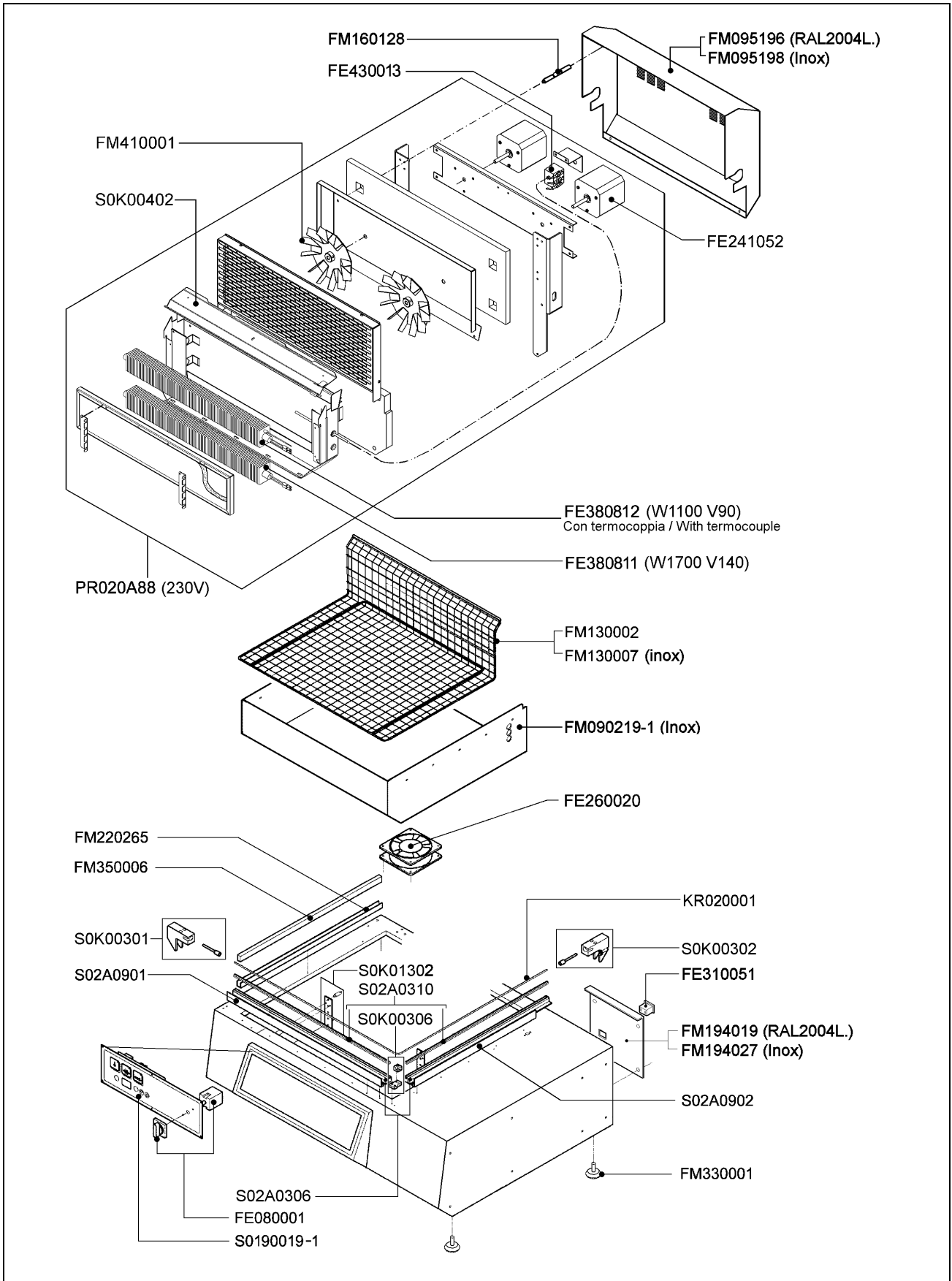
Heating chambers (230V):Valid from serial number 2239146 dated 10.2022

Code	Description
FE080001	Main switch 0-1 3P 20A
FE241052	Motor
FE260020	Fan
FE310051	Plug
FE380811	Strip heater W1700 V140
FE380812	Strip heater with termocouple W1100 V90
FE430013	Safety thermostat
FM090219-1	Lower hood
FM095196	Rear carter (RAL2004L.)
FM095198	Rear carter (Stainless steel)
FM130002	Reticulated plate
FM130007	Reticulated plate (stainless steel)
FM160128	Spacer
FM194019	Electric system panel (RAL2004L.)
FM194027	Electric system panel (stainless steel)
FM220265	Rubber holder side channel
FM330001	Foot
FM350006	15x10 Neoprene rubber
FM410001	Fan
KR020001	Teflon-coated sealing blade
PR020A88	Heating chamber (230V)
S0190019-1	Panel + electronic board
S02A0306	Infill holder channel kit
S02A0310	Blade holder infill kit
S02A0901	Front guard kit
S02A0902	Side guard kit
S0K00301	Front clamp kit
S0K00302	Rear clamp kit
S0K00306	Blade holder central clamp kit
S0K00402	Flap kit
S0K01302	Support reticulated plate kit

ITEMS DESCRIPTION

SCHEME 1.2

Heating chambers (230V): Valid from serial number 2239146 dated 10.2022



ITEMS DESCRIPTION	SCHEME 2
--------------------------	-----------------

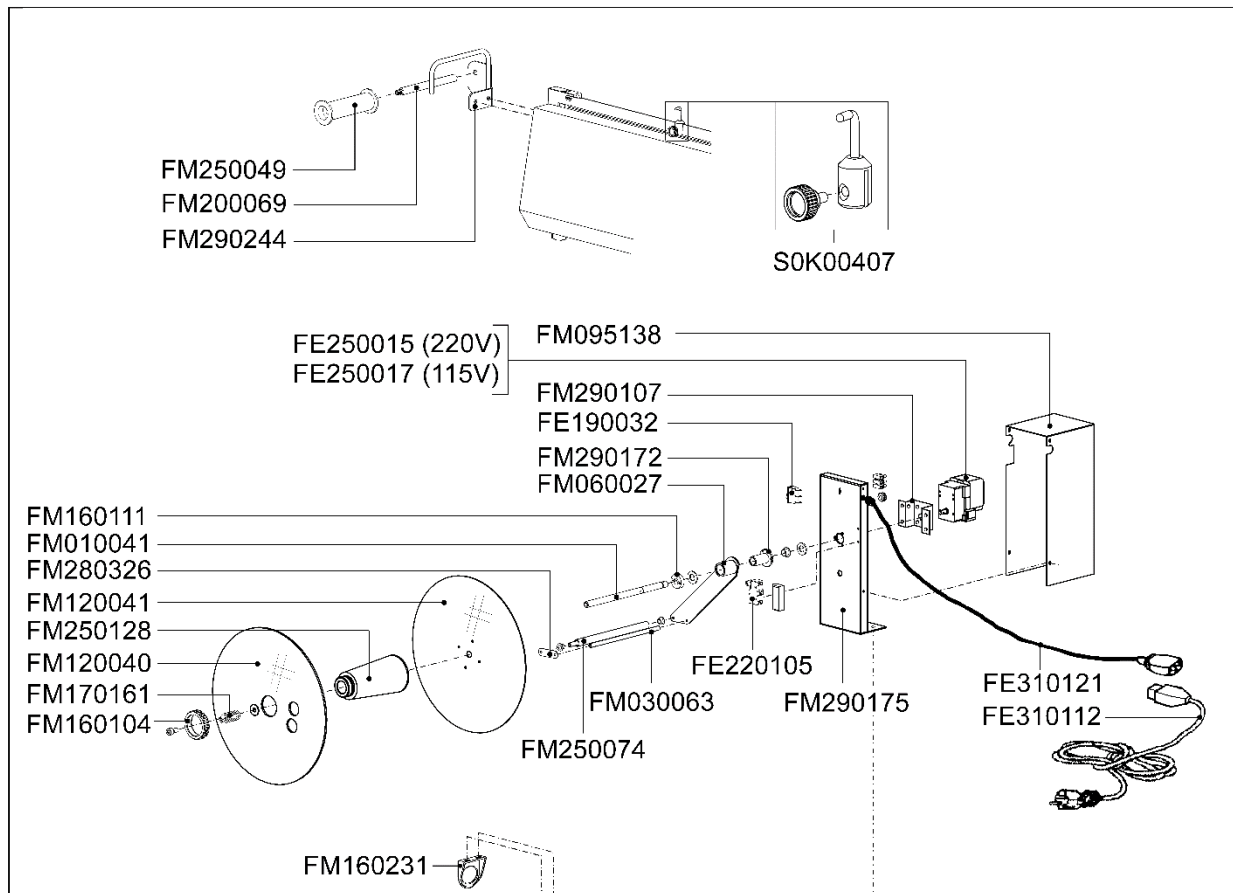
Old rewinder: valid from 01.2005 up to serial number **xxx.2022**

Code	Description
AV020A80	Rewinder (220V)
AV020E80	Rewinder (115V)
FE190032	Switch
FE220105	Microswitch
FE250015	Gearmotor (220V)
FE250017	Gearmotor (115V)
FE310112	Cable 3x0,75x2000
FE310121	Cable 3x0,75x700
FM010041	Rewinder shaft
FM030063	Rod
FM060027	Lever
FM095138	Case
FM120040	Movable flange
FM120041	Fixed flange
FM160104	Ring nut
FM160111	Washer
FM160231	Film guiding ring
FM170161	Spring
FM200069	Pin
FM250049	Roller
FM250074	Roller
FM250128	Hub
FM280326	Plate
FM290107	Gearmotor support
FM290172	Lever support
FM290175	Rewinder support
FM290244	Film transmission support
S0K00407	Film guide kit
CA02N002	Orange trolley (RAL2004L.)
CA02N003	Grey trolley (RAL7032B.)
CA02N006	Trolley (stainless steel)
FM091070	Orange right upright (RAL2004L.)
FM091073	Grey right upright (RAL7032B.)
FM091079	Right upright (stainless steel)
FM091071	Orange right upright (RAL2004L.)
FM091074	Grey right upright (RAL7032B.)
FM091080	Right upright (stainless steel)
FM091072	Orange base plane (RAL2004L.)
FM091075	Grey base plane (RAL7032B.)
FM091081	Base plane (stainless steel)
FM770521	Wheel Ø80
FM770523	Wheel Ø80 (stainless steel)
FM770522	Wheel Ø80 with brake
FM770524	Wheel Ø80 with brake (stainless steel)

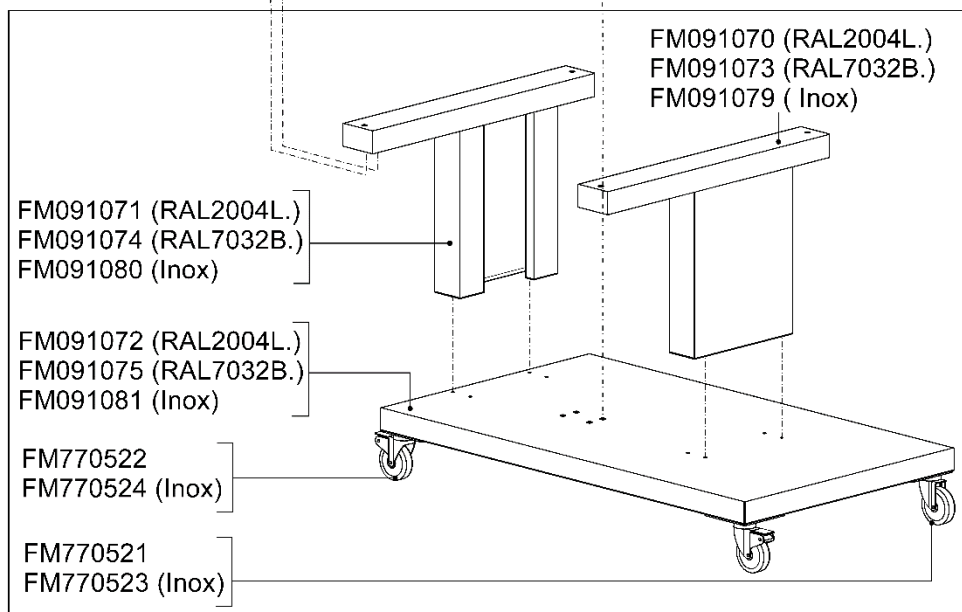
ITEMS DESCRIPTION

SCHEME 2

Old rewinder: valid from 01.2005 up to serial number **xxx.2022**



AV020A80 (220V)
AV020E80 (115V)



CA02N002 (RAL2004L.)
CA02N003 (RAL7032B.)
CA02N006 (Inox)

ITEMS DESCRIPTION	SCHEME 2.1
--------------------------	-------------------

New rewinder: valid from serial number **xxx.2022**

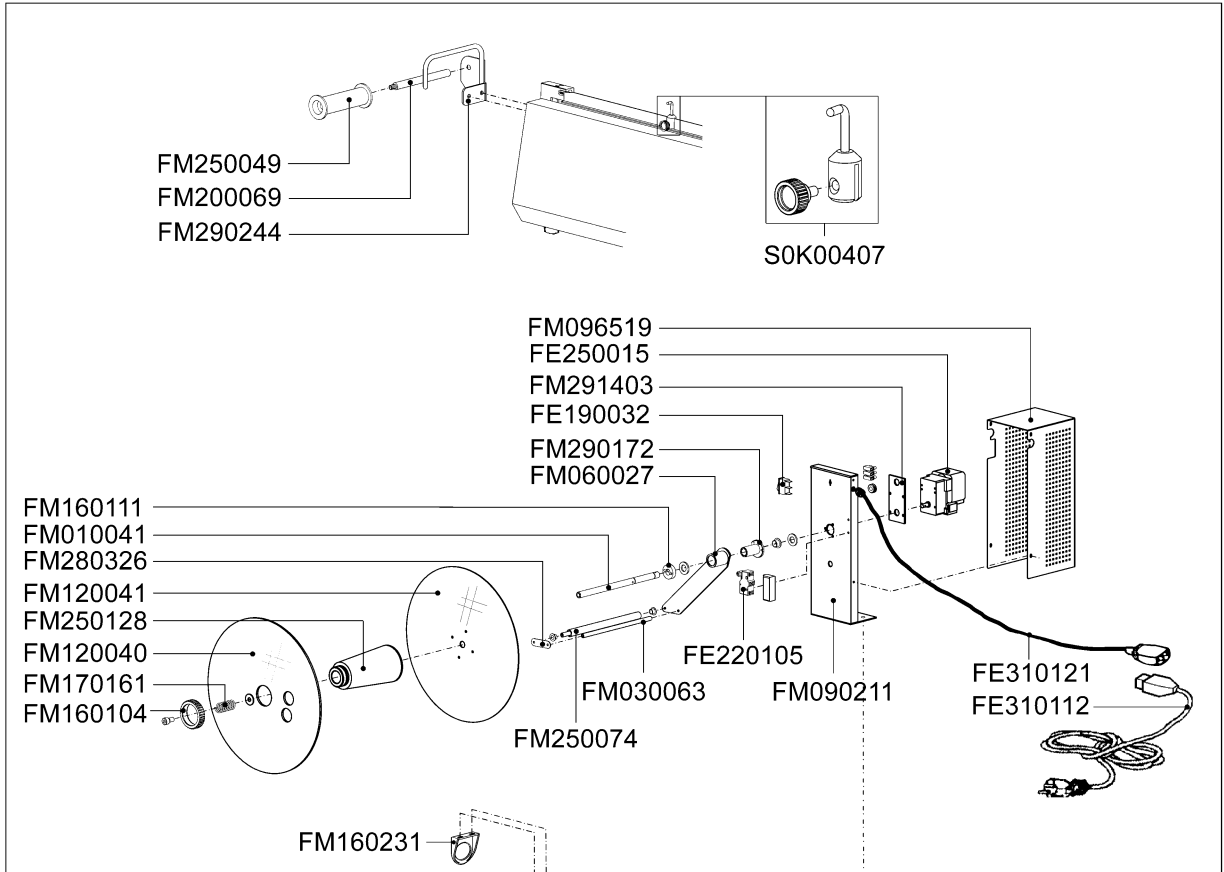
Code	Description
AV020A80	Rewinder (220V)
FE190032	Switch
FE220105	Microswitch
FE250015	Gearmotor (220V)
FE310112	Cable 3x0,75x2000
FE310121	Cable 3x0,75x700
FM010041	Rewinder shaft
FM030063	Rod
FM060027	Lever
FM096519	Case
FM120040	Movable flange
FM120041	Fixed flange
FM160104	Ring nut
FM160111	Washer
FM160231	Film guiding ring
FM170161	Spring
FM200069	Pin
FM250049	Roller
FM250074	Roller
FM250128	Hub
FM280326	Plate
FM291403	Plate
FM290172	Lever support
FM090211	Motor case
FM290244	Film transmission support
S0K00407	Film guide kit

CA02N002	Orange trolley (RAL2004L.)
CA02N003	Grey trolley (RAL7032B.)
CA02N006	Trolley (stainless steel)
FM091070	Orange right upright (RAL2004L.)
FM091073	Grey right upright (RAL7032B.)
FM091079	Right upright (stainless steel)
FM091071	Orange right upright (RAL2004L.)
FM091074	Grey right upright (RAL7032B.)
FM091080	Right upright (stainless steel)
FM091072	Orange base plane (RAL2004L.)
FM091075	Grey base plane (RAL7032B.)
FM091081	Base plane (stainless steel)
FM770521	Wheel Ø80
FM770523	Wheel Ø80 (stainless steel)
FM770522	Wheel Ø80 with brake
FM770524	Wheel Ø80 with brake (stainless steel)

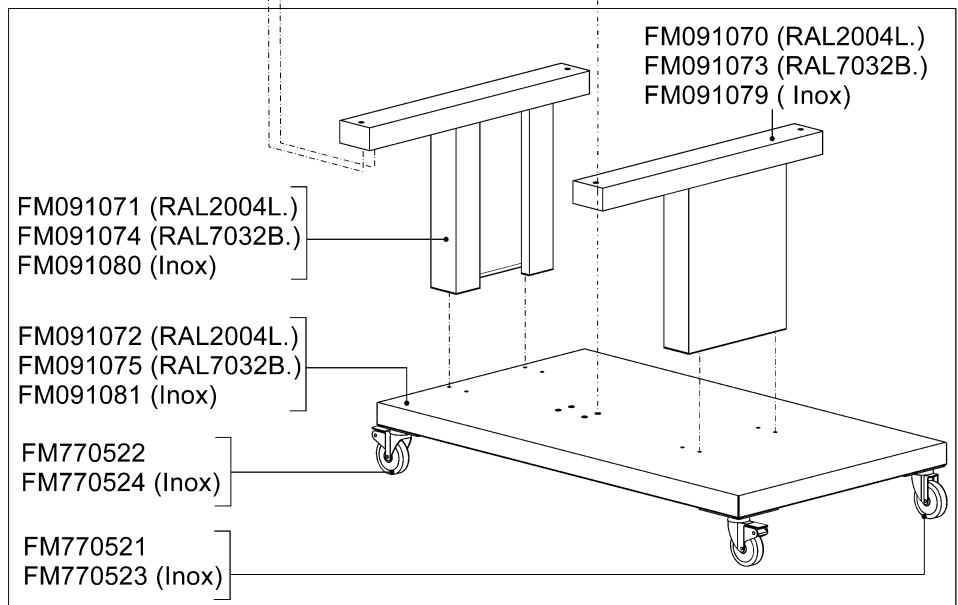
ITEMS DESCRIPTION

SCHEME 2.1

New rewinder: valid from serial number **xxx.2022**



AV020A80 (220V)



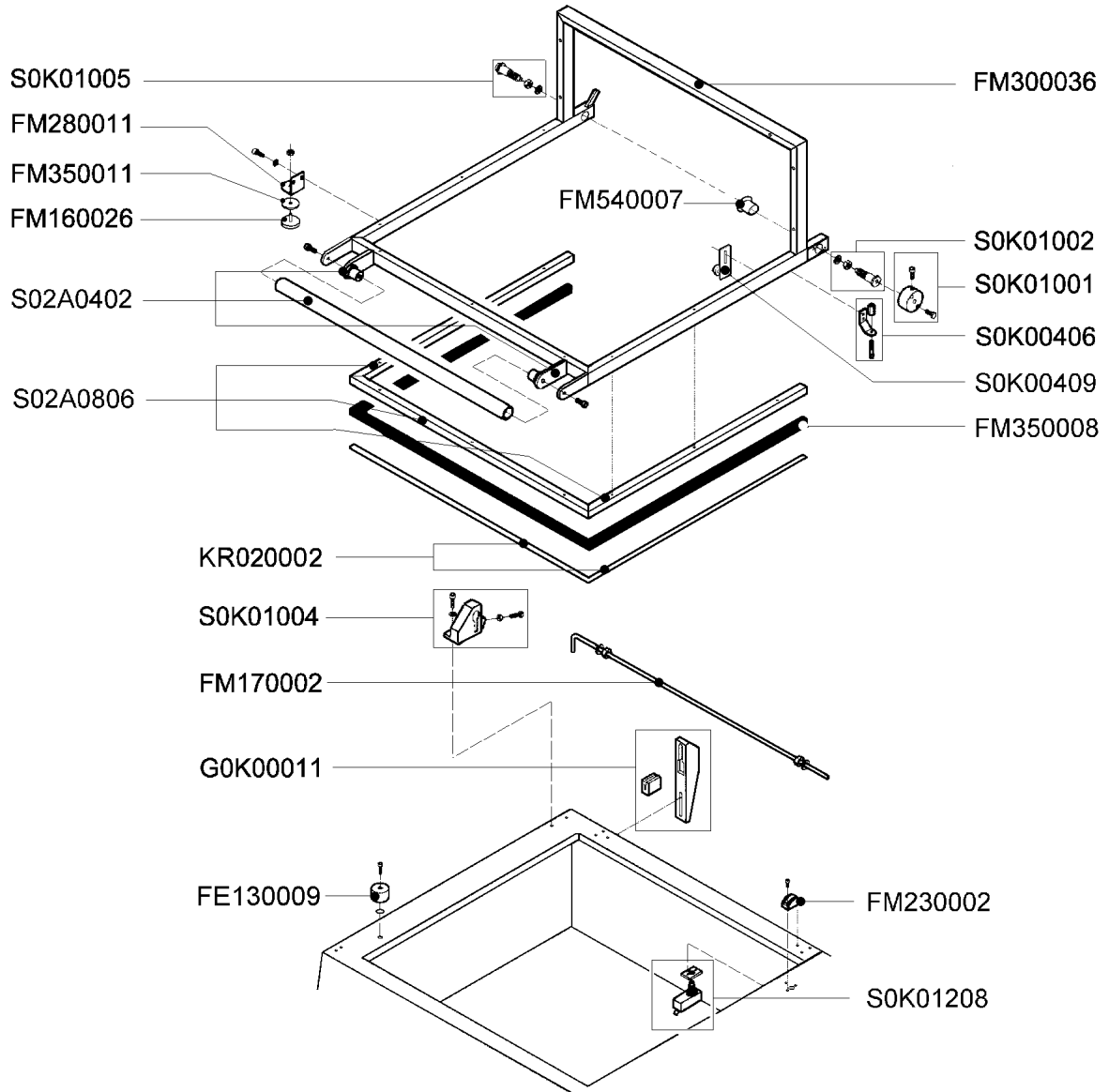
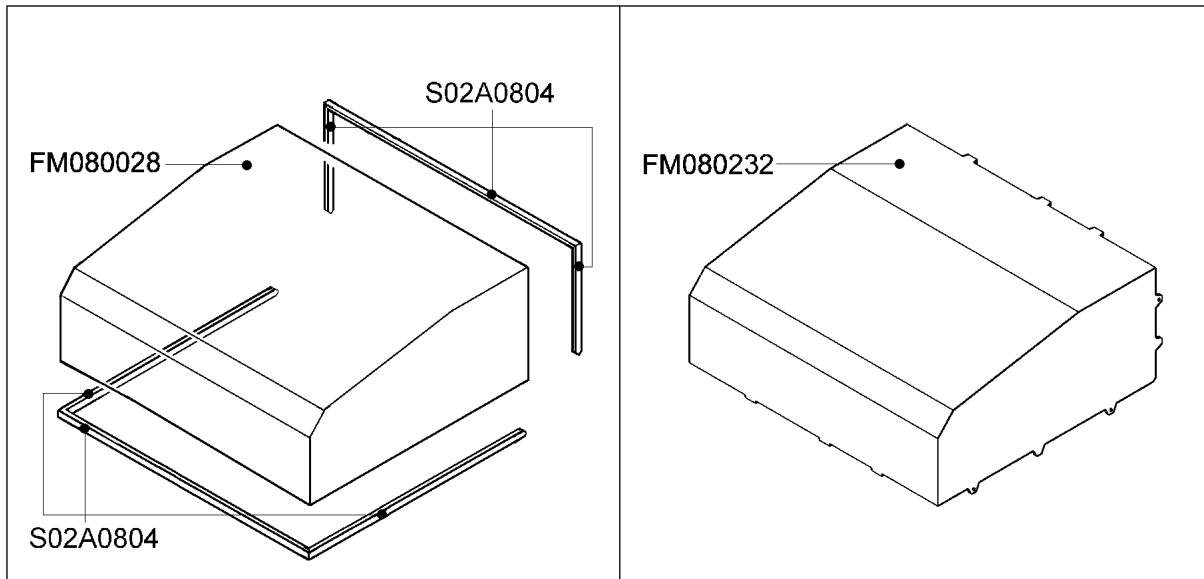
CA02N002 (RAL2004L.)
 CA02N003 (RAL7032B.)
 CA02N006 (Inox)

ITEMS DESCRIPTION**SCHEME 3**

Code	Description
FE130009	Electromagnet
FM080232	Upper hood (valid from s.n. 2236283 dated 05.2022)
FM080028 (old)	Upper hood (valid up to s.n. 2134986 dated 12.2021)
FM160026	Electromagnet contrast
FM170002	Torsion bar
FM230002	Microswitch protection
FM280011	Electromagnet square
FM300036	Upper hood frame
FM350008	White silicone rubber
FM350011	Electromagnet contrast washer
FM540007	Antifriction bush
G0K00011	Hood shock absorber kit
KR020002	Teflon kit
S02A0402	Handgrip kit for hood
S02A0804 (old)	Lock channels kit (valid up to s.n. 2134986 dated 12.2021)
S02A0806	Rubber holder channels kit
S0K00406	Microswitch screw kit
S0K00409	Lever kit for heating chamber flap opening
S0K01001	Torsion bar blocking flange kit
S0K01002	Hood rotation right pin kit
S0K01004	Torsion bar housing kit
S0K01005	Hood rotation left pin kit
S0K01208	Hood microswitch kit

ITEMS DESCRIPTION

SCHEME 3



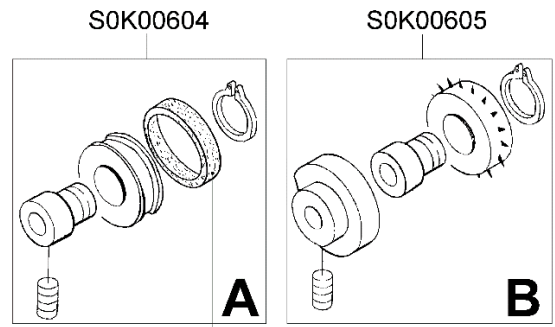
ITEMS DESCRIPTION	SCHEME 4
--------------------------	-----------------

Code	Description
PB02A083	Orange roll support (RAL2004L.)
PB02B083	Grey roll support (RAL7032B.)
PB02I082	Roll support (stainless steel)
PB02I083	Orange roll support + stainless steel plate
PB02I183	Grey roll support + stainless steel plate
FM090182	Orange packaging plate (RAL2004L.)
FM090183	Grey packaging plate (RAL7032B.)
FM090185	Packaging plate (stainless steel)
FM710319	Idle roll
S02A0807	Orange microperforator support kit (RAL2004L.)
S02B0807	Grey microperforator support kit (RAL7032B.)
S02I0807	Microperforator support kit (Inox)
S02A0808	Guides kit with corners
S02A0803	Film roll tube kit
S02A0909	Coupled guides kit
S0K00604	Slotted microperforator kit
S0K00605	Microperforator with needles kit

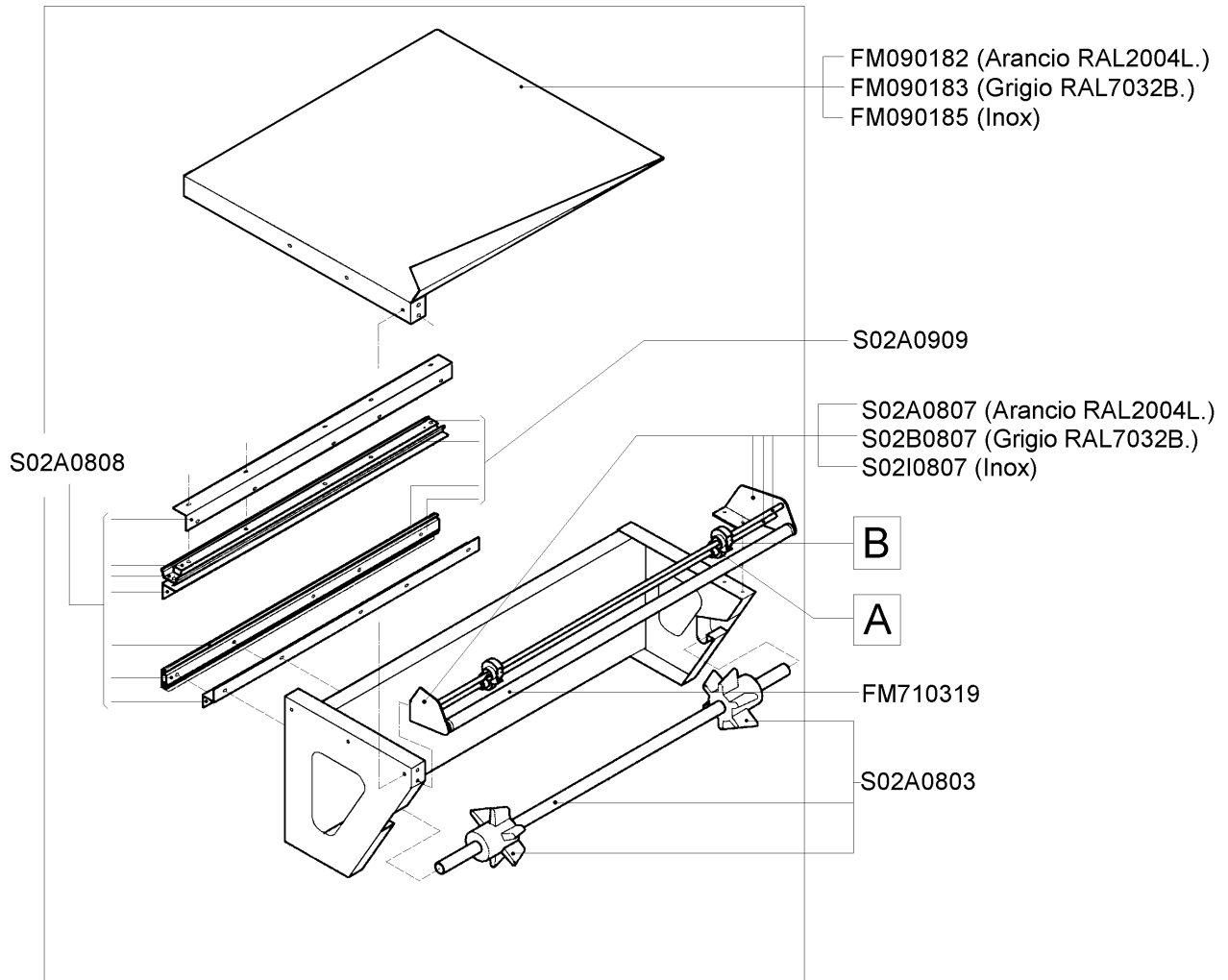
S0K00610	Rubber rings for wheel kit (10 pcs)
----------	-------------------------------------

ITEMS DESCRIPTION

SCHEME 4



S0K00610
(kit 10 pezzi)
(10 pcs kit)



PB02A083 (Arancio RAL2004L.)
PB02B083 (Grigio RAL7032B.)
PB02I082 (Inox)
PB02I083 (Arancio RAL2004L. / Inox)
PB02I183 (Grigio RAL7032B. / Inox)

ITEMS DESCRIPTION**SCHEME 5**

Pos.	Code	Description
1	FE120345 FE120346 FE120347	Power board 230V Power board 200V Power board 115V
2	FE110605 FE110621 FE110406	Contactor LC1-D18M7 (230V) Contactor LC1-D18L7 (200V) Contactor LC1-D18F7 (115V)
3	FE110505 FE110620 FE110406	Contactor LC1-D09M7 (230V) Contactor LC1-D09L7 (200V) Contactor LC1-D18F7 (115V)
4	FE290407 FE290409	Fuse 10.3X38 AM16A (200-230V) Fuse 10.3X38 AM25A (115V)
5	FE088000 FE088001 FE088005	Condenser 4mf (230V) Condenser 8mf (200V) Condenser 200mf (115V)
6	FE330002	Antinoise filter (200-230V)
7	FE440612 FE440611	Transformer 2400VA (200-230V) Transformer 2400VA (115V)

ITEMS DESCRIPTION

SCHEME 5

