



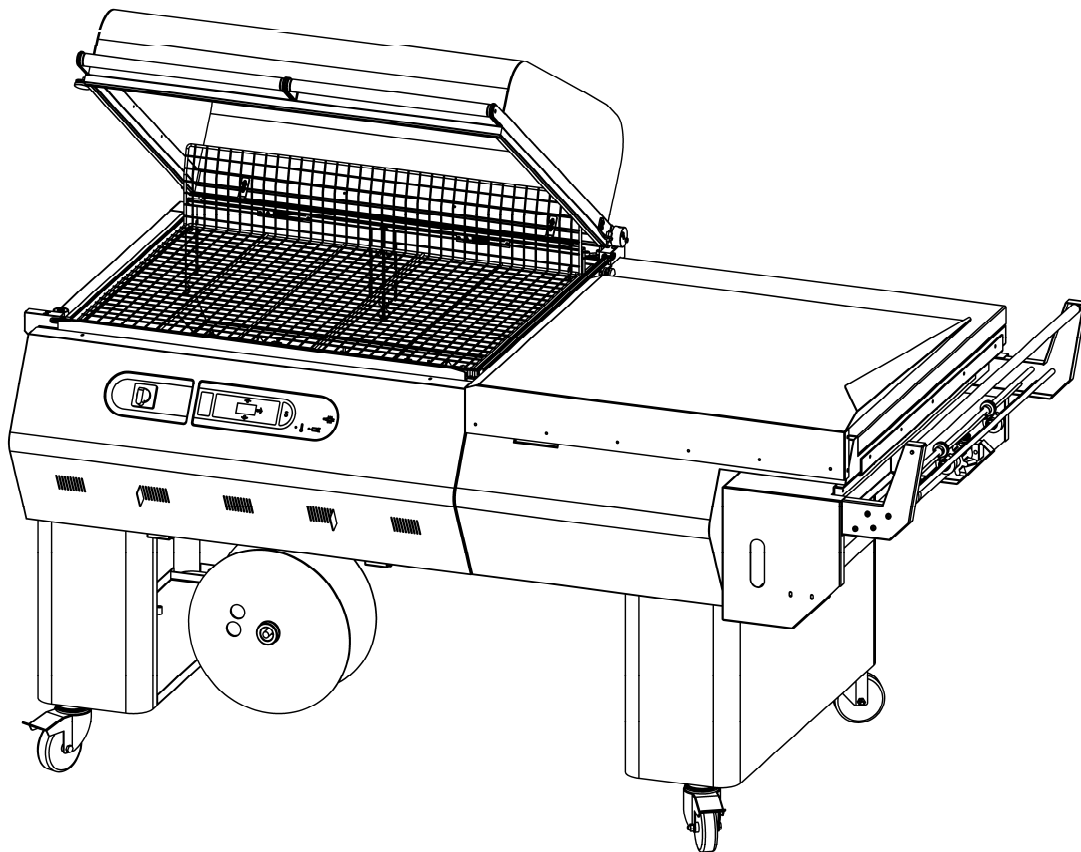
Minipack-torre S.p.A.
Via Provinciale, 54 - 24044 Dalmine (BG) - Italy
Tel. (035) 563525 – Fax (035) 564945
E-mail: info@minipack-torre.it
[http:// www.minipack-torre.it](http://www.minipack-torre.it)



RP85

Spare parts catalogue

(Valid from serial number 103 dated 05.2009 up to serial number 789 dated 04.2010)



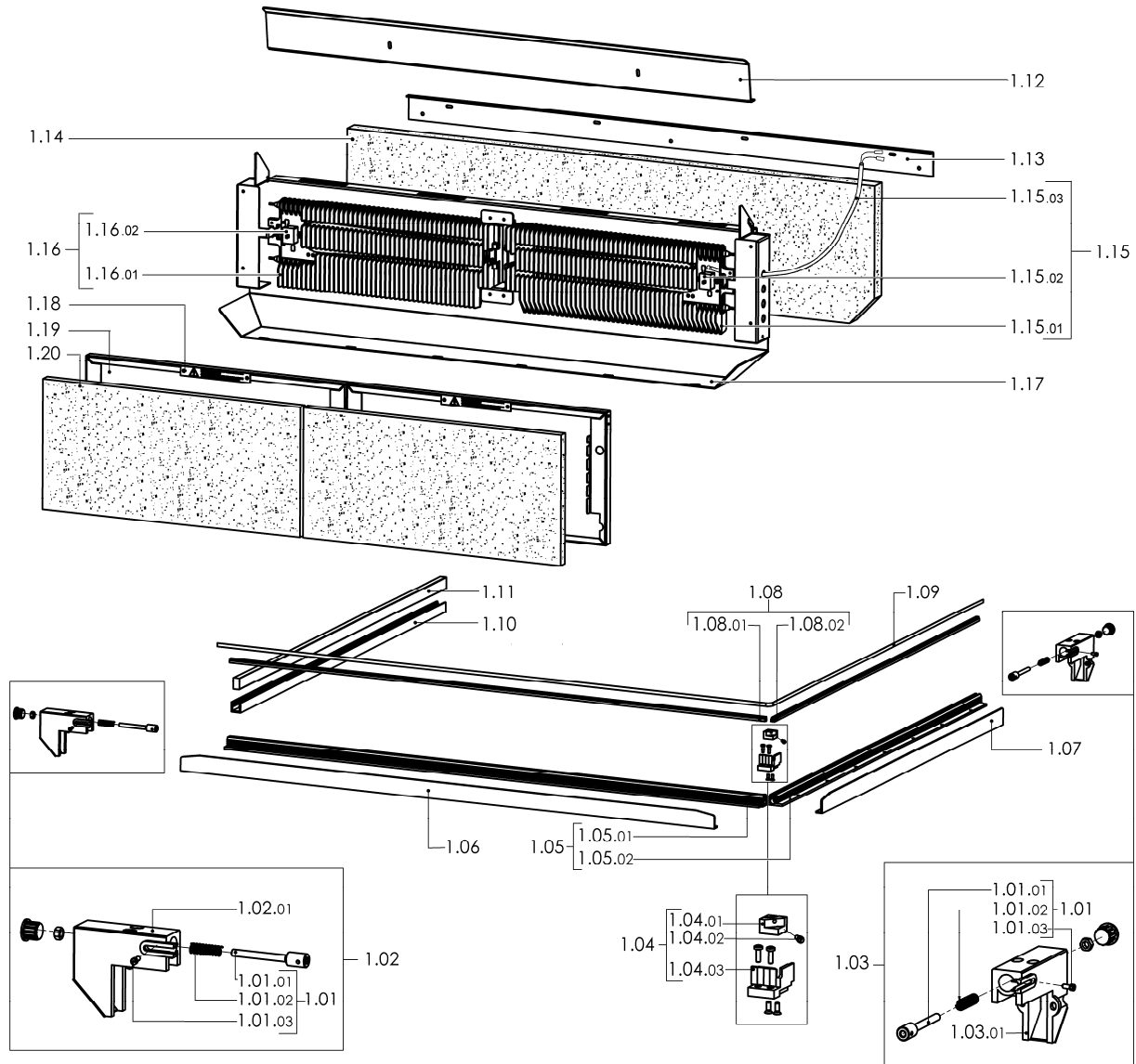
CAREFULLY READ THIS CATALOGUE BEFORE ORDERING ANY SPARE PART



DOC. N. FM112171
REV. 0
Ed: 01.2012

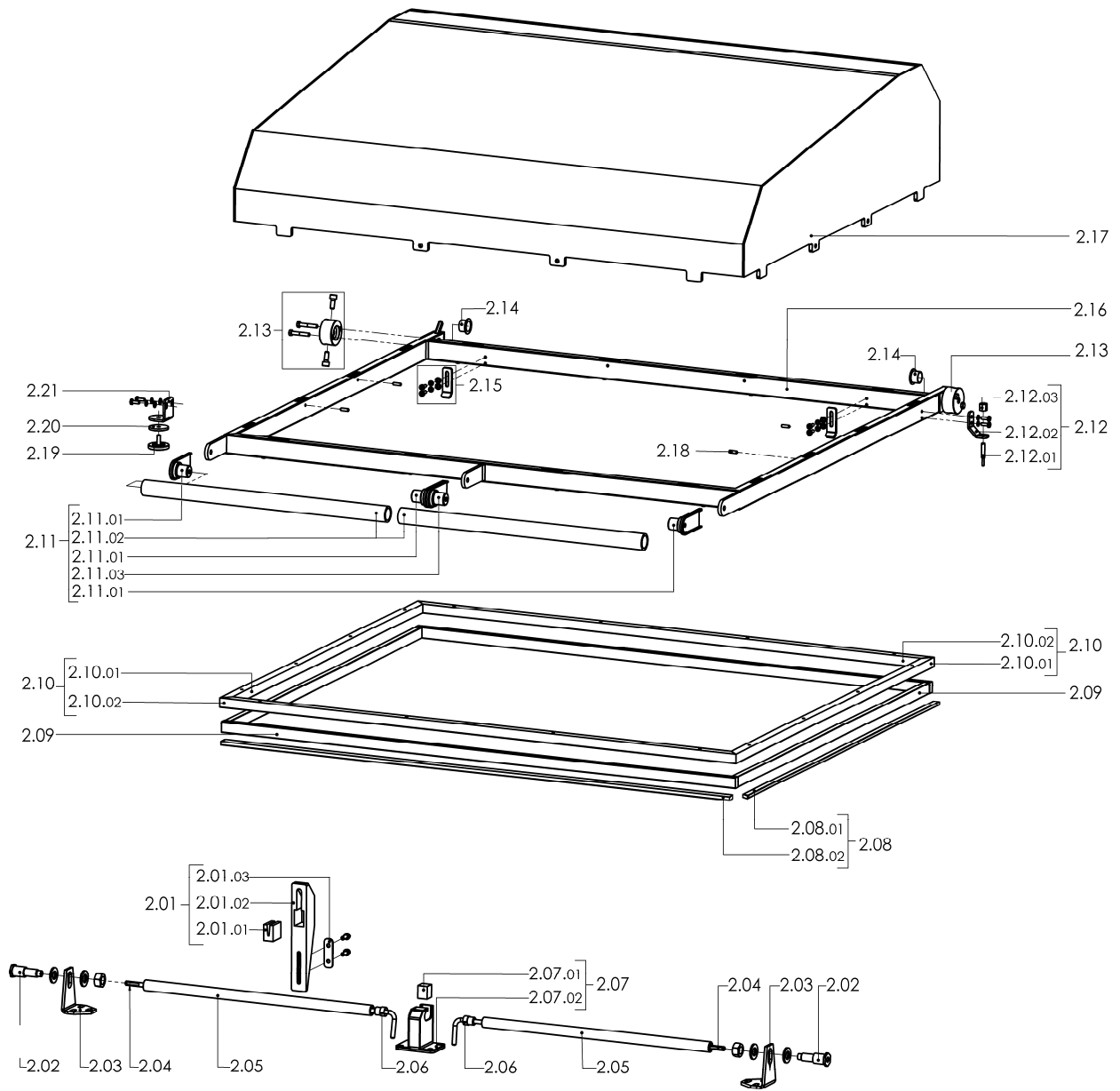
ITEMS DESCRIPTION	SCHEME 1
--------------------------	-----------------

Pos.	Code	Description
1.01	SOK01113	Blade tightener clamp kit
1.01.01	FM210002	Blade tightener clamp
1.01.02	FM690001	Spring
1.01.03	FM850704	M3X10 screw
1.02	SOK00303	Front clamp kit
1.02.01	FM290300	Blade tightener front support
1.01	SOK01113	Blade tightener clamp kit
1.03	SOK00304	Rear clamp kit
1.03.01	FM290301	Blade tightener rear support
1.01	SOK01113	Blade tightener clamp kit
1.04	S03A0306	Blade holder central clamp kit
1.04.01	FM180012	Blade holder central clamp
1.04.02	FM850703	M3X8 screw
1.04.03	FM040058	Insulating strip
1.05	S03A0309	Infill holder channel kit
1.05.01	FM220113	Front infill blocks channel
1.05.02	FM220123	Side infill blocks channel
1.06	S03A0901	Front guard kit
1.07	S03A0902	Side guard kit
1.08	S03A0310	Infill blocks kit
1.08.01	FM050114	Front blade support infill blocks
1.08.02	FM050115	Side blade support infill blocks
1.09	FE385603	Teflon-coated blade
1.10	FM220269	Lower rubber holder side channel
1.11	FM350007	15X10 Lg.720 Neoprene rubber
1.12	FM281521	Heating chamber flap
1.13	FM091186	Rear reinforcement
1.14	FM195116	Rock wool panel
1.15	KR310A01	W2100 V230 Heat sink kit
	KR310D01	W2100 V200-208 Heat sink kit
	KR350B01	W2100 V400 Heat sink kit
1.15.01	FM390014	W2100 V230 Heat sink
	FM390013	W2100 V200-208 Heat sink
	FM390012	W2100 V400 Heat sink
1.15.02	SOK01210	Safety thermostat
1.15.03	FE435011	Thermocouple
1.16	KR350A02	W2100 V230 Left heat sink kit
	KR350D02	W2100 V200-208 Left heat sink kit
	KR350B02	W2100 V400 Left heat sink kit
1.16.01	FM390014	W2100 V230 Heat sink
	FM390013	W2100 V200-208 Heat sink
	FM390012	W2100 V400 Heat sink
1.16.02	SOK01210	Safety thermostat
1.17	FM091034	Heaters rear plate
1.18	FM110552	High temperature plate
1.19	FM091038	Heaters front plate
1.20	FM195115	Glass wool panel



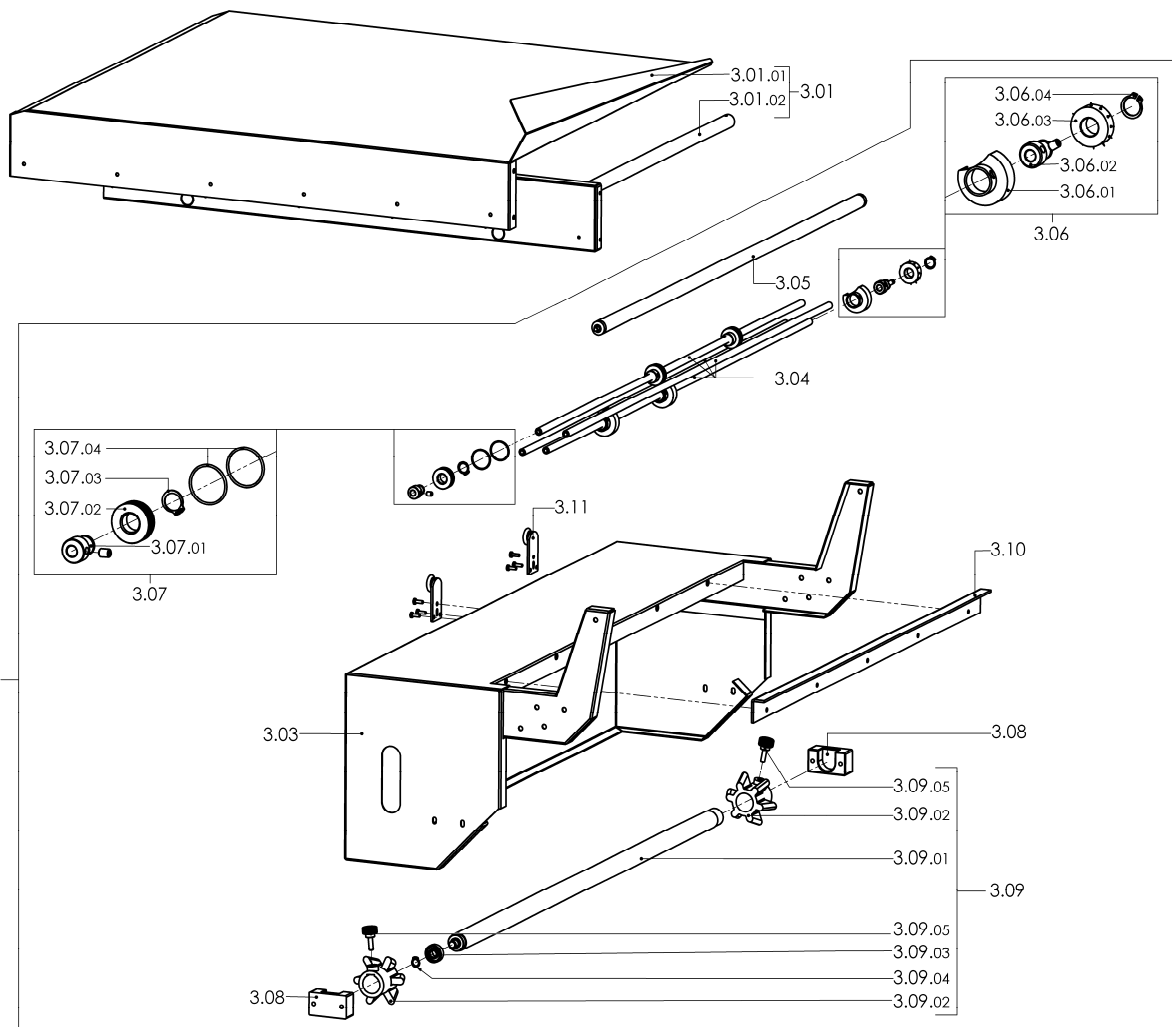
ITEMS DESCRIPTION	SCHEME 2
--------------------------	-----------------

Pos.	Code	Description
2.01	GOK00011	Hood shock absorber kit
2.01.01	FM350001	Shock absorber rubber washer
2.01.02	FM290001	Rubber washer holder bracket
2.01.03	FM280304	Rubber washer holder bracket plate
2.02	SOK01002	Hood rotation pin kit
2.03	FM290101	Hood support
2.04	FM170003	Torsion bar
2.05	FM250103	Torsion bar tube
2.06	FM340100	Torsion bar bush
2.07	S03A1004	Torsion bar housing kit
2.07.01	FM510040	Straight prod
2.07.02	FM020003	Torsion bar housing
2.08	S03A0404	Teflon kit
2.08.01	FM240005	Teflon lining L730
2.08.02	FM240006	Teflon lining L890
2.09	FM350010	Neoprene rubber 17X10 L.3190mm
2.10	KR350053	Upper rubber holder channels kit
2.10.01	FM220268	Side rubber holder channel
2.10.02	FM220267	Front and rear rubber holder channel
2.11	S03A0402	Handgrip kit x hood
2.11.01	FM340005	Bush
2.11.02	FM150004	Handgrip
2.11.03	FM340025	Bush
2.12	SOK00406	Microswitch screw kit
2.12.01	FM160224	Microswitch screw
2.12.02	FM280001	Microswitch square holder
2.12.03	FM160001	Microswitch lock screw
2.13	SOK01001	Torsion bar blocking flange kit
2.14	FM540007	Bush
2.15	SOK00405	Heating chamber flap opening lever kit
2.16	FM300248	Upper hood frame
2.17	FM081030	Upper hood h.200mm (standard)
	FM081035	Upper hood h.300mm (optional)
	FM081036	Upper hood h.490mm (optional)
2.18	FM852207	M4X14 screw
2.19	FM160026	Electromagnet contrast
2.20	FM350011	Electromagnet contrast washer
2.21	FM280011	Electromagnet contrast square



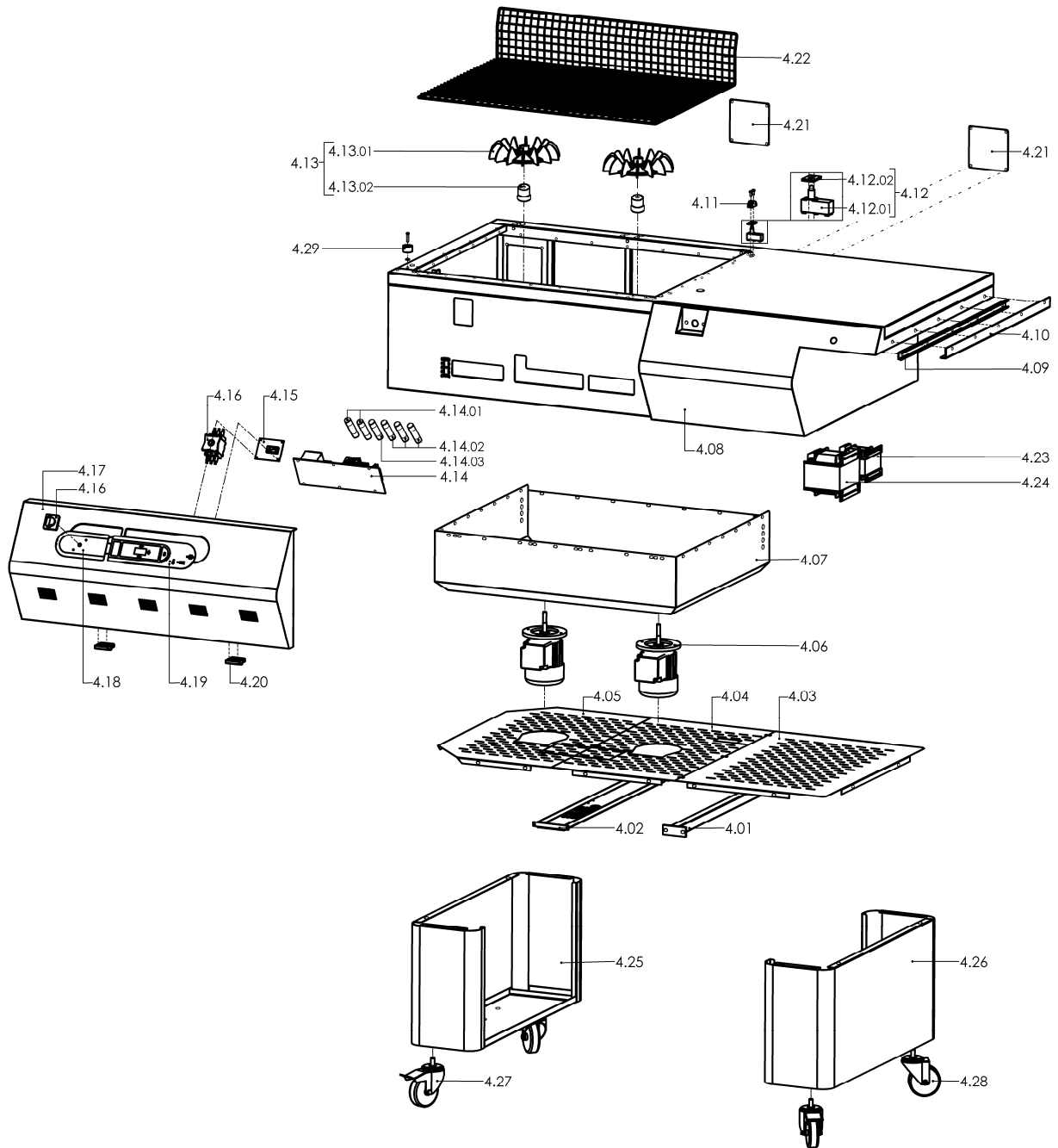
ITEMS DESCRIPTION	SCHEME 3
--------------------------	-----------------

Pos.	Code	Description
3.01	PC35B001	RAL7035B. packaging plate pre-assembly
3.01.01	FM090178	RAL7035B. packaging plate
3.01.02	FM300003	Packaging plate frame
3.01.01	FM090162	Inox packaging plate (optional)
3.02	PB35B001	RAL7035B. roll support pre-assembly
3.03	FM091190	RAL7035B. roll support
3.04	FM030021	Microperforator rod
3.05	FM710318	Film drive roller
3.06	S03A0605	Microperforator with needles kit
3.06.01	FM095137	Carter
3.06.02	FM340002	Centred bush
3.06.03	FM160007	Wheels with needles
3.06.04	FM520005	Shafts seeger ring
3.07	S0K00608	Slotted microperforator kit
3.07.01	FM340004	Eccentric bush
3.07.02	FM160010	Wheel
3.07.03	FM520005	Shafts seeger ring
3.07.04	FM650115	Gasket
3.08	FM340525	Reel holder roller support
3.09	S03A0602	Film roll tube kit
3.09.01	FM250003	Film roll holder tube
3.09.02	FM340011	Centering cone
3.09.03	FM610015	Bearing
3.09.04	FM520003	Seeger
3.09.05	FM510065	M6X20 Handwheel
3.10	FM220501	Roll support guide corner
3.11	FM660002	Wheeled trolley



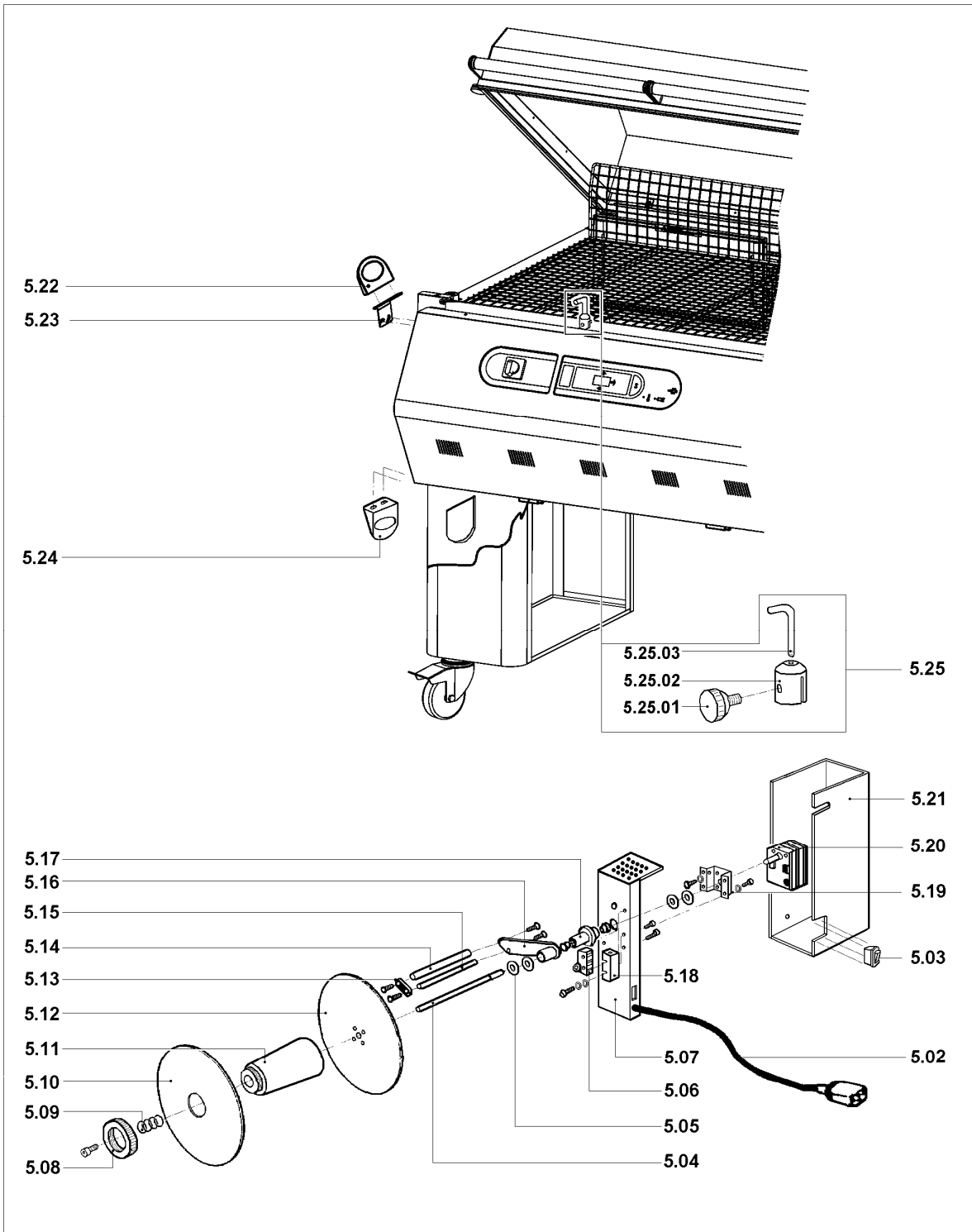
ITEMS DESCRIPTION	SCHEME 4
--------------------------	-----------------

Pos.	Code	Description
4.01	FM300018	Crosspiece
4.02	FM300141	Rewinder crosspiece
4.03	FM090665	Right lower cover
4.04	FM090627	Central lower cover
4.05	FM090626	Left lower cover
4.06	FE240004 FE240005 FE240006	Motor 200V 50Hz 3Ph Motor 208V 60Hz 3Ph Motor 230-400V 50Hz 3Ph
4.07	FM091033	Lower hood
4.08	FM091193	RAL7035B. fairing
4.09	FM140001	"ROLLGE 150" channel
4.10	FM220501	Guide corner
4.11	FM230002	Microswitch guard
4.12	SOK01208	Hood microswitch kit
4.12.01	FE220137	Microswitch
4.12.02	FM280216	Microswitch plate
4.13	SOK01120	Fan kit
4.13.01	FM830003	Fan
4.13.02	FM340009	Fan bush
4.14	FE120257 FE120262	Power board (400V) Power board (200-208-230V)
4.14.01	FE290405 FE290402	Fuse 10.3X38 AM 10A (200-208-230V) Fuse 10.3X38 AM 4A (400V)
4.14.02	FE290409 FE290407	Fuse 10.3X38 AM 25A (200-208-230V) Fuse 10.3X38 AM 16A (400V)
4.14.03	FE290402 FE290401	Fuse 10.3X38 AM 4A (200-208-230V) Fuse 10.3X38 AM 2A (400V)
4.15	FE120261	Control board
4.16	FE080001 FE080000	Switch 20A (400V) Switch 32A (200-208-230V)
4.17	FM091188	RAL7035B. front panel
4.18	FM110340	Push button panel adhesive
4.19	FE120601	Membrane keyboard
4.20	FM510084	Hinge
4.21	FM091148	RAL7035B. rear panel
4.22	FM130003	Reticulated plate
4.23	FE440026 FE440025	Transformer 400VA (400V) Transformer 400VA (200-208-230V)
4.24	FE440626 FE440625	Transformer 2500VA (400V) Transformer 2500VA (200-208-230V)
4.25	FM095796	RAL7035B. machine left support
4.26	FM095794	RAL7035B. machine right support
4.27	FM770510	Wheel Ø100 with brake
4.28	FM770509	Wheel Ø100
4.29	FE130013	Electromagnet



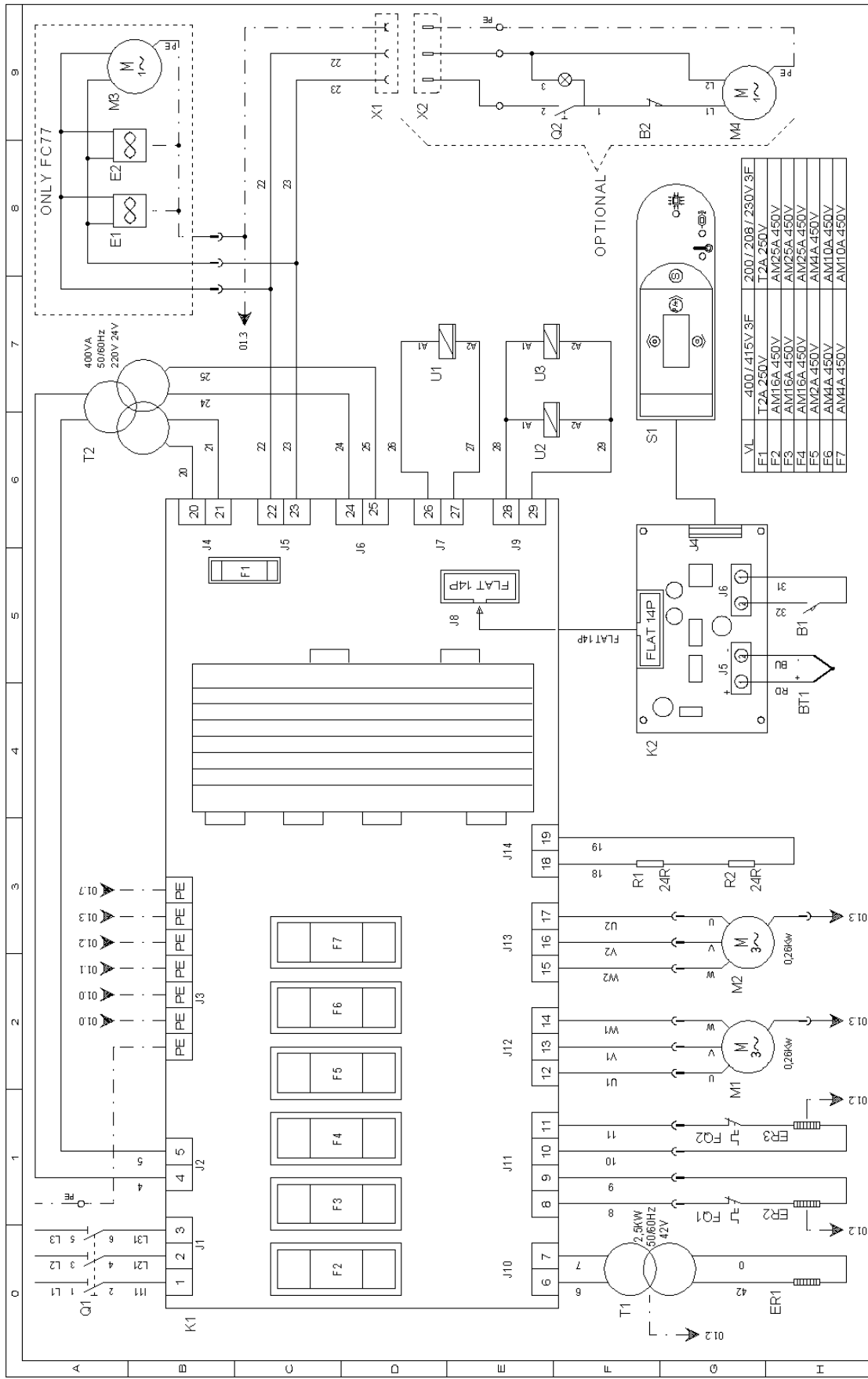
ITEMS DESCRIPTION	SCHEME 5
--------------------------	-----------------

Pos.	Code	Description
5.01	AV030003	Rewinder group (optional)
5.02	FE310120	Cable 3X0,75X1500
5.03	FE190032	Switch
5.04	FM010041	Film rewinder shaft
5.05	FM160111	Washer
5.06	FE220105	Microswitch
5.07	FM290175	Rewinder support
5.08	FM160104	Ring nut
5.09	FM170161	Spring
5.10	FM120040	Movable flange
5.11	FM250128	Hub
5.12	FM120041	Fixed flange
5.13	FM280326	Plate
5.14	FM250074	Roller
5.15	FM030063	Rod
5.16	FM060027	Lever
5.17	FM290172	Lever support
5.18	FE220101	Microswitch guard
5.19	FM290107	Gearmotor support
5.20	FE250016	Gearmotor
5.21	FM095138	Case
5.22	FM160231	Film guiding ring
5.23	FM290525	Film guiding ring square
5.24	FM160231	Film guiding ring
5.25	SOK00407	Film guide kit
5.25.01	FM510035	Knob
5.25.02	FM180007	Film guide rod clamp
5.25.03	FM030046	Film guide rod



5.01

WIRING DIAGRAM 200-208-230-400V



PROGETTO:	FOGLIO 01		
CODICE:	DI 01		
DESEGNO NR: WDMF3501			
TITOLO: SCHEMA DI POTENZA			
DESEGNATORE: Boldoni	DATA: 17/06/2009		
REV	DATA	FIRMA	MODIFICA

WIRING DIAGRAM DESCRIPTION

B1	Cycle start limit switch
B2	Rewinder limit switch
BT1	Thermocouple
E1/2	Cooling fan
E3	Cooling fan
ER1	Sealing blade heater
ER2/3	Shrinking heater
FQ1/2	Safety thermostat
F1	Ventilator, cooling pump, rewinder fuse 5X20
F2/3/4	Line fuse 10.3X38
F5	Auxiliary transformer fuse 10.3X38
F6/7	Fan motor fuse 10.3X38
K1	Power board
K2	Control board
M1/2	Fan motor
M3	Cooling pump motor
M4	Rewinder motor
Q1	Motor brake resistor
Q2	Motor brake resistor
R1	Main switch
R2	Rewinder switch
S1	Membrane keyboard
T1	Cutting transformer
T2	Auxiliary transformer
U1	Shrinking magnet
U2/3	Sealing magnet
X1	Rewinder power supply socket
X2	Rewinder power supply plug



Minipack-torre S.p.A.

Via Provinciale, 54 - 24044 DALMINE (BG) - ITALY

Tel. (035) 563525 – Fax (035) 564945

E-mail: info@minipack-torre.it

Internet: www.minipack-torre.it