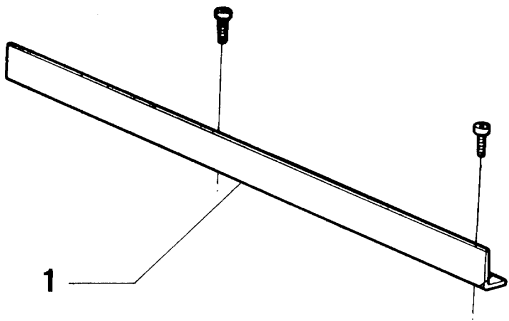
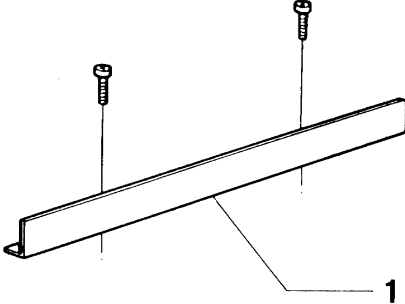
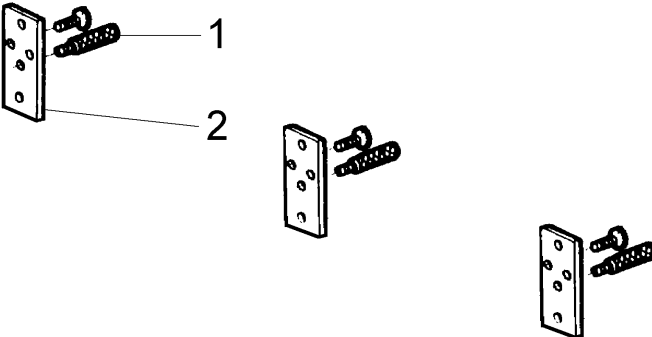


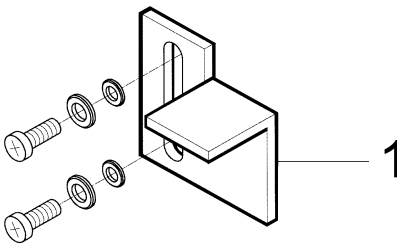
SEALING BLADE GROUP

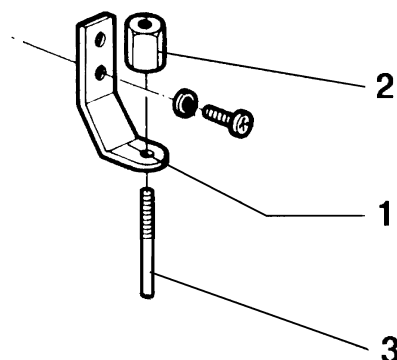
GROUP CODE		GROUP DESCRIPTION	
S02A0901		Front guard kit	
			
POS.	ITEMS CODE	ITEMS DESCRIPTION	Q.ty
1	FM220002	Front guard	1

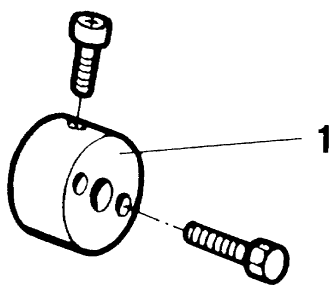
GROUP CODE		GROUP DESCRIPTION	
S02A0902		Side guard kit	
			
POS.	ITEMS CODE	ITEMS DESCRIPTION	Q.ty
1	FM220005	Side guard	1

GROUP CODE		GROUP DESCRIPTION	
S02A1301		Screened plate front support kit	
			
POS.	ITEMS CODE	ITEMS DESCRIPTION	Q.ty
1	FM200002	Screened plate adjusting pin	3
2	FM290104	Screened plate front support	3

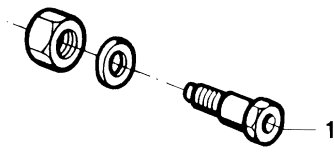
UPPER HOOD GROUP

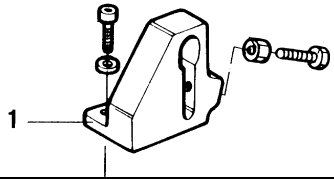
GROUP CODE	GROUP DESCRIPTION		
S0K00404	Heating chamber flap opening lever kit		
			
POS.	ITEMS CODE	ITEMS DESCRIPTION	Q.ty
1	FM280124	Flap opening lever	1

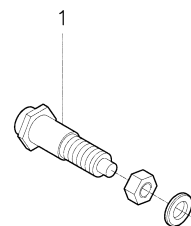
GROUP CODE	GROUP DESCRIPTION		
S0K00406	Microswitch screw kit		
			
POS.	ITEMS CODE	ITEMS DESCRIPTION	Q.ty
1	FM280001	Microswitch square holder	1
2	FM160001	Microswitch lock screw	1
3	FM160224	Microswitch screw	1

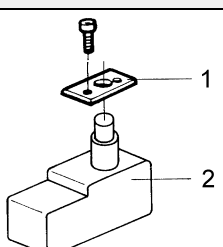
GROUP CODE	GROUP DESCRIPTION		
S0K01001	Torsion bar blocking flange kit		
			
POS.	ITEMS CODE	ITEMS DESCRIPTION	Q.ty
1	FM120002	Torsion bar flange	1

UPPER HOOD GROUP

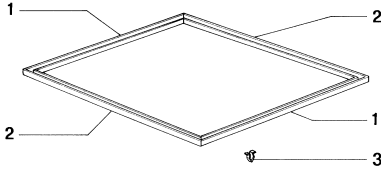
GROUP CODE		GROUP DESCRIPTION	
S0K01002		Hood rotation right pin kit	
			
POS.	ITEMS CODE	ITEMS DESCRIPTION	Q.ty
1	FM200052	Hood rotation pin	1

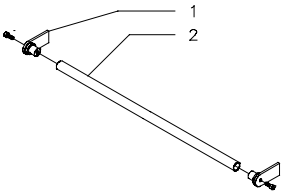
GROUP CODE		GROUP DESCRIPTION	
S0K01004		Torsion bar housing kit	
			
POS.	ITEMS CODE	ITEMS DESCRIPTION	Q.ty
1	FM020001	Torsion bar housing	1

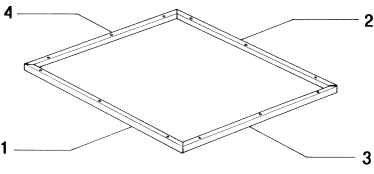
GROUP CODE		GROUP DESCRIPTION	
S0K01005		Hood rotation left pin kit	
			
POS.	ITEMS CODE	ITEMS DESCRIPTION	Q.ty
1	FM200094	Hood rotation left pin	1

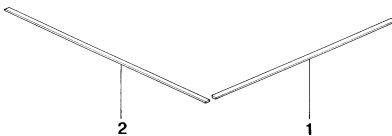
GROUP CODE		GROUP DESCRIPTION	
S0K01208		Hood microswitch kit	
			
POS.	ITEMS CODE	ITEMS DESCRIPTION	Q.ty
1	FM280216	Microswitch plate	1
2	FE220137	Microswitch	1

UPPER HOOD GROUP

GROUP CODE	GROUP DESCRIPTION		
S02A0401	Lock channels kit		
			
POS.	ITEMS CODE	ITEMS DESCRIPTION	Q.ty
1	FM220302	Side lock channel	2
2	FM220305	Front and rear lock channel	2
3	FM630004	Fastener	12

GROUP CODE	GROUP DESCRIPTION		
S02A0402	Hood handle kit		
			
POS.	ITEMS CODE	ITEMS DESCRIPTION	Q.ty
1	FM340005	Bush	2
2	FM150003	Handle	1

GROUP CODE	GROUP DESCRIPTION		
S02A0403	Upper rubber holder channels kit		
			
POS.	ITEMS CODE	ITEMS DESCRIPTION	Q.ty
1-2	FM220210	Front-rear rubber holder channel	2
3-4	FM220216	Right side rubber holder channel	2

GROUP CODE	GROUP DESCRIPTION		
S02A0404	Teflon kit		
			
POS.	ITEMS CODE	ITEMS DESCRIPTION	Q.ty
1	FM240003	Teflon lining L530	1
2	FM240004	Teflon lining L570	1

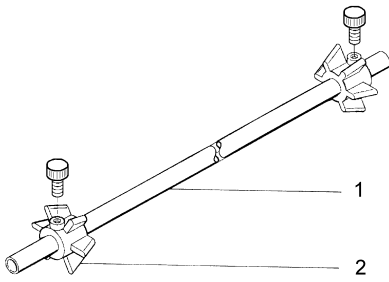
FILM ROLL SUPPORT GROUP

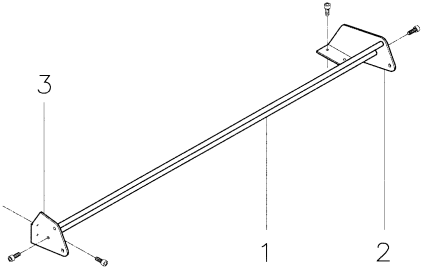
GROUP CODE	GROUP DESCRIPTION		
S0K00604	Slotted microperforator kit		
POS.	ITEMS CODE	ITEMS DESCRIPTION	Q.ty
1	FM340003	Eccentric bush	1
2	FM160071	Microperforator wheel	1
3	FM350050	Rubber ring	1
4	FM520005	Shafts seeger ring	1

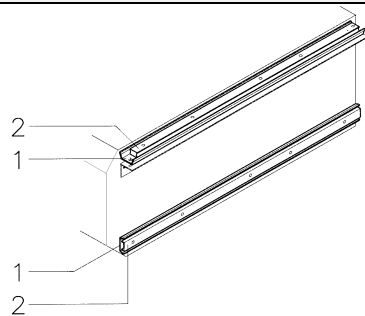
GROUP CODE	GROUP DESCRIPTION		
S0K00605	Microperforator with needles kit		
POS.	ITEMS CODE	ITEMS DESCRIPTION	Q.ty
1	FM095137	Carter	1
2	FM340001	Centred bush	1
3	FM160007	Wheels with needles	1
4	FM520005	Shafts seeger ring	1

GROUP CODE	GROUP DESCRIPTION		
S02A0808	Sliding guides + corners kit		
POS.	ITEMS CODE	ITEMS DESCRIPTION	Q.ty
1	FM140004	Female guide L600	2
2	FM140006	Male guide L600	2
3	FM220522	Upper male guide corner	1
4	FM220523	Upper female guide corner	1
5	FM220524	"Z" shaped channel for male guide	1

FILM ROLL SUPPORT GROUP

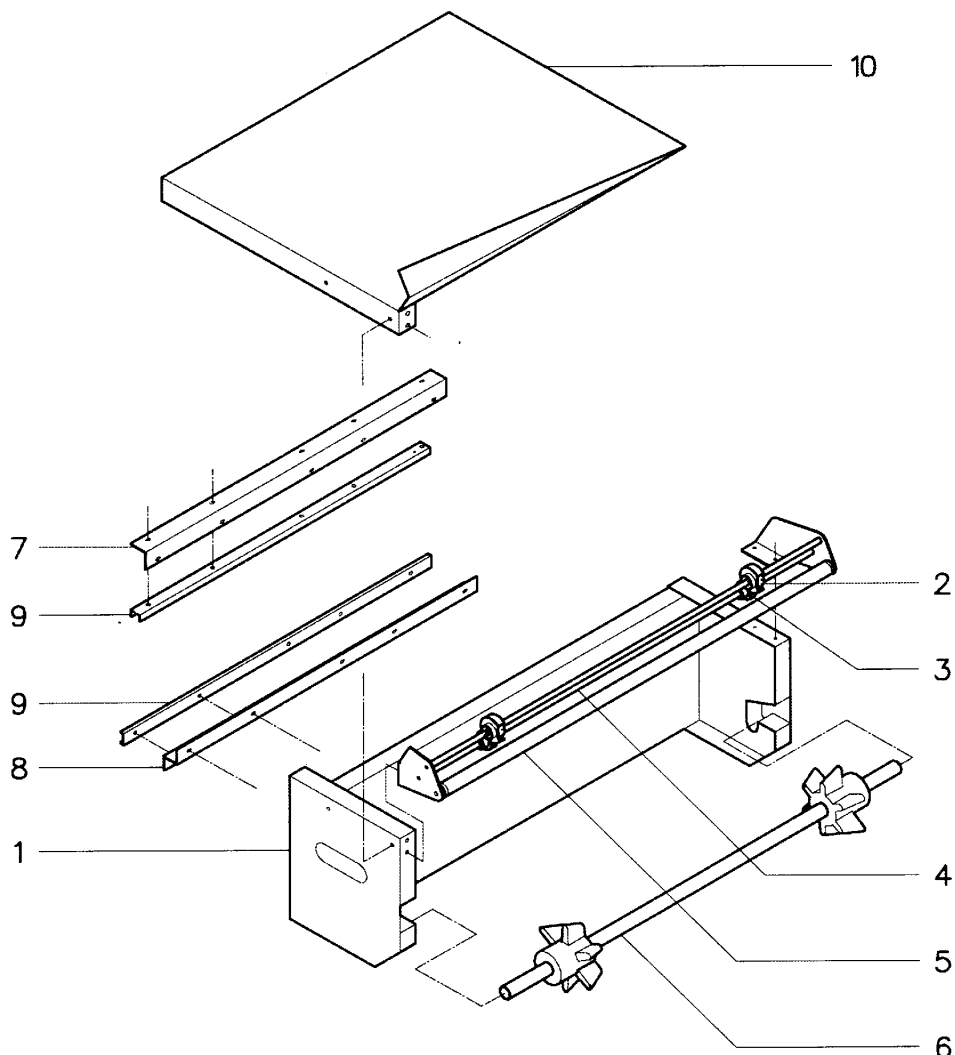
GROUP CODE		GROUP DESCRIPTION	
S02A0820		Film roll tube kit	
			
POS.	ITEMS CODE	ITEMS DESCRIPTION	Q.ty
1	FM250095	Film roll holder tube	1
2	FM340010	Centering cone	2

GROUP CODE		GROUP DESCRIPTION	
S02A0821		Orange microperforator support kit	
S02A0822		Grey microperforator support kit	
			
POS.	ITEMS CODE	ITEMS DESCRIPTION	Q.ty
1	FM030004	Microperforator rod	2
2	FM280126	Orange right microperforator square	1
	FM280148	Grey right microperforator square	
3	FM280073	Grey left microperforator square	1
	FM280074	Grey left microperforator square	

GROUP CODE		GROUP DESCRIPTION	
S02A0909		Coupled guides kit	
			
POS.	ITEMS CODE	ITEMS DESCRIPTION	Q.ty
1	FM140004	Female guide L600	2
2	FM140006	Male guide L600	2

FILM ROLL SUPPORT GROUP

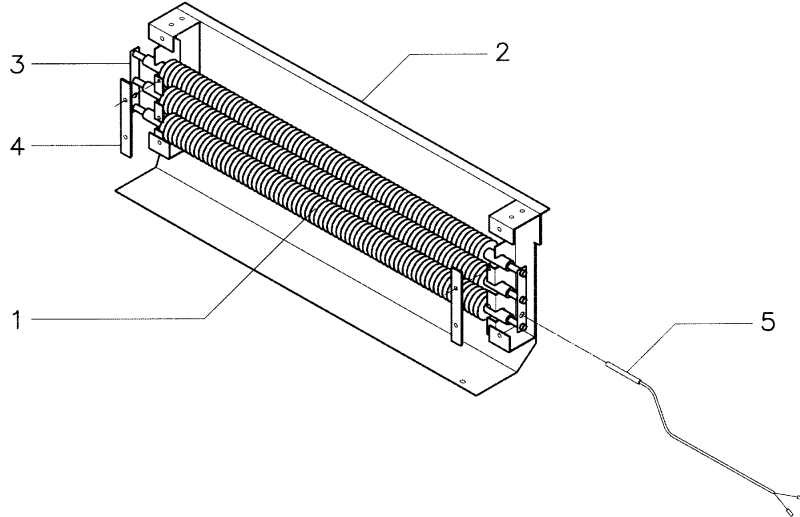
GROUP CODE	GROUP DESCRIPTION
PB02A035	Orange film roll support kit
PB02B035	Grey film roll support kit



POS.	ITEMS CODE	ITEMS DESCRIPTION	Q.ty
1	FM090381 FM090393	Orange film roll support Grey film roll support	1
2	S0K00605	Microperforator with needles kit	2
3	S0K00604	Slotted microperforator kit	2
4	S02A0821 S02A0822	Orange microperforator support kit Grey microperforator support kit	1
5	FM710320	Film transmission roller	1
6	S02A0820	Film roll tube kit	1
7	FM220522	Upper male guide corner	1
8	FM220524	"Z" shaped channel for male guide	1
9	FM140006	Female guide L600	2
10	FM090189 FM090184	Orange packaging plate Grey packaging plate	1

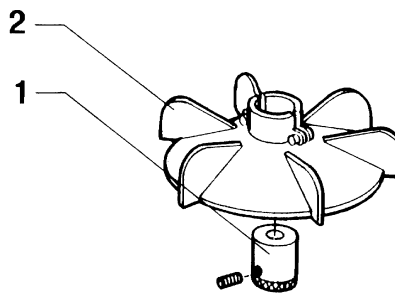
HEATING CHAMBER GROUP

GROUP CODE	GROUP DESCRIPTION
PR020A35	220V heating chamber kit



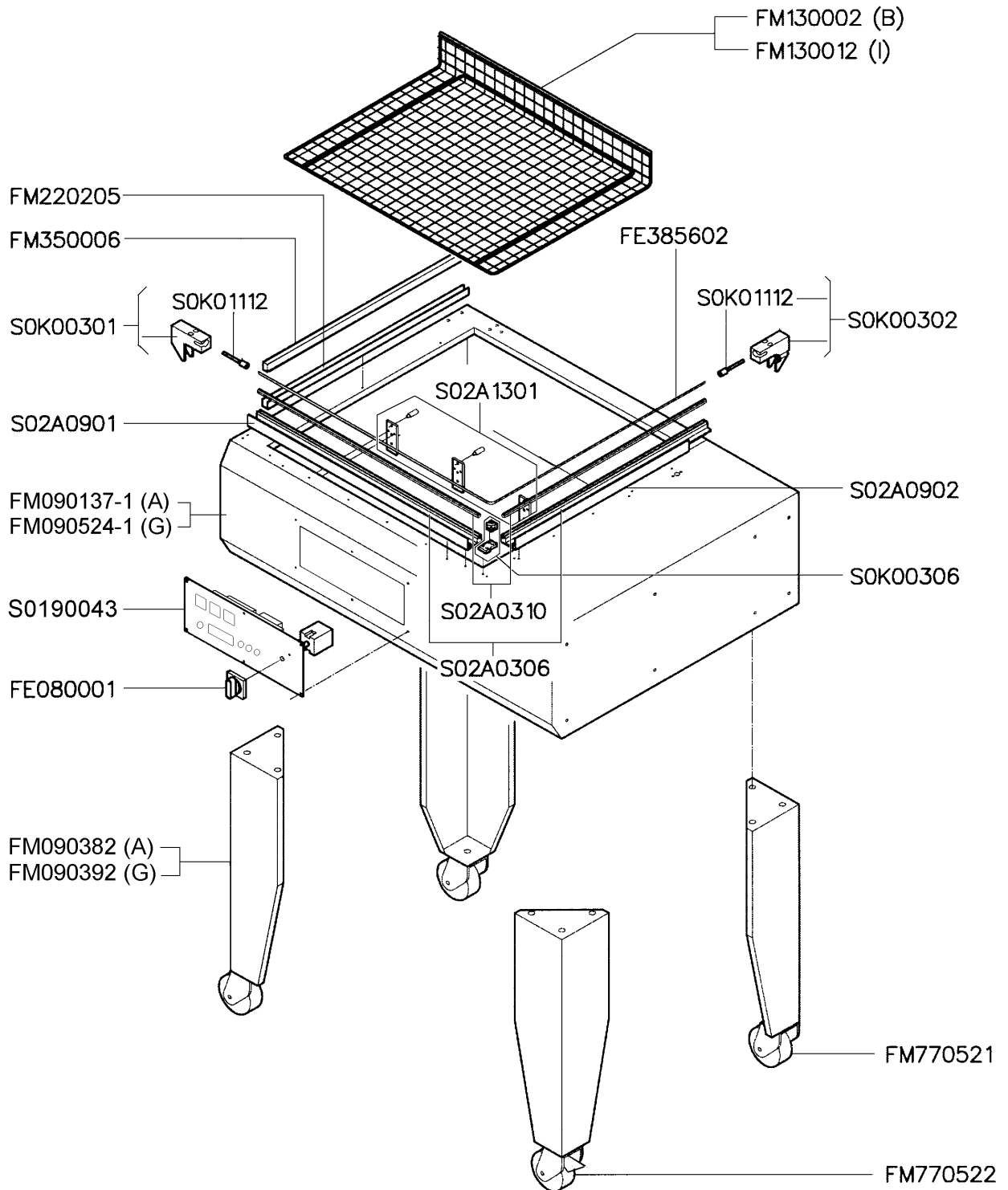
POS.	ITEMS CODE	ITEMS DESCRIPTION	Q.ty
1	FE380011	W850 V220 heater	3
2	FM090258	Heaters rear plate	1
3	FM280342	Heaters connecting plate	2
4	FM280311	Heaters fixing plate	2
5	FE438001	Thermocouple	1

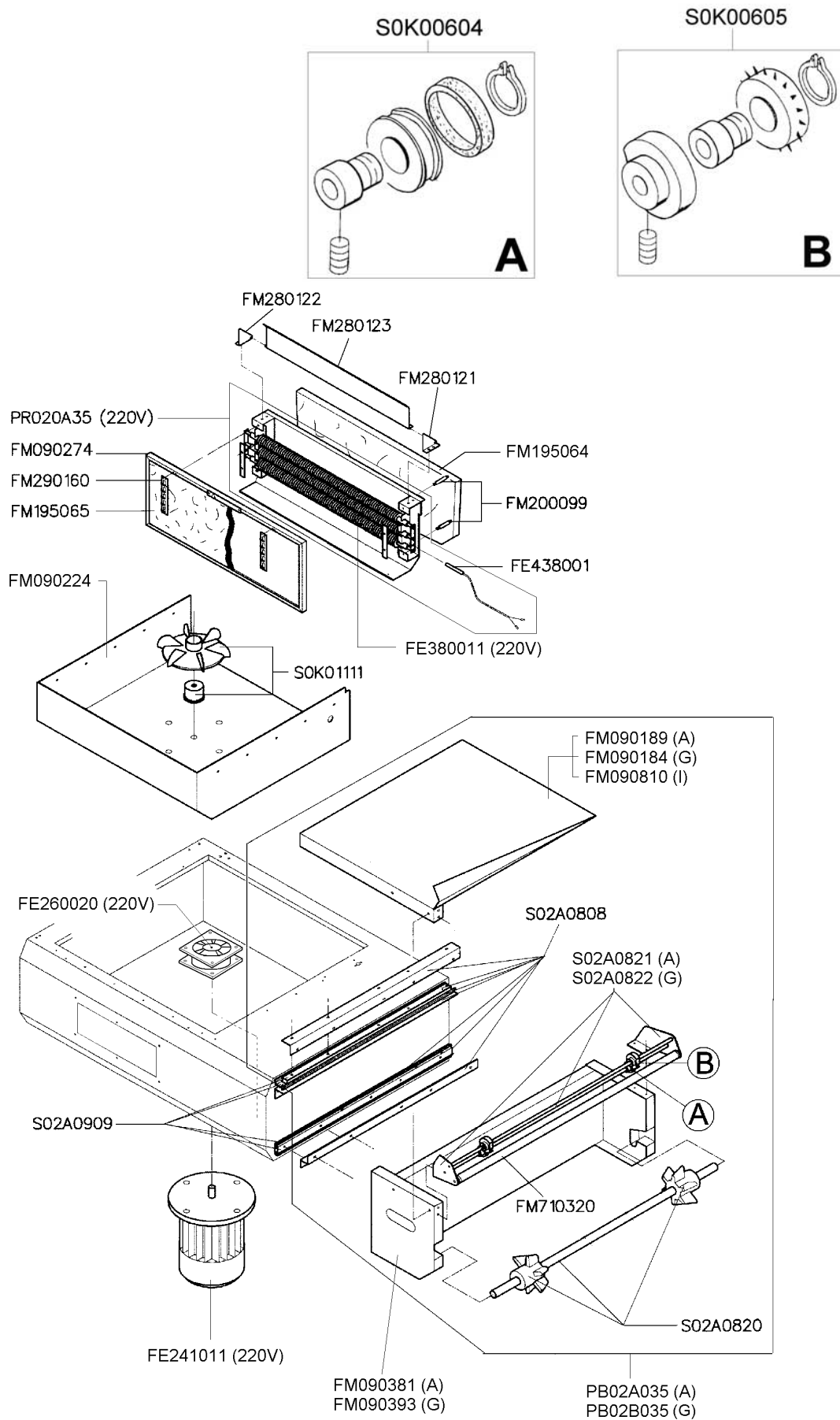
GROUP CODE	GROUP DESCRIPTION
S0K01111	MEC 132 fan kit

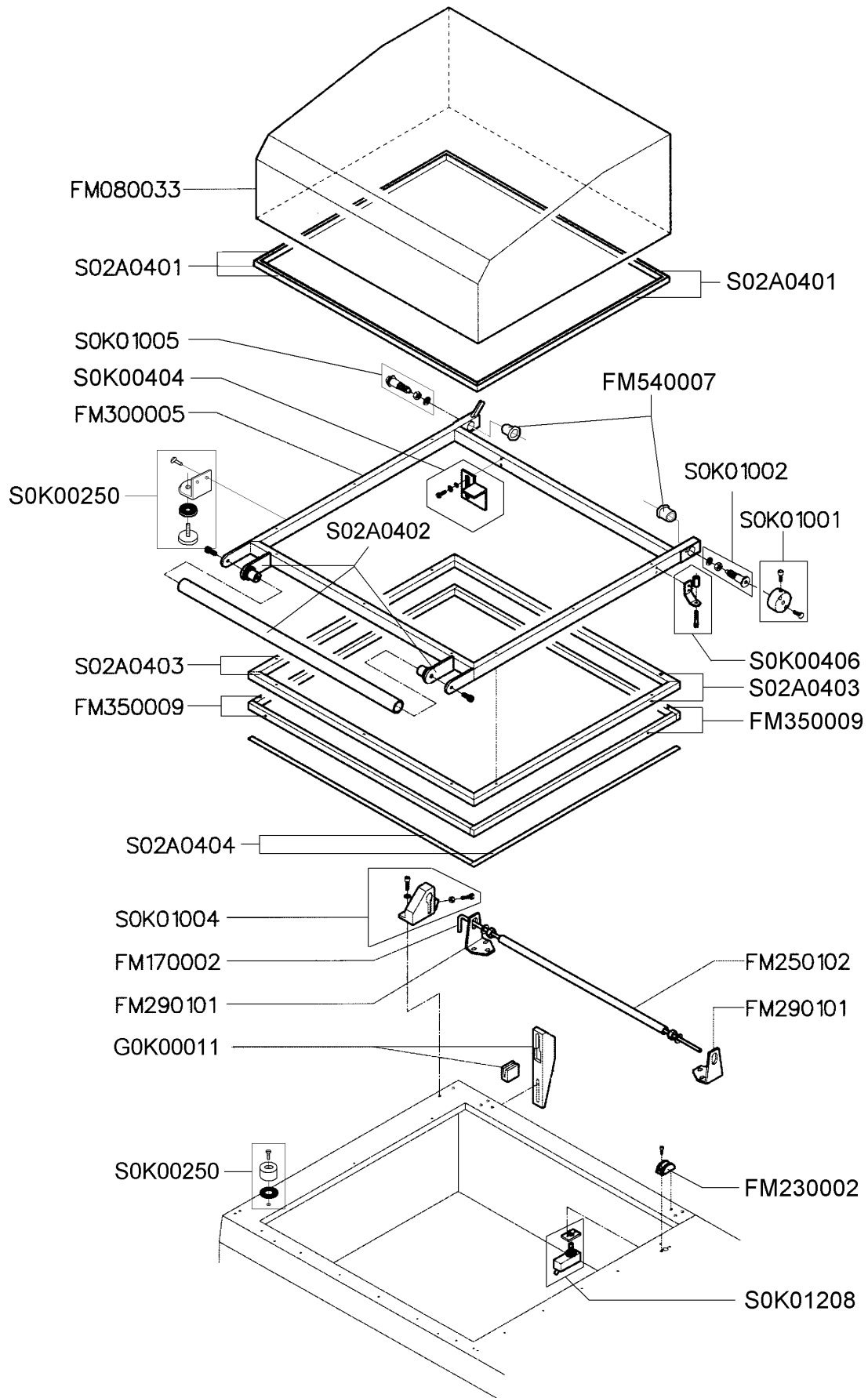


POS.	ITEMS CODE	ITEMS DESCRIPTION	Q.ty
1	FM340019	Fan bush	1
2	FM830002	MEC 132 fan	1

MACHINE DETAIL DRAWING

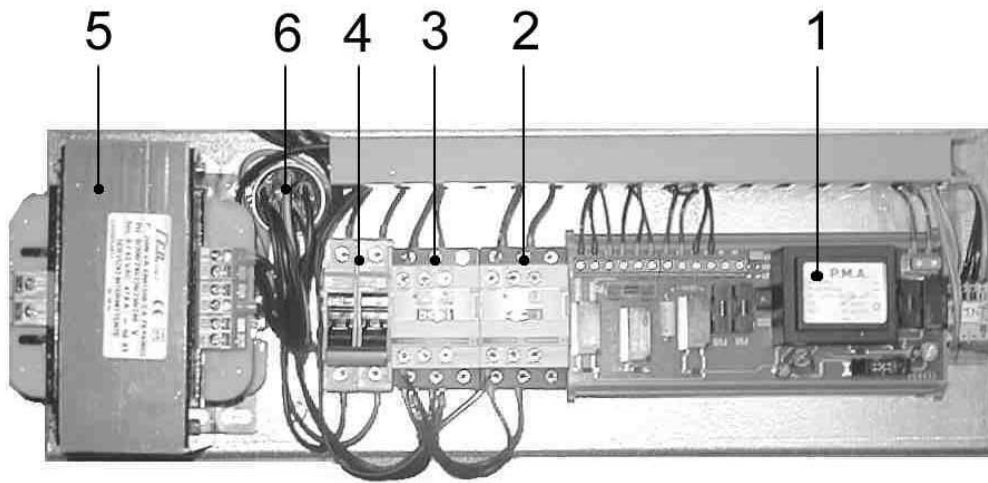






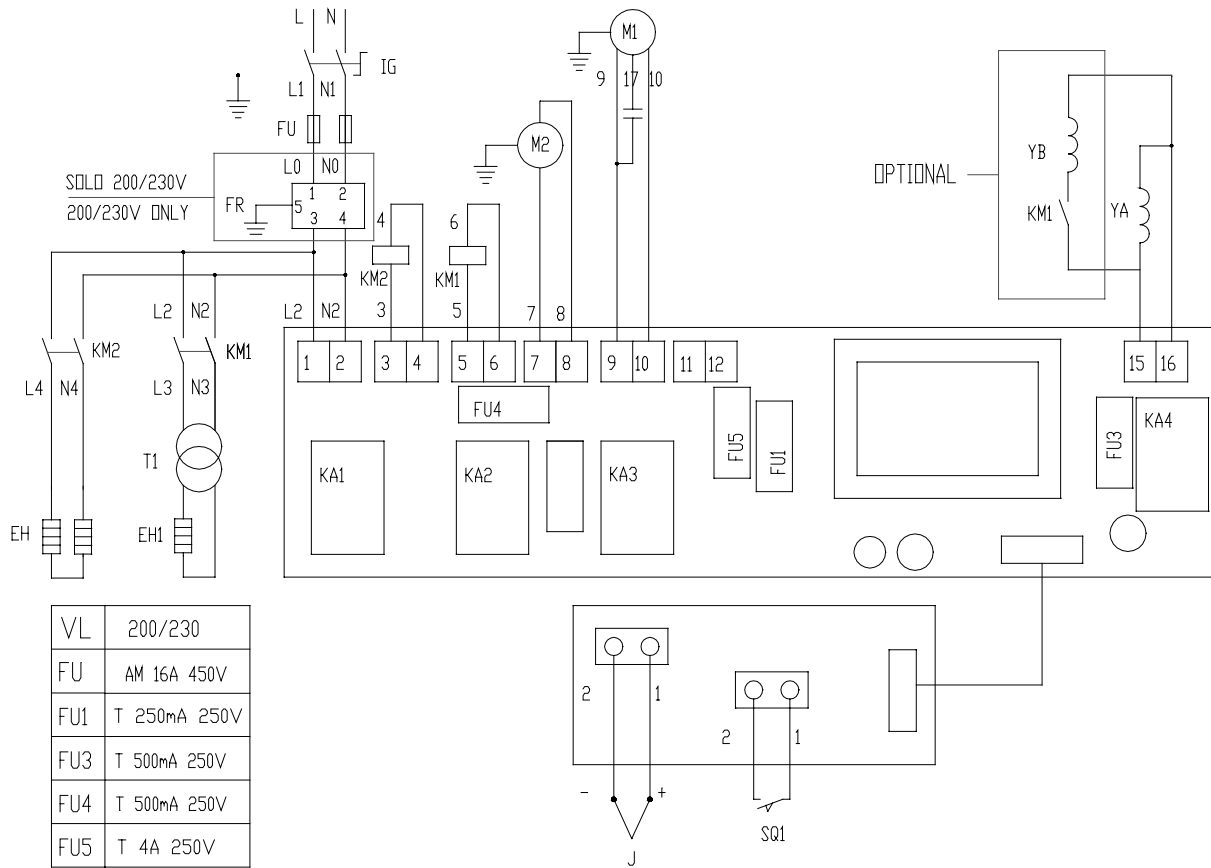
MACHINE DETAIL DRAWING

SCHEME 4



POS.	ITEMS CODE	ITEMS DESCRIPTION	Q.ty
1	FE120345	Power board 230V	1
2	FE110605	Contacteur LC1-D18M7 (230V)	1
3	FE110505	Contacteur LC1-D09M7 (230V)	1
4	FE290407	Fuse 16A	2
5	FE440612	Transformer 2400VA V200-240/42	1
6	FE330002	Antinoise Filter	1

WIRING DIAGRAM



- IG** Main switch
- FU** Line fuse 10.3X38
- FU1** Board fuse 5X20
- FU3** Magnet fuse 5X20
- FU4** Auxiliary plug fuse 5X20
- FU5** Motor fuse 5X20
- EH** Oven resistors
- EH1** Cutting heater
- FR** Antinoise Filter
- T1** Cutting transformer
- M1** Fan motor
- M2** Ventilator motor
- YA** Shrinking magnet
- YB** Sealing magnet
- J** Thermocouple
- SQ1** Machine cycle limit switch
- KM1** Sealing blade contactor
- KM2** Heaters contactor



Minipack-torre S.p.A.

Via Provinciale, 54 - 24044 DALMINE (BG) - ITALY

Tel. (035) 563525 – Fax (035) 564945

E-mail: info@minipack-torre.it

<http://www.minipack-torre.it>