



minipack

Minipack-torre S.p.A.

Via Provinciale, 54 - 24044 Dalmine (BG) - Italy

Tel. (035) 563525

E-mail: info@minipack.it

<http://www.minipack.it>

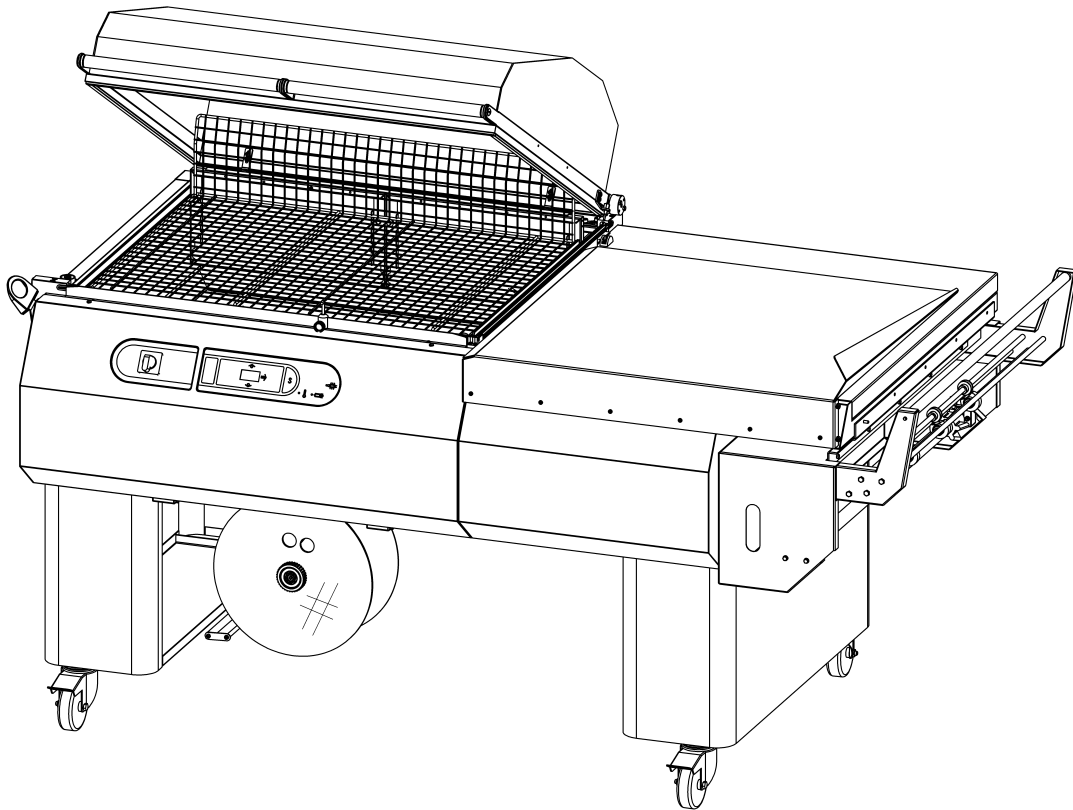


Replay 85 evo

(Machine code: MF35BB20 – MF35BD20 – MF35BH20)

Spare parts catalogue

(Valid from serial number 2131232 dated 02.2021)



CAREFULLY READ THIS CATALOGUE BEFORE ORDERING ANY SPARE PART



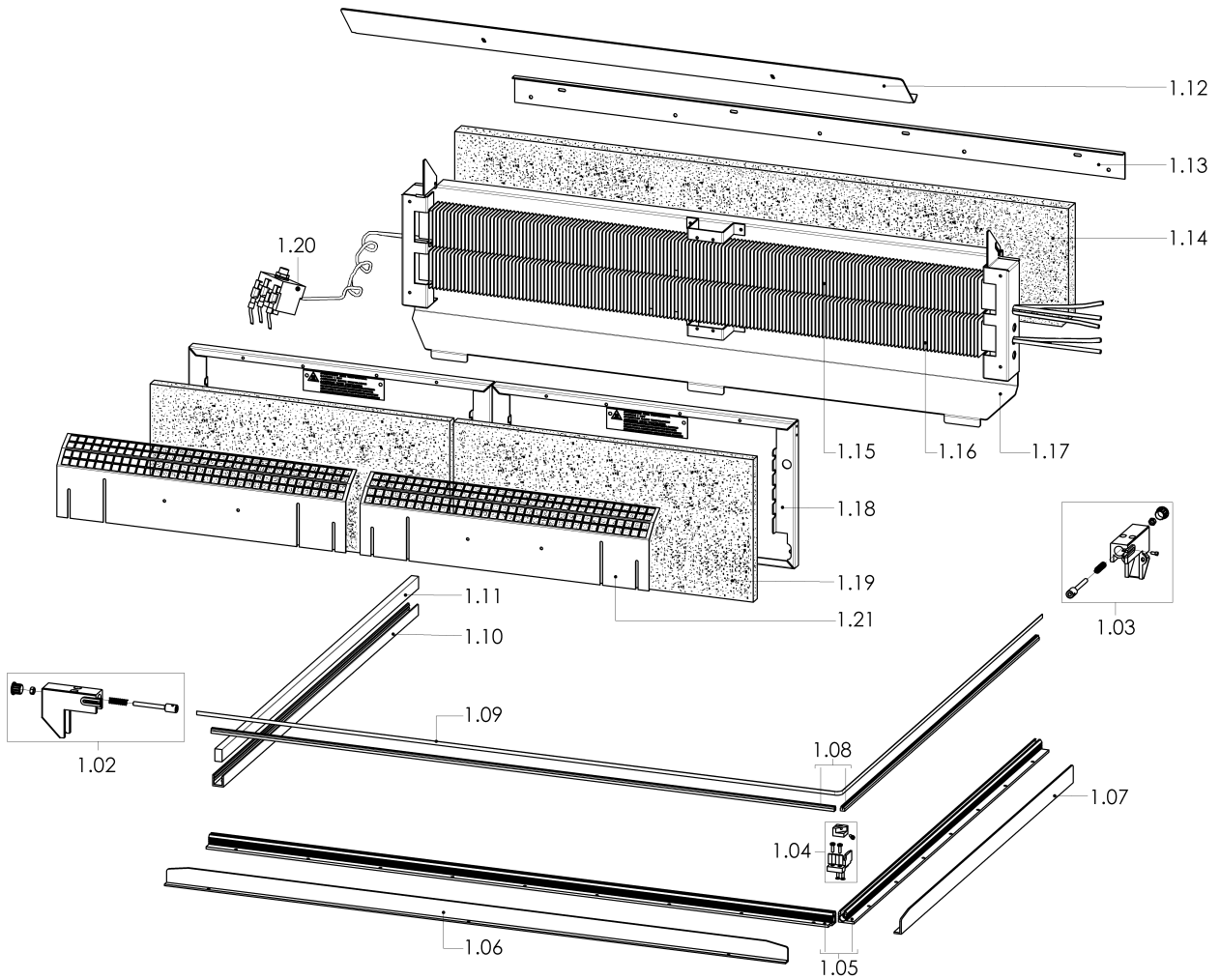
DOC. N. FM112334

REV. 0

Ed: 12.2022

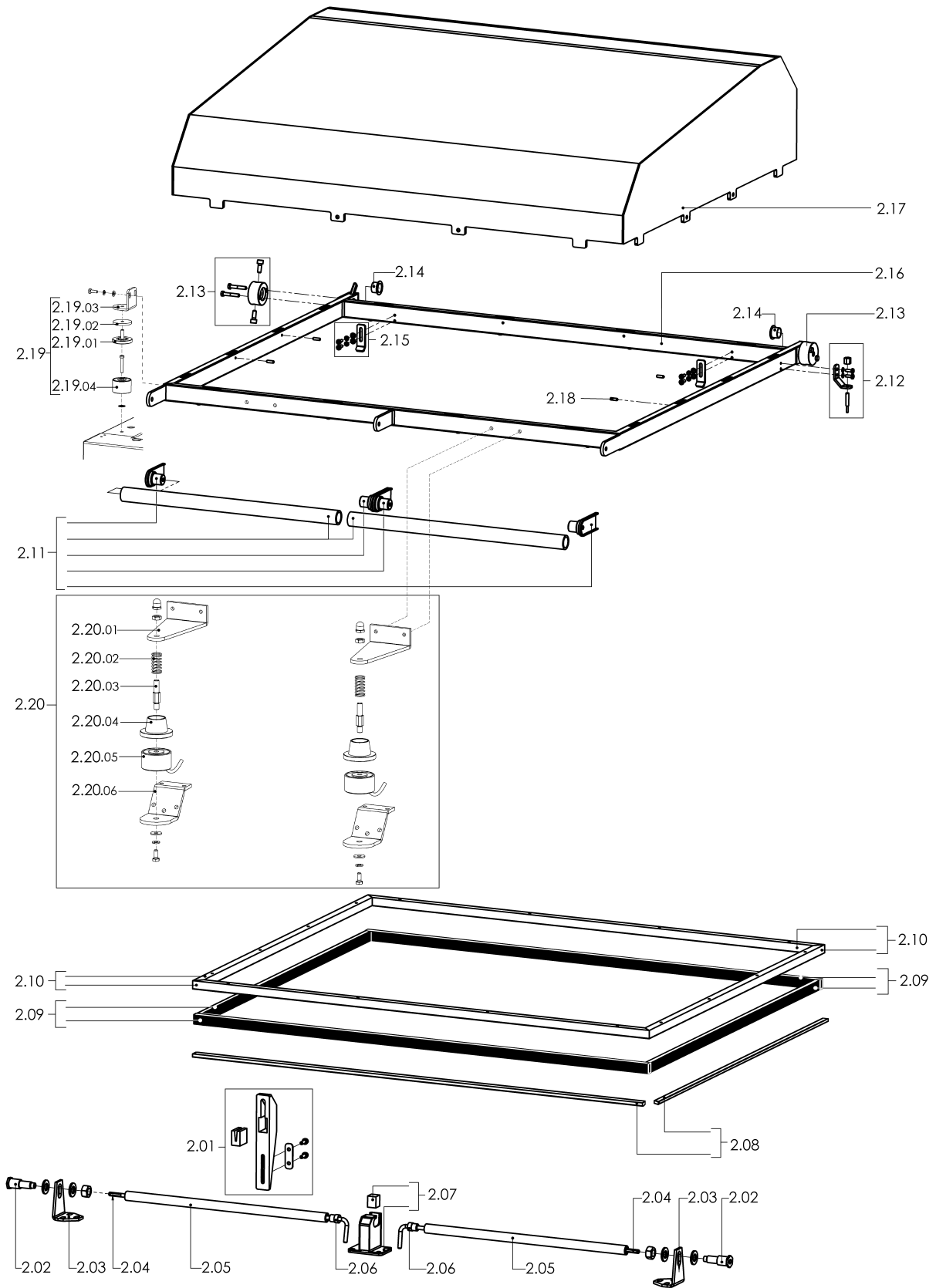
ITEMS DESCRIPTION	SCHEME 1
--------------------------	-----------------

Pos.	Code	Description
1.02	S0K00303	Front clamp kit
1.03	S0K00304	Rear clamp kit
1.04	S03A0306	Blade holder central clamp kit
1.05	S03A0309	Infill holder channel kit
1.06	S03A0901	Front guard kit
1.07	S03A0902	Side guard kit
1.08	S03A0310	Infill blocks kit
1.09	KR030001	Teflon-coated sealing blade
1.10	FM220269	Lower rubber holder side channel
1.11	FM350007	15x10 lg.720mm Neoprene rubber
1.12	FM281521	Heating chamber flap
1.13	FM091186	Rear reinforcement
1.14	FM195116	Rock wool panel
1.15	FE381021	W1700 V220 TC strip resistor
	FE381029	W1700 V380 TC strip resistor
	FE381023	W1700 V200-208 TC strip resistor
1.16	FE381022	W2600 V220 strip resistor
	FE381030	W2600 V380 strip resistor
	FE381024	W2600 V200-208 strip resistor
1.17	FM091331	Heaters rear plate
1.18	FM091333	Heaters front plate
1.19	FM195115	Glass wool panel
1.20	FE430013	Safety thermostat (see Scheme 4, pos. 4.34)
1.21	FM091332	Deflector (optional)



ITEMS DESCRIPTION	SCHEME 2
--------------------------	-----------------

Pos.	Code	Description
2.01	G0K00011	Hood shock absorber kit
2.02	S0K01002	Hood rotation pin kit
2.03	FM290101	Hood support
2.04	FM170003	Torsion bar
2.05	FM250103	Torsion bar tube
2.06	FM340100	Torsion bar bush
2.07	S03A1004	Torsion bar housing kit
2.08	KR030002	Teflon kit
2.09	FM350010	Neoprene rubber 17x10 lg.3190mm
2.10	KR350053	Upper rubber holder channels kit
2.11	S03A0402	Handgrip kit x hood
2.12	S0K00406	Microswitch screw kit
2.13	S0K01001	Torsion bar blocking flange kit
2.14	FM540007	Bush
2.15	S0K00405	Heating chamber flap opening lever kit
2.16	FM300248	Upper hood frame
2.17	FM081030	Upper hood h.200mm (standard)
	FM081035	Upper hood h.300mm (optional)
	FM081036	Upper hood h.490mm (optional)
2.18	FM852207	M4x14 screw
2.19	MR350001	Magnet pressing group (standard)
2.19.01	FM160026	Electromagnet contrast
2.19.02	FM350011	Electromagnet contrast washer
2.19.03	FM280011	Electromagnet contrast square
2.19.04	FE130013	Electromagnet
2.20	KR350050	Sealing magnets kit (optional)
2.20.01	FM290156	Magnet contrast support
2.20.02	FM170105	Compression spring
2.20.03	FM200065	Electromagnet contrast pin
2.20.04	FM160032	Electromagnet contrast
2.20.05	FE130010	Electromagnet
2.20.06	FM290155	Magnet support

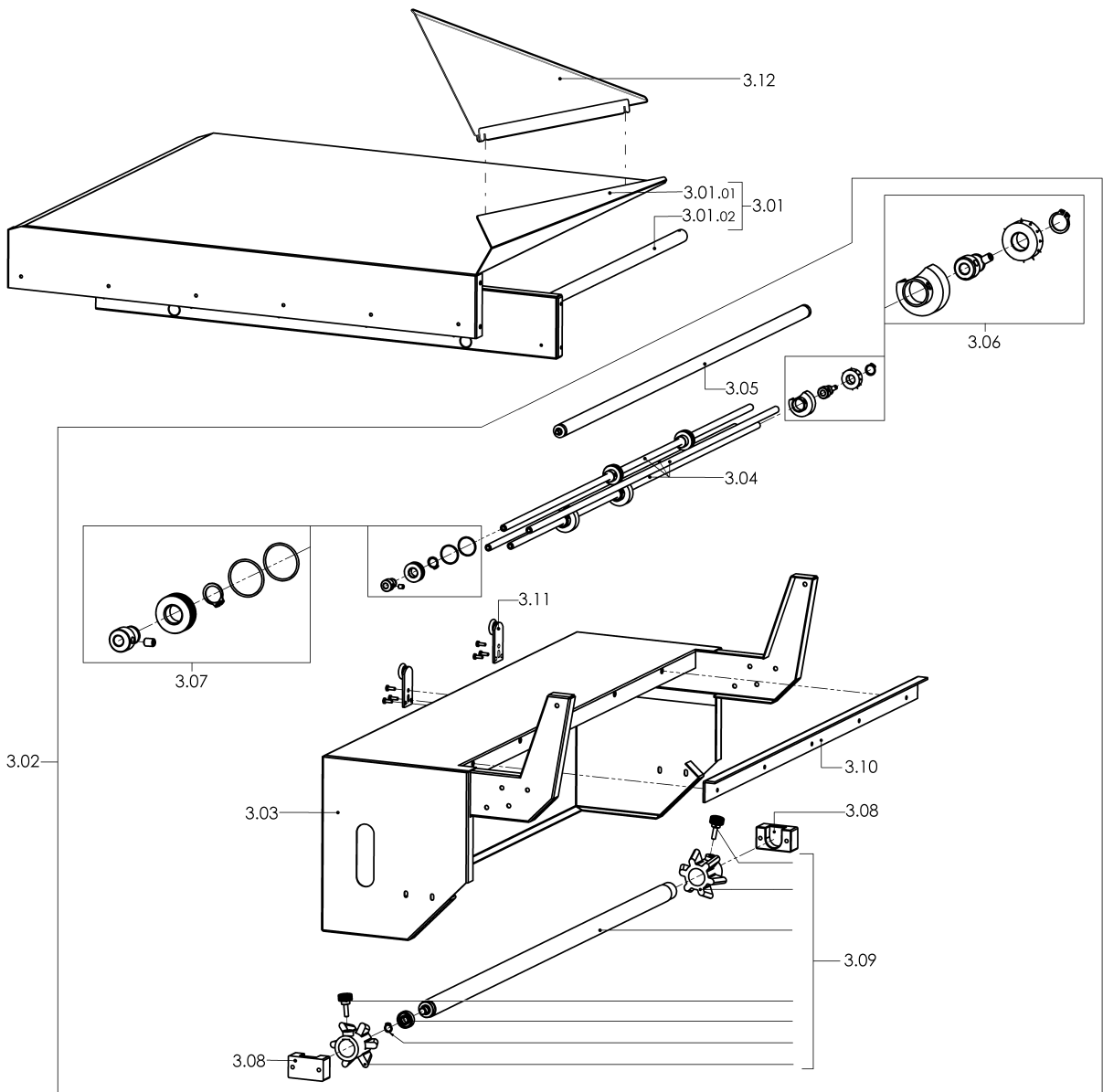


ITEMS DESCRIPTION	SCHEME 3
--------------------------	-----------------

Pos.	Code	Description
MF35BB20 - MF35BH20		
3.01	PC35B001	RAL7035B. packaging plate pre-assembly
3.01.01	FM090178	RAL7035B. packaging plate
3.01.02	FM300003	Packaging plate frame
3.01.01	KR350042	Inox packaging plate (optional)

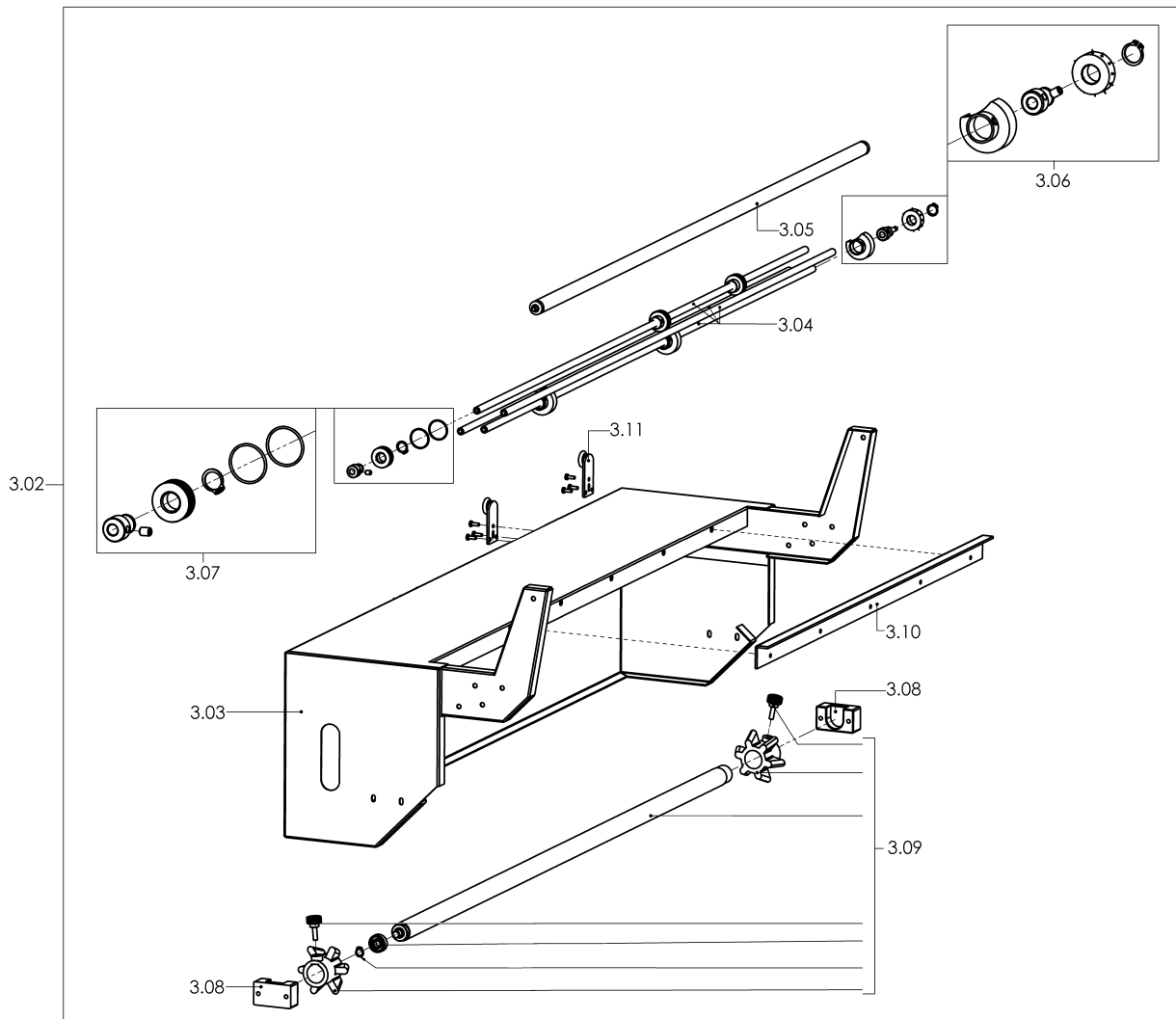
MF35BD20		
3.01	PC03I000	Inox packaging plate pre-assembly
3.01.01	FM091294	Inox packaging plate
3.01.02	FM300003	Packaging plate frame

3.02	PB35B001	RAL7035B. roll support pre-assembly
3.03	FM091190	RAL7035B. roll support
3.04	FM030021	Microperforator rod
3.05	FM710318	Film drive roller
3.06	S03A0605	Microperforator with needles kit
3.07	S0K00608	Slotted microperforator kit
3.08	FM340525	Reel holder roller support
3.09	S03A0602	Film roll tube kit
3.10	FM220501	Roll support guide corner
3.11	FM660002	Wheeled trolley
3.12	FM096540	Film opener tool (optional)



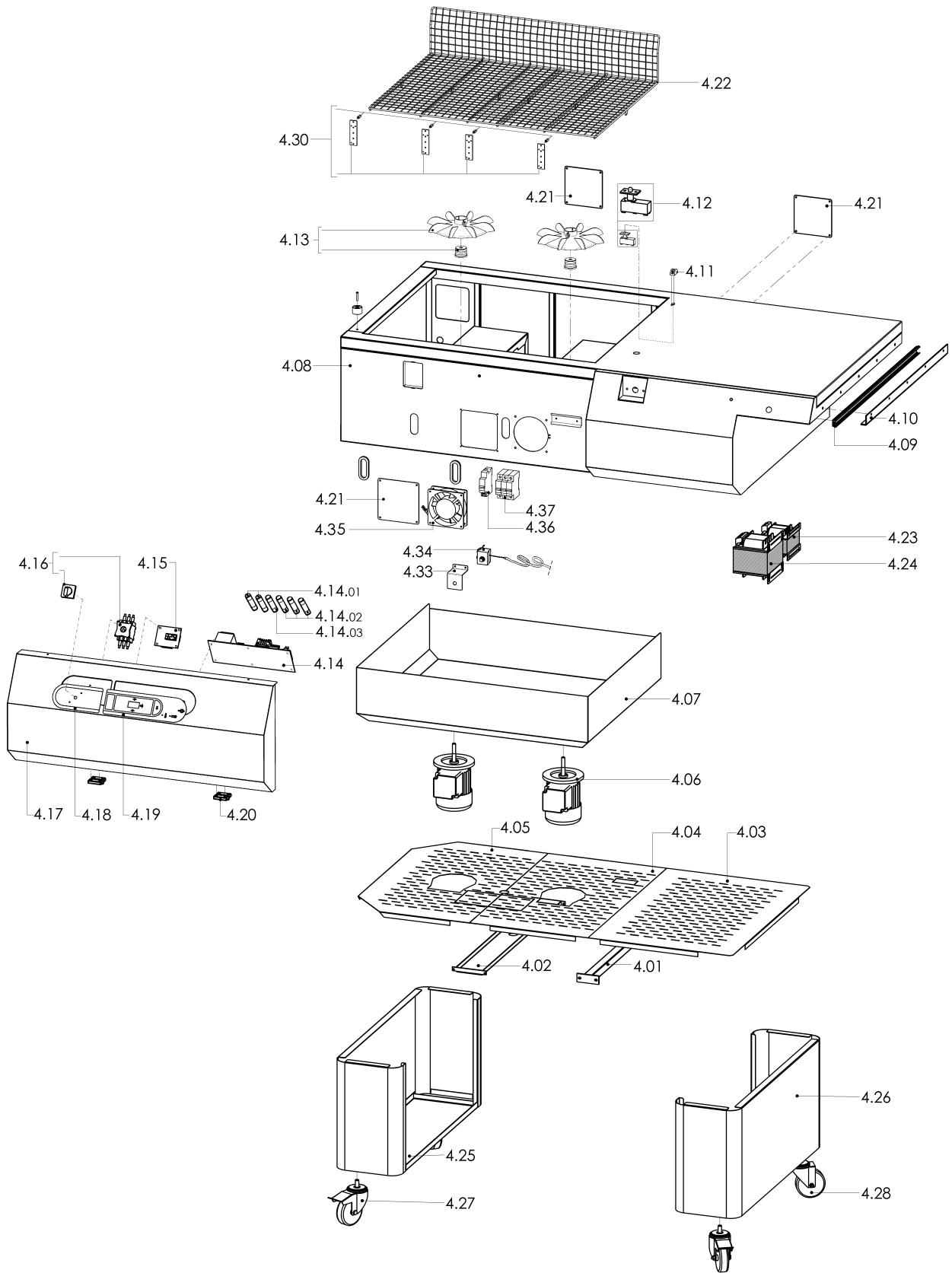
ITEMS DESCRIPTION (Optional)	SCHEME 3.1
---	-------------------

Pos.	Code	Description
3.02	PB35B002	RAL7035B. larger roll support pre-assembly
3.03	FM091199	RAL7035B. larger roll support
3.04	FM030035	Microperforator rod
3.05	FM710313	Film drive roller
3.06	S03A0605	Microperforator with needles kit
3.07	S0K00608	Slotted microperforator kit
3.08	FM340525	Reel holder roller support
3.09	No code	Film roll tube kit
3.10	FM220501	Roll support guide corner
3.11	FM660002	Wheeled trolley



ITEMS DESCRIPTION	SCHEME 4
--------------------------	-----------------

Pos.	Code	Description
4.01	FM300018	Crosspiece
4.02	FM300141	Rewinder crosspiece
4.03	FM090665	Right lower cover
4.04	FM090627	Central lower cover
4.05	FM090626	Left lower cover
4.06	FE240004 FE240005 FE240006	Motor 200V 50Hz 3Ph Motor 208V 60Hz 3Ph Motor 230-400V 50Hz 3Ph
4.07	FM091324	Lower hood
4.08	FM091435	RAL7035B. grey fairing
4.09	FM140001	"ROLLGE 150" channel
4.10	FM220501	Guide corner
4.11	FM230002	Microswitch guard
4.12	S0K01208	Hood microswitch kit
4.13	S0K01115	Fan kit
4.14	FE120257 FE120262	Power board (400V) Power board (200-208-230V)
4.14.01	FE290405 FE290402	Fuse 10.3X38 AM 10A (200-208-230V) Fuse 10.3X38 AM 4A (400V)
4.14.02	FE290409 FE290407	Fuse 10.3X38 AM 25A (200-208-230V) Fuse 10.3X38 AM 16A (400V)
4.14.03	FE290402 FE290401	Fuse 10.3X38 AM 4A (200-208-230V) Fuse 10.3X38 AM 2A (400V)
4.15	FE120261	Control board
4.16	FE080001 FE080000	Switch 20A (400V) Switch 32A (200-208-230V)
4.17	FM091429	RAL2004B. grey front panel
4.18	FM110340	Push button panel adhesive
4.19	FE120601	Membrane keyboard
4.20	FM510084	Hinge
4.21	FM091148	RAL7035B. grey panel
4.22	FM130003	Reticulated plate
4.23	FE440026 FE440025	Transformer 400VA (400V) Transformer 400VA (200-208-230V)
4.24	FE440628 FE440627	Transformer 2500VA (400V) Transformer 2500VA (200-208-230V)
4.25	FM095796	RAL7035B. grey machine left support
4.26	FM095794	RAL7035B. grey machine right support
4.27	FM770512	Wheel Ø100 with brake
4.28	FM770511	Wheel Ø100
4.30	S03A1301	Screened plate front support
4.33	FM095966	Support
4.34	FE430013	Safety thermostat (see Scheme 1, pos. 1.20)
4.35	FE260020	Ventilator
4.36	FE190100	Shunt trip
4.37	FE190115 FE190116	Automatic switch 10A (400V) Automatic switch 16A (200-208-230V)

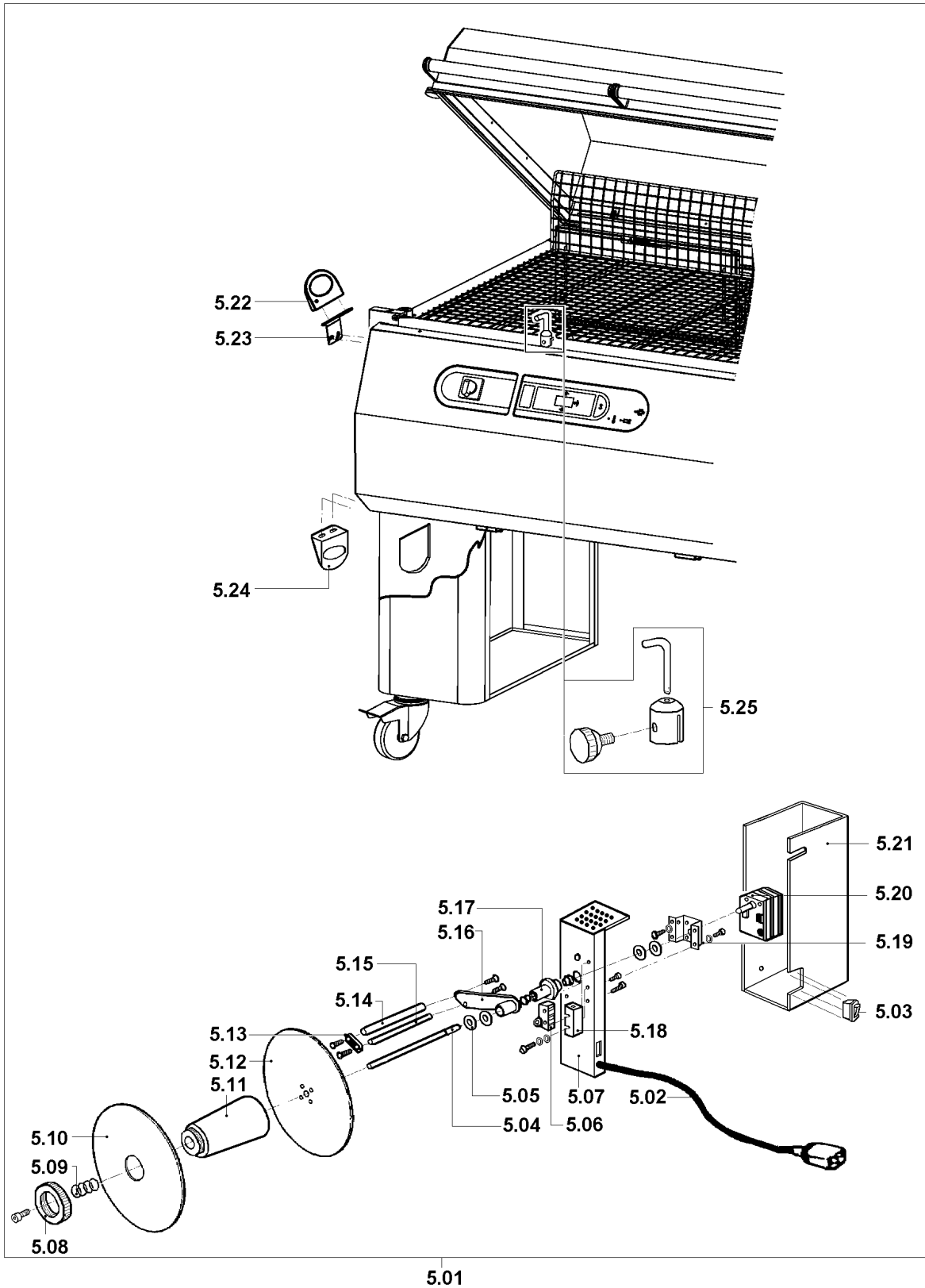


ITEMS DESCRIPTION (Optional)	SCHEME 5
---	-----------------

Old rewinder: valid up to s.n. **xxxxxx**

Pos.	Code	Description
5.01	AV030003	Rewinder group (optional)
5.02	FE310120	Cable 3x0,75x1500
5.03	FE190032	Switch
5.04	FM010041	Shaft
5.05	FM160111	Washer
5.06	FE220105	Microswitch
5.07	FM290175	Support
5.08	FM160104	Ring nut
5.09	FM170161	Spring
5.10	FM120040	Movable flange
5.11	FM250128	Hub
5.12	FM120041	Fixed flange
5.13	FM280326	Plate
5.14	FM250074	Roller
5.15	FM030076	Rod
5.16	FM060027	Lever
5.17	FM290172	Lever support
5.18	FE220101	Microswitch guard
5.19	FM290107	Gearmotor support
5.20	FE250015	Gearmotor
5.21	FM095138	Case
5.22	FM160231	Film guiding ring
5.23	FM290525	Film guiding ring square
5.24	FM160231	Film guiding ring
5.25	SOK00407	Film guide kit

Old rewinder: valid up to s.n. **xxxxxx**



ITEMS DESCRIPTION	SCHEME 5.1
--------------------------	-------------------

New rewinder: valid from s.n. **XXXXXX**

Pos.	Code	Description
5.01	AV030003	Rewinder group (optional)
5.02	FE310120	Cable 3x0,75x1500
5.03	FE190032	Switch
5.04	FM010001	Shaft
5.05	FM160111	Washer
5.06	FE220105	Microswitch
5.07	FM090211	Motor case
5.08	FM160104	Ring nut
5.09	FM170161	Spring
5.10	FM120040	Movable flange
5.11	FM250128	Hub
5.12	FM120041	Fixed flange
5.13	FM280326	Plate
5.14	FM250074	Roller
5.15	FM030076	Rod
5.16	FM060027	Lever
5.17	FM290172	Lever support
5.18	FE220101	Microswitch guard
5.19	FM291403	Plate
5.20	FE250015	Gearmotor
5.21	FM096519	Case
5.22	FM160231	Film guiding ring
5.23	FM290525	Film guiding ring square
5.24	FM160231	Film guiding ring
5.25	SOK00407	Film guide kit

New rewinder: valid from s.n. **xxxxxx**

