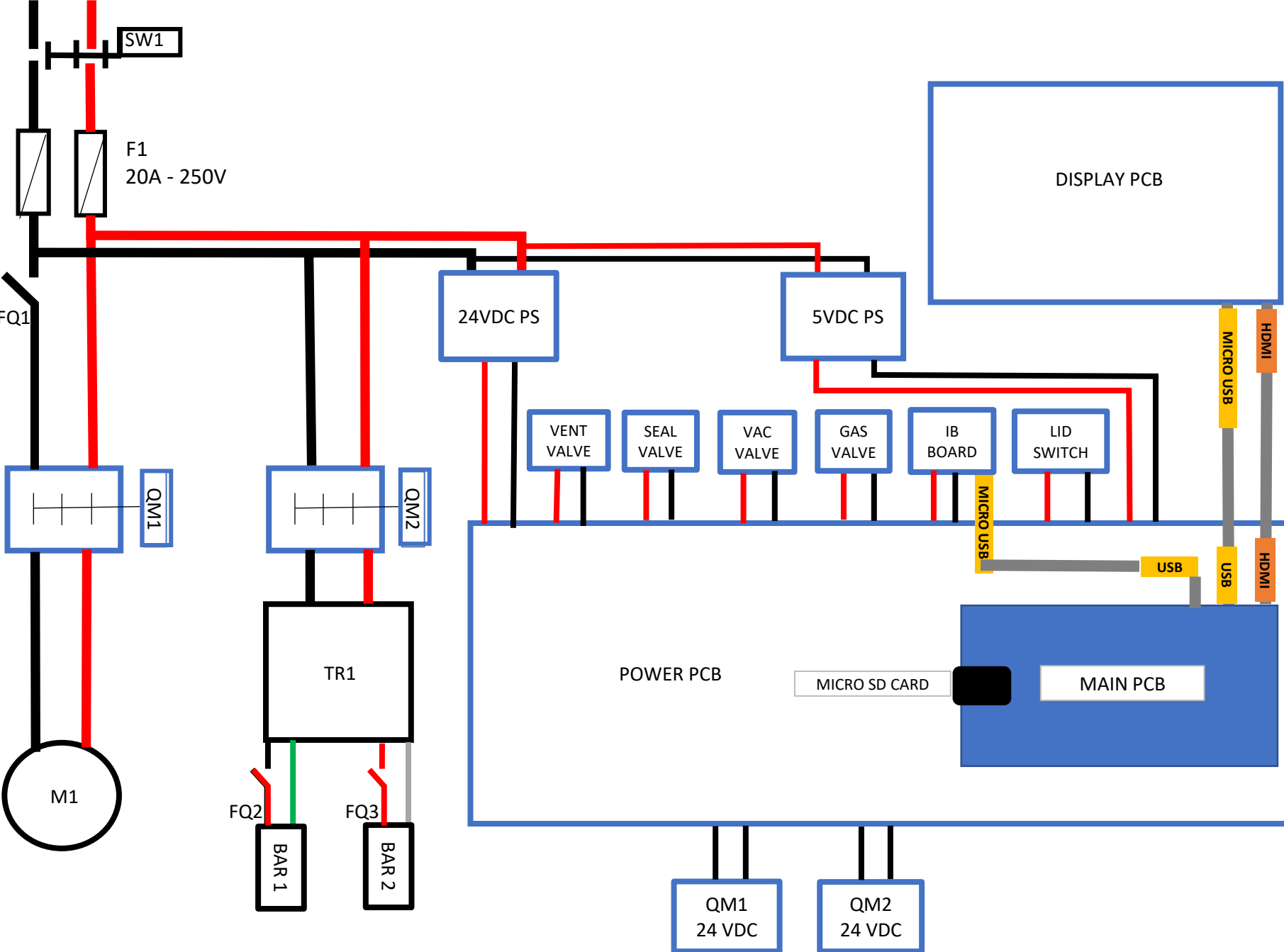


MVS 45XT VacSmart Wiring



24VDC PS	24 volt DC power pack
5VDC PS	5 volt DC power pack
BAR1	Seal bar 1
BAR2	Seal bar 2
MAIN PCB	Main processor board
DISPLAY PCB	Touch screen display PCB
FQ1	Pump safety breaker
FQ2	Seal bar 1 breaker
FQ3	Seal bar 2 breaker
F1	Main fuses
GAS VALVE	Gas Valve
IB BOARD	Interface board
LID SWITCH	Lid micro switches
M1	Pump motor
MICRO SD	Software and data memory card
QM1	Pump motor contactor
QM2	Seal transformer contactor
POWER PCB	Main power/signal PCB
SEAL VALVE	Sealing valve
SW1	Main power switch
TR1	Seal transformer
VAC VALVE	Vac valve
VENT VALVE	Vent/air return valve

Signal power to contactors = 24 VDC

Signal power to valves = 24 VDC